

Quick Reference Spares Guide

Current/Obsolete Industrial Products



Finishing Solutions for the Global Market



Current product index

2



Obsolete product index

61



Manual Spray Guns Binks/DeVilbiss

Advance HD Pressure Spray Gun	3
Advance HD Gravity Cup Gun	4
Advance HD Suction Spray Gun	5
FLG5 Pressure Spray Gun	6
FLG5 Gravity Cup Gun	7
FLG5 Suction Spray Gun	8
GFG HD Gravity Cup Gun	9
GTi HD Pressure Spray Gun	10
GTi HD Gravity Cup Gun	11
GTi HD Suction Spray Gun	12
JGA HD Pressure Spray Gun	13
JGA HD Suction Spray Gun	14
JGA Ceramic Pressure Spray Gun	15
PRi HD Gravity Cup Gun	16
SRi HD Gravity Cup Gun	17
MACH1 PCX	18



Automatic Spray Guns Binks/DeVilbiss

COBRA 1	19
COBRA 2	20
COBRA 3C	21
VIPER	22
460	24
AGMD Pro	23



Airless and AAA Guns Binks

AA4400M	26
A75	27
AA4400A	28
550	25

Electrostatic Guns Ransburg



Solo LP 65kV	29
Solo LP 85kV	30
Solo HP AA90	31
VECTOR LP Cascade	32
VECTOR LP Classic	33
VECTOR HP AA90 Cascade	36
VECTOR HP AA90 Classic	37
No. 2 gun	38
Estaquick	40



Pressure Tanks & Cups Binks



KB-522	41
Stedi Grip	42
83C-210	43
83Z-211	44
183G-1013-CE	45

Diaphragm Pumps Binks

DX70 Diaphragm Pumps	46
DVP Diaphragm Pumps	48



Low Pressure Pumps Binks

1" Transfer Pumps	50
Maple 7/15 Pump	51



Airless and AAA Pumps/Outfits Binks

Air Motors	52
Fluid Pumps	56



Air Fed Respirator DeVilbiss

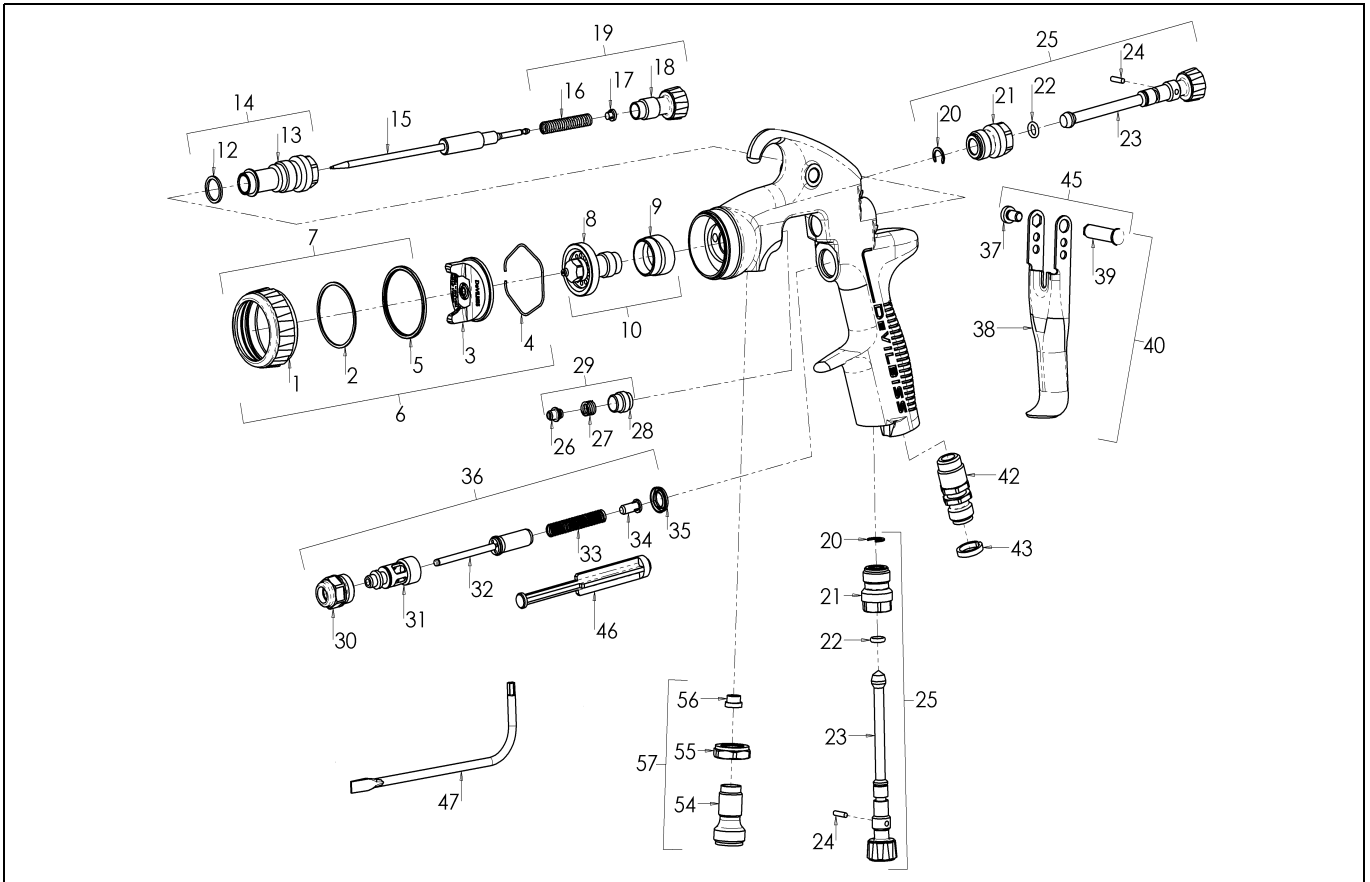
Pro Visor	59
-----------	----

Air Filter/Regulators DeVilbiss



DVFR Regulators and Coalescers	60
--------------------------------	----

Advance HD Pressure



Spare Parts

Ref.	Part no.	Description
1		Air cap retaining ring
2		Slip ring
3		Air cap
4	JGA-156-K5	Air cap retaining ring
5		Retaining ring seal
6		Air cap and ring (see table)
7	ADV-403-K	Air cap retaining ring & seals
8		Fluid nozzle (see table)
9	SP-626-K5	Separator
10		Fluid nozzle kit (see table)
12*		Body bushing seal
13		Body bushing
14	SN-6-K	Body bushing & seal
15		Fluid needle (see table)
16*		Needle spring
17*		Needle spring pad
18		Fluid adjusting knob
19	ADV-6-K	Fluid adjusting knob, spring & pad kit
20*		Retaining Clip
21*		Spreader valve body
22*		Spreader valve seal
23		Spreader valve adjusting knob
24*		Spreader valve pin
25	ADV-401-K	Spreader valve assembly
26*		Needle packing
27*		Packing spring
28*		Packing nut
29	SN-404-K	Packing spring & packing nut kit

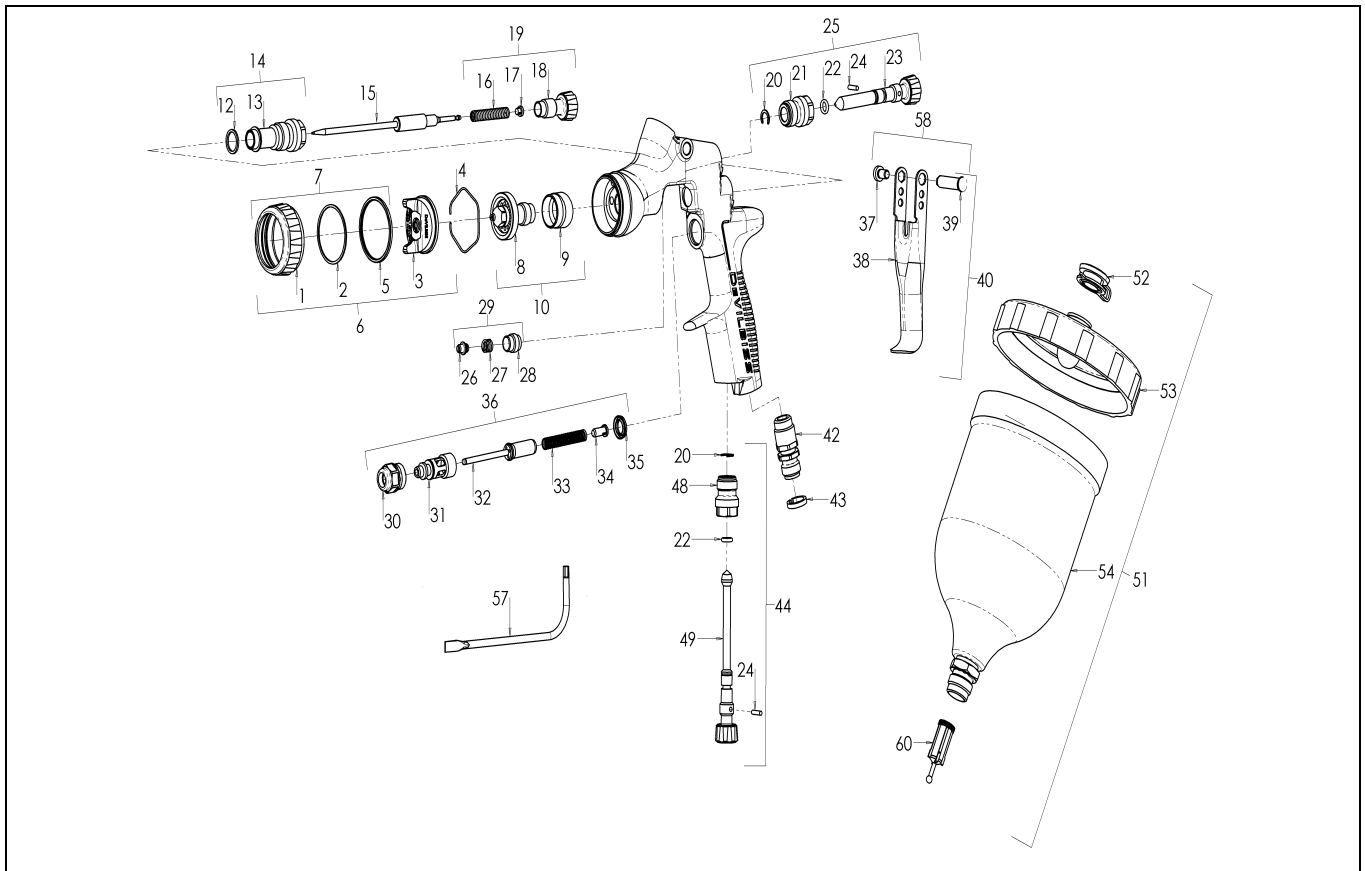
Ref.	Part no.	Description
29a**	ADV-406-K2	Ceramic packing - kit of 2
30		Air valve body
31		Air valve cage
32		Air valve poppet
33		Air valve spring
34		Air valve spring pad
35	SN-34-K5	Air valve seal
36	SN-402-K	Air valve assembly
37*		Trigger stud screw (T20 torx)
38		Trigger
39*		Trigger stud
40	SN-63-K	Trigger stud and screw set
42	SN-9-K	Air inlet
43	SN-26-K4	Colour ID ring kit (4 colours)
45	SN-405-K5	Stud and screw kit
46		Air valve service tool
47	SPN-8-K2	Torx key
54		Fluid inlet connector
55		Lock Nut
56		Seal
57	ADV-7-K	Fluid inlet connector kit
	PRO-415-1	Spray gun repair kit (items marked *)
	GTI-428-K5	Seal and Pin Kit (kit of 5) items 20,22 &24

** Supplied as standard with guns ordered with SP-100-470-K aircap and Tungsten Carbide needle and tip.

Manual Spray Guns

Advance HD Gravity

Manual Guns

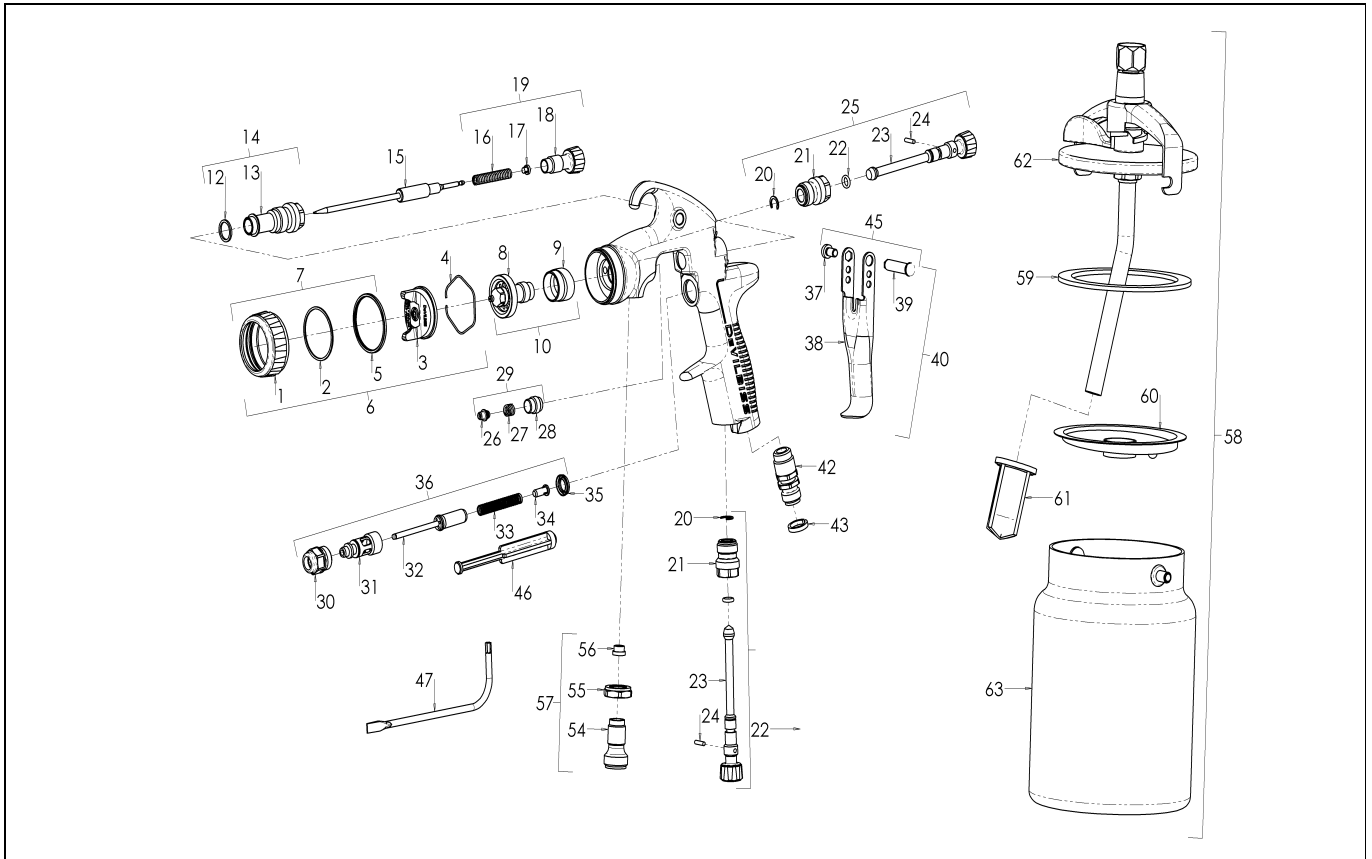


Spare Parts

Ref.	Part no.	Description
1		Air cap retaining ring
2		Slip ring
3		Air cap
4	JGA-156-K5	Air cap retaining ring
5		Retaining ring seal
6		Air cap and ring (see table)
7	ADV-403-K	Air cap retaining ring & seals
8		Fluid nozzle (see table)
9	SP-626-K5	Separator
10		Fluid nozzle kit (see table)
12*		Body bushing seal
13		Body bushing
14	SN-6-K	Body bushing & seal
15		Fluid needle (see table)
16*		Needle spring
17*		Needle spring pad
18		Fluid adjusting knob
19	ADV-6-K	Fluid adjusting knob, spring & pad kit
20*		Retaining Clip
21*		Spreader valve body
22*		Spreader valve seal
23		Spreader valve adjusting adjusting knob
24*		Spreader valve pin
25	ADV-402-K	Spreader valve assembly
26*		Needle packing
27*		Packing spring
28*		Packing nut
29	SN-404-K	Packing spring & packing nut kit

Ref.	Part no.	Description
30		Air valve body
31		Air valve cage
32		Air valve poppet
33		Air valve spring
34		Air valve spring pad
35	SN-34-K5	Air valve seal
36	SN-402-K	Air valve assembly
37*		Trigger stud screw (T20 torx)
38		Trigger
39*		Trigger stud
40	SN-63-K	Trigger stud and screw set
42	SN-9-K	Air inlet
43	SN-26-K4	Colour ID ring kit (4 colours)
44	ADV-401-K	Airflow valve
48		Valve body
49		Valve stem
51	GFC-501	Gravity cup kit
52	GFC-2-K5	Drip check lid (kit of 5)
53	GFC-402	Gravity cup lid
54		Gravity cup
56		Air valve service kit
57	SPN-8-K2	Torx key
58	SN-405-K5	Stud and screw kit
59	SN-406	Spanner
60	KGP-5-K5	Filter (Pack of 5)
	PRO-415-1	Spray gun repair kit (items marked *)
	GTI-428-K5	Seal and Pin Kit (kit of 5) items 20,22 &24

Advance HD Suction



Spare Parts

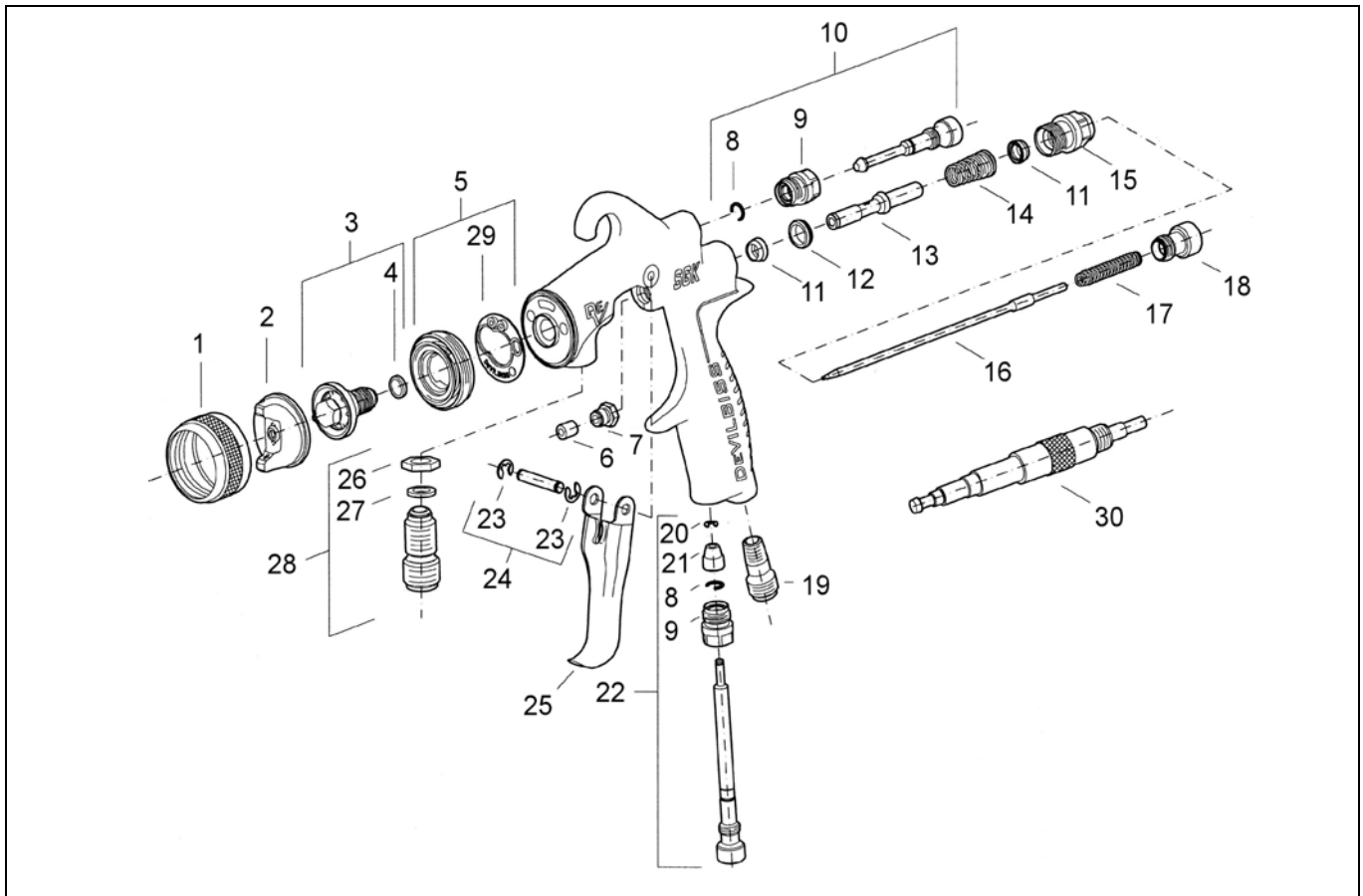
Ref.	Part no.	Description
1		Air cap retaining ring
2		Slip ring
3		Air cap
4	JGA-156-K5	Air cap retaining ring
5		Retaining ring seal
6		Air cap and ring (see table)
7	ADV-403-K	Air cap retaining ring & seals
8		Fluid nozzle (see table)
9	SP-626-K5	Separator
10		Fluid nozzle kit (see table)
12*		Body bushing seal
13		Body bushing
14	SN-6-K	Body bushing & seal
15		Fluid needle (see table)
16*		Needle spring
17*		Needle spring pad
18		Fluid adjusting knob
19	ADV-6-K	Fluid adjusting knob, spring & pad kit
20*		Retaining Clip
21*		Spreader valve body
22*		Spreader valve seal
23		Spreader valve adjusting adjusting knob
24*		Spreader valve pin
25	ADV-401-K	Spreader valve assembly
26*		Needle packing
27*		Packing spring
28*		Packing nut
29	SN-404-K	Packing spring & packing nut kit

Ref.	Part no.	Description
30		Air valve body
31		Air valve cage
32		Air valve poppet
33		Air valve spring
34		Air valve spring pad
35	SN-34-K5	Air valve seal
36	SN-402-K	Air valve assembly
37*		Trigger stud screw (T20 torx)
38		Trigger
39*		Trigger stud
40	SN-63-K	Trigger stud and screw set
42	SN-9-K	Air inlet
43	SN-26-K4	Colour ID ring kit (4 colours)
45	SN-405-K5	Stud and screw kit
46		Air valve service tool
47	SPN-8-K2	Torx key
54		Fluid inlet connector
55		Lock Nut
56		Seal
57	ADV-7-K	Fluid inlet connector kit
58	KR-566-1-B	Suction cup complete with lid
59	KR-11-K3	Cup lid gasket - kit of 3
60	KR-115-K5	Drip check diaphragm - kit of 5
61	KR-484-K10	Filter - Kit of 10
62	KR-4001-B	Lid assembly
63	KR-466-K	Cup
	PRO-415-1	Spray gun repair kit (items marked *)
	GTI-428-K5	Seal and Pin Kit (Kit of 5) items 20,22 &24

Manual Spray Guns

FLG-5 Pressure spray gun

Manual Guns

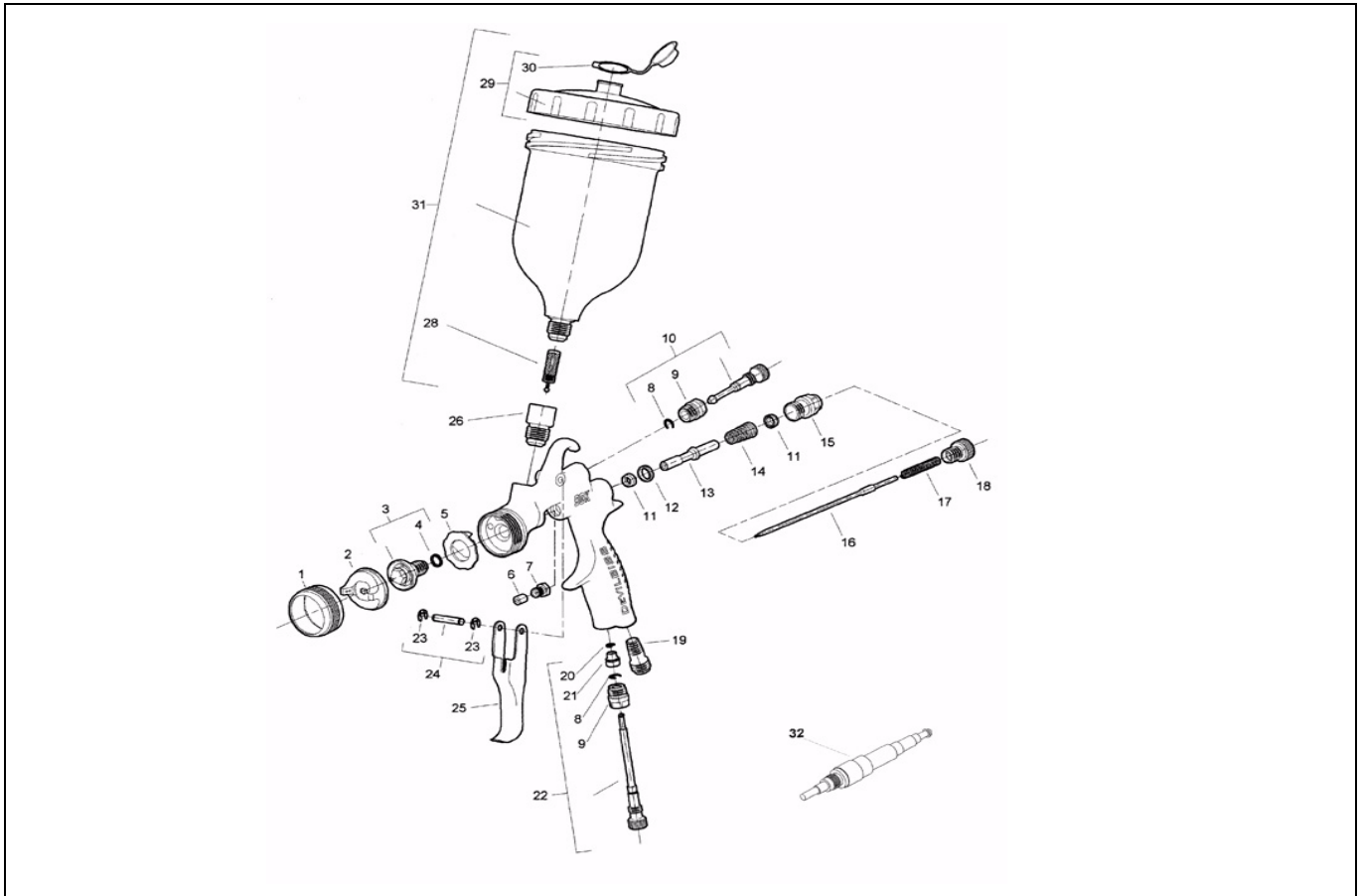


Spare parts

Ref.	Part no.	Description
1	SGK-0023	Retaining ring
2	FLG-0001-622	Air cap No 622
3	SGK-0012-14	Fluid Needle 1.4 mm
4 ¹⁾	-	Gasket
5 ²⁾	K-5032	Spray head kit
6 ¹⁾	-	Packing
7	-	Packing gland
8	-	Snap ring
9	-	Spray pattern adjustment valve housing
10	-	Spray pattern valve
11 ¹⁾	-	U-cup seal
12 ¹⁾	-	Air valve seat
13 ¹⁾	-	Air valve stem
14 ¹⁾	-	Air valve spring
15	-	Air valve bushing
16	SGK-0402-14	Fluid needle 1.4 mm
17	-	Fluid needle spring
18	-	Fluid adjustment knob

Ref.	Part no.	Description
19	-	Nipple
20	-	Circlip
21	-	Air regulating valve head
22	-	Air regulating valve assembly
23	-	Circlip
24	-	Trigger pin assembly
25	-	Trigger
26	-	Nut
27	-	Washer
28	-	Nipple assembly fluid
29 ¹⁾²⁾	-	Gasket
30 ¹⁾	-	Assembly tool kit
1)	K-5044	Replacement for seal, air distributing ring and seal ring, items 4, 6, 11, 12, 13, 14, 29,30
2)	K-5032	Replacement for air distributing ring kit, items 4,5, 29

FLG-5 Gravity spray gun



Spare parts

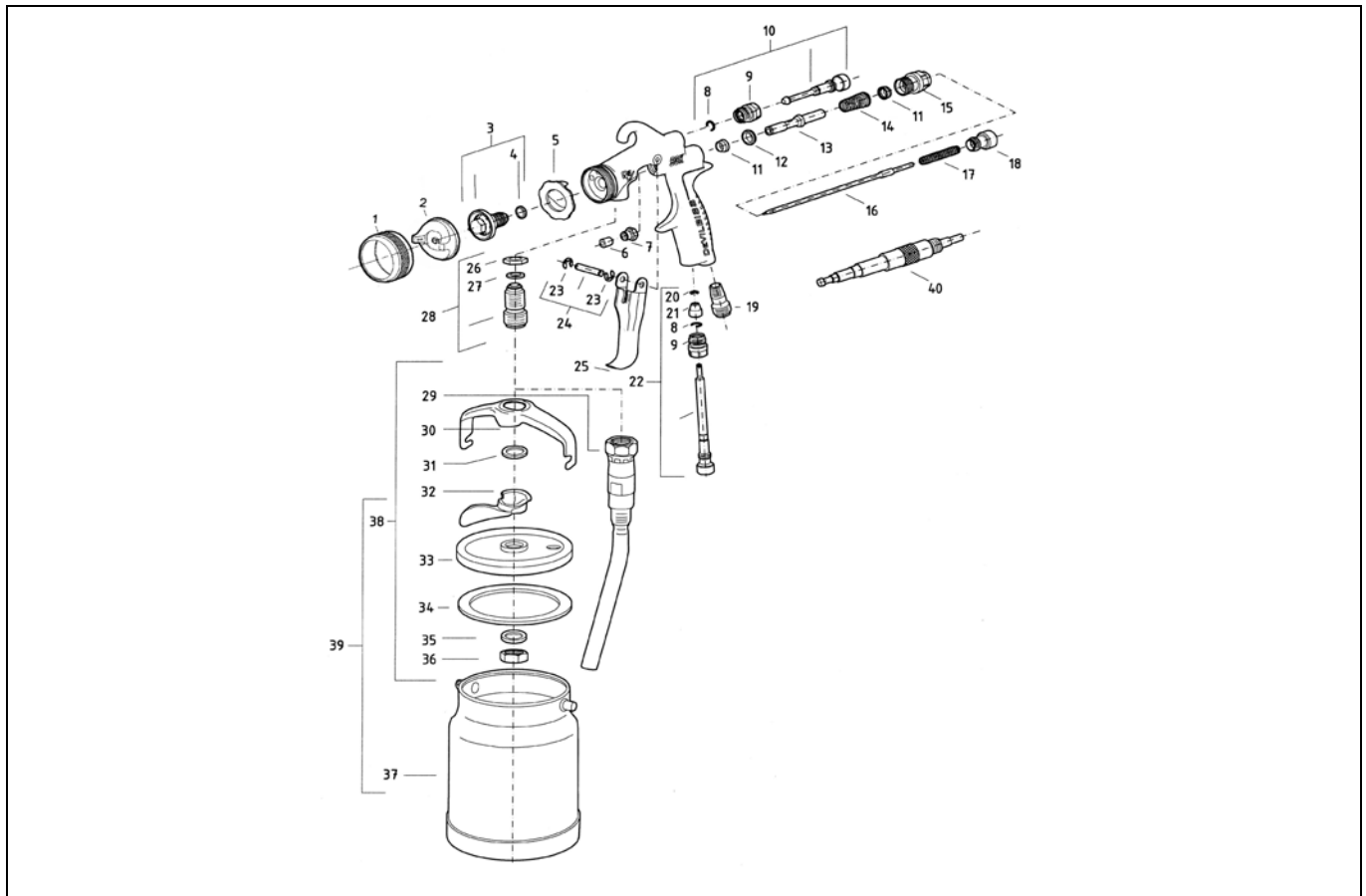
Ref.	Part no.	Description
1	SGK-0023	Retaining ring
2	FLG-0001-5	Air cap
3	SGK-0012-14	Fluid nozzle 1.4 mm
	SGK-0014-18	Fluid nozzle 1.8mm
	SGK-0012-20	Fluid nozzle 2.0 mm
4 ¹⁾ 2)	-	Gasket
5 ¹⁾ 2)	-	Baffle
6 ¹⁾	-	Packing
7	-	Packing gland nut
8	-	Retaining ring
9	-	Spray pattern adjustment valve housing
10	-	Spray pattern valve
11 ¹⁾	-	U-cup Seal
12 ¹⁾	-	Air valve seat
13 ¹⁾	-	Air valve stem
14 ¹⁾	-	Air valve spring
15	-	Insert
16	SGK-0414	Needle 1.4 mm
	SGK-0418	Needle 1.8 mm
	SGK-0420	Needle 2.0 mm

Ref.	Part no.	Description
17	-	Needle spring
18	-	Fluid adjusting knob
19	-	Air inlet nipple
20	-	Retaining ring
21	-	Air adjusting valve head
22	-	Air adjusting valve assembly
23	-	Retaining ring
24	-	Bracket axle with screw
25	-	Trigger
26	-	Fluid nipple
28	KGP-5-K5	Filter (Pack of 5)
29	GFC-402	Lid assembly
30	GFC-2-K5	Drip free vent lid(Pack of 5)
31	GFC-501	Gravity cup 0.6 l assembly
32 ¹⁾	-	Assembly tool
1)	K-5040	Seals and air distributing ring kit, items 4, 5, 6, 11, 12, 13, 14, 32
2)	K-5030	Air distributing ring kit, items 4, 5

Manual Spray Guns

FLG-5 Suction spray gun

Manual Guns

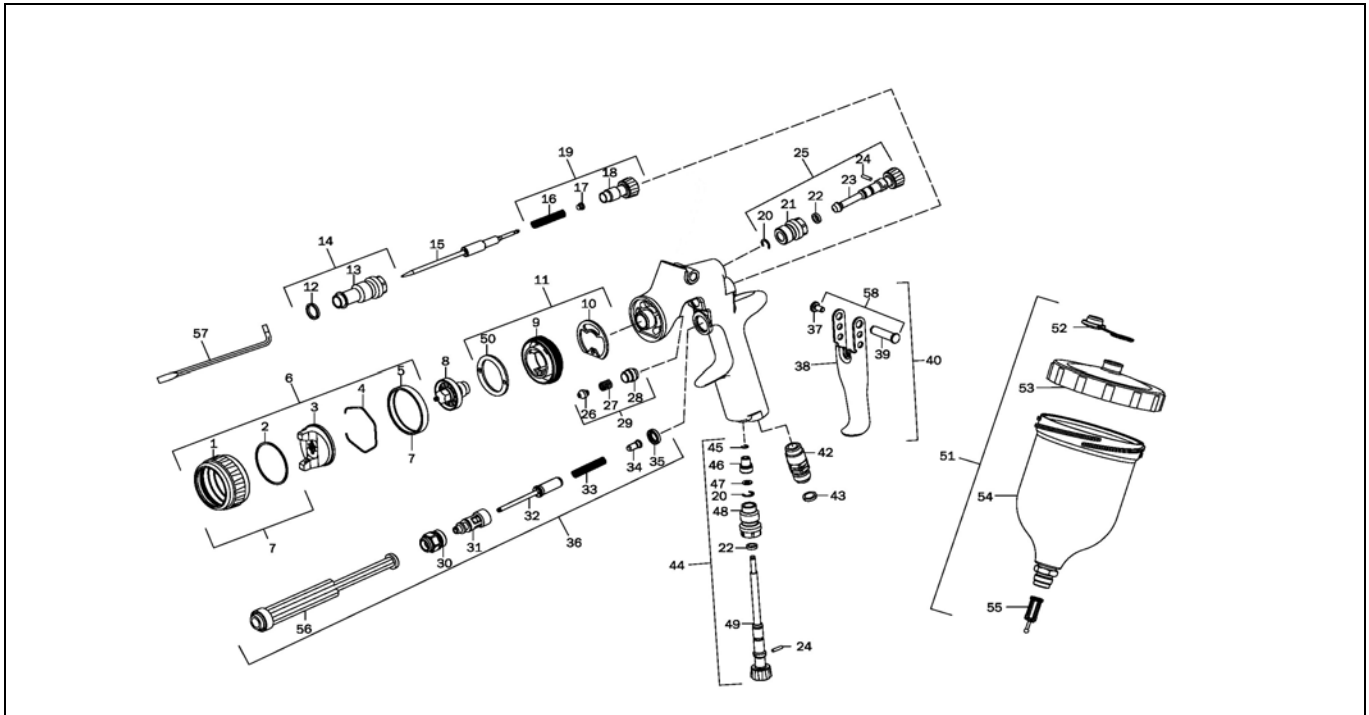


Spare parts

Ref.	Part no.	Description
1	SGK-0023	Retaining ring
2	FLG-0001-5	Air cap
3	SGK-0014-18	Fluid tip 1.8 mm
4 ^{1) 2)}	-	Gasket
5 ^{1) 2)}	-	Baffle
6 ¹⁾	-	Packing
7	-	Packing gland nut
8	-	Retaining ring
9	-	Spray pattern adjustment valve housing
10	-	Spray pattern valve
11 ¹⁾	-	U-cup seal
12 ¹⁾	-	Air valve seat
13 ¹⁾	-	Air valve shaft
14 ¹⁾	-	Air valve spring
15	-	Insert
16	SGK-0430-18	Needle 1.8 mm
17	-	Needle spring
18	-	Fluid adjusting knob
19	-	Nipple
20	-	Retaining ring
21	-	Air adjusting valve
22	-	Air regulating valve assembly

Ref.	Part no.	Description
23	-	Trigger pin assembly
24	-	Bracket axle with screw
25	-	Trigger
26	-	Nut
27	-	Washer
28	-	Nipple assembly fluid
29	-	Fluid tube 3/8"
30	-	Yoke
31	-	Washer
32	-	Cam
33	-	Lid
34	-	Gasket
35	-	Washer
36	-	Nut
37	-	Cup 1l
38	-	Lid assembly
39	-	Cup assembly
40 ¹⁾	-	Assembly tool
1)	K-5040	Seal and air distributing ring kit, for items 4, 5, 6, 11, 12, 13, 14, 40
2)	K-5030	Air distributing ring kit, for items 4, 5

GFG HD Gravity Spray Gun
(Conventional)



Spare parts

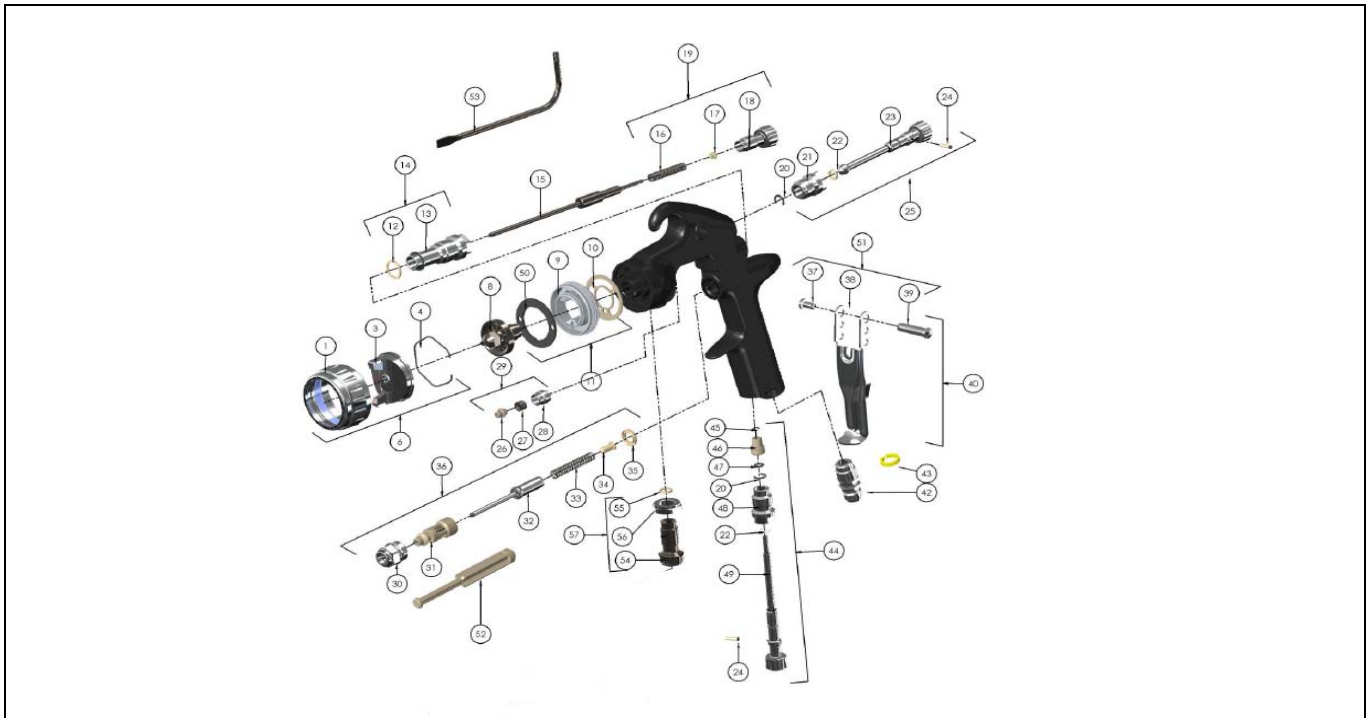
Ref.	Part no.	Description
1		Air cap retaining ring
2		Slip ring
3		Air cap
4	JGA-156-K5	Air cap retaining ring
5		Retaining ring
6	PROC-120-C1-K	C1 air cap and ring
	PROC-120-C2-K	C2 air cap and ring
7	PRO-405-K	Air cap retaining ring & seals
8	PROC-220-...-K	Fluid nozzle (see table)
9		Spray head
10*	SN-18-1-K2	Spray head seal (kit of 2)
11	SN-17-1-K	Spray head and seal kit
12*		Body bushing seal
13		Body bushing
14	SN-6-K	Body bushing & seal
15	GFGPRO-320-K	Fluid needle
16*		Needle spring
17		Needle spring pad
18		Fluid adjusting knob
19	PRO-3-K	Fluid adjusting knob, spring & pad kit
20*		Retaining Clip
21		Spreader valve body
22*		Spreader valve seal
23		Spreader valve adjusting adjusting knob
24*		Spreader valve pin
25	PRO-402-K	Spreader valve assembly
26*		Needle packing
27*		Packing spring
28		Packing nut
29	SN-404-K	Packing spring & packing nut kit
30		Air valve body

Ref.	Part no.	Description
31		Air valve cage
32		Air valve poppet
33		Air valve spring
34		Air valve spring pad
35	SN-34-K5	Air valve seal
36	SN-402-K	Air valve assembly
37*		Trigger stud screw (T20 torx)
38		Trigger
39*		Trigger stud
40	SN-21-K	Trigger stud and screw set
41		Plug
42	SN-40-K	Air inlet
43	SN-26-K4	Colour ID ring kit (4 colours)
44	PRO-411-K	Air flow valve
45		Circlip
46		Valve head
47		Washer
48		Valve body
49		Valve stem
50	SN-41-K	Baffle plate
51	GFC-501	Gravity cup kit
52	GFC-2-K5	Drip check lid (kit of 5)
53	GFC-402	Gravity cup lid
54		Gravity cup
55	KGP-5-K5	Filter
56		Air valve service kit
57	SPN-8-K2	Torx key
58	SN-405-K5	Stud and screw kit
	PRO-415-1	Spray gun repair kit (includes items marked *)
	GTI-428-K5	Seal and pin kit (items 20,22 & 24) kit of 5

Manual Spray Guns

GTi HD Pressure Spray Gun (Trans-Tech)

Manual Guns

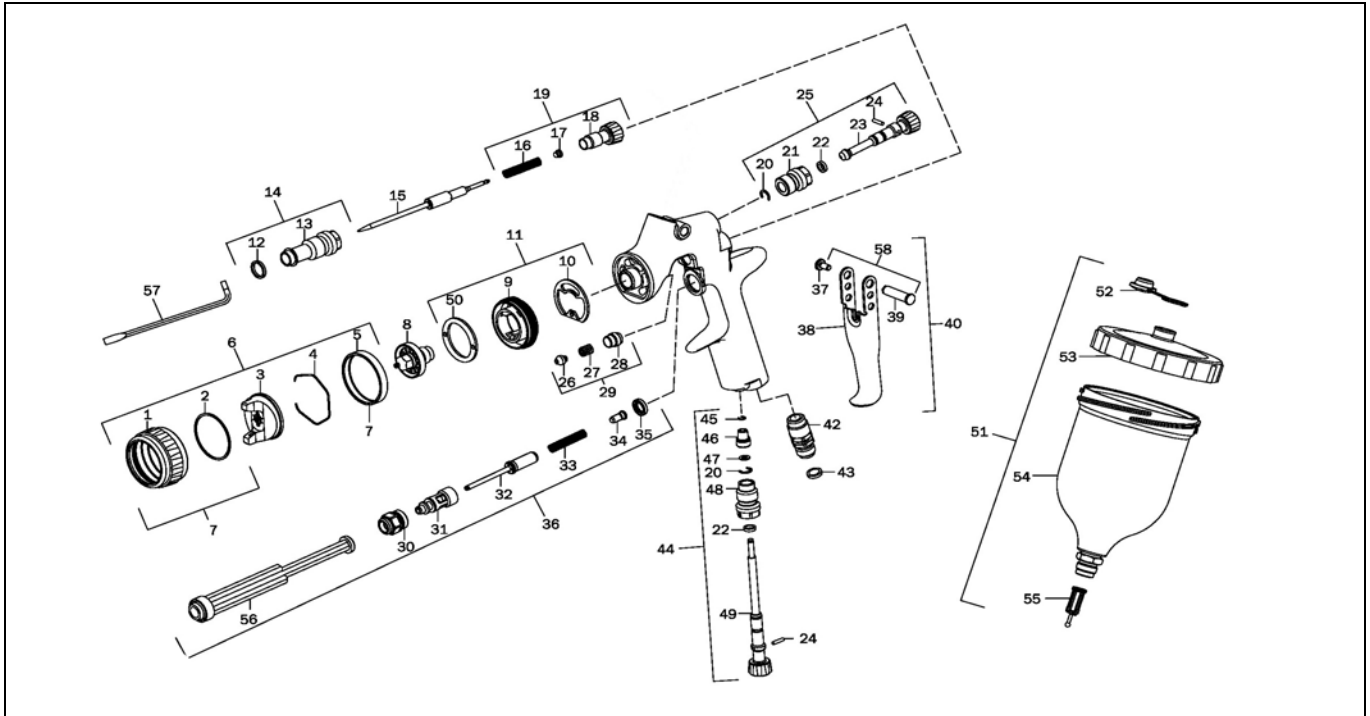


Spare parts

Ref.	Part no.	Description
1	PRO-405-K	Air cap retaining ring
3		Air cap
4	JGA-156-K5	Air cap retaining ring
6		Air cap and ring (see table)
8	PRO-....-K	Fluid nozzle (see table)
9		Spray head
10*	SN-18-1-K2	Spray head seal (kit of 2)
11	SN-17-1-K	Spray head and seal kit
12*		Body bushing seal
13		Body bushing
14	SN-6-K	Body bushing & seal
15		Fluid needle (see table)
16*		Needle spring
17		Needle spring pad
18		Fluid adjusting knob
19	PRO-3-K	Fluid adjusting knob, spring & pad kit
20*		Retaining Clip
21		Spreader valve body
22*		Spreader valve seal
23		Spreader valve adjusting knob
24*		Spreader valve pin
25	PRO-404-K	Spreader valve assembly
26*		Needle packing
27*		Packing spring
28		Packing nut
29	SN-404-K	Packing spring & packing nut kit
30		Air valve body
31		Air valve cage
32		Air valve poppet
33		Air valve spring
34		Air valve spring pad

Ref.	Part no.	Description
35	SN-34-K5	Air valve seal
36	SN-402-K	Air valve assembly
37*		Trigger stud screw (T20 torx)
38		Trigger
39*		Trigger stud
40	SN-21-K	Trigger stud and screw set
42	SN-40-K	Air inlet
43	SN-26-K4	Colour ID ring kit (4 colours)
44	PRO-411-K	Airflow valve
45		Circlip
46		Valve head
47		Washer
48		Valve body
49		Valve stem
50	SN-41-K	Baffle plate
51	SN-405-K5	Stud and screw kit
52		Air valve service kit
53	SPN-8-K2	Torx key
54		Fluid inlet connector
55		Lock nut
56		Seal
57	PRO-12-K	Fluid inlet connector kit
	PRO-415-1	Spray gun repair kit (includes items marked *)
	GTI-428-K5	Seal and pin kit (items 20,22 & 24) kit of 5

GTi HD Gravity Spray Gun
(HVLP or Trans-Tech)



Spare parts

Ref.	Part no.	Description
1		Air cap retaining ring
2		Slip ring
3		Air cap
4	JGA-156-K5	Air cap retaining ring
5		Retaining ring seal
6		Air cap and ring (see table)
7	PRO-405-K	Air cap retaining ring & seals
8	PRO-200...-K	Fluid nozzle (see table)
9		Spray head
10*	SN-18-1-K2	Spray head seal (kit of 2)
11	SN-17-1-K	Spray head and seal kit
12*		Body bushing seal
13		Body bushing
14	SN-6-K	Body bushing & seal
15	PRO-300-K	Fluid needle
16*		Needle spring
17		Needle spring pad
18		Fluid adjusting knob
19	PRO-3-K	Fluid adjusting knob, spring & pad kit
20*		Retaining Clip
21		Spreader valve body
22*		Spreader valve seal
23		Spreader valve adjusting adjusting knob
24*		Spreader valve pin
25	PRO-402-K	Spreader valve assembly
26*		Needle packing
27*		Packing spring
28		Packing nut
29	SN-404-K	Packing spring & packing nut kit
30		Air valve body
31		Air valve cage

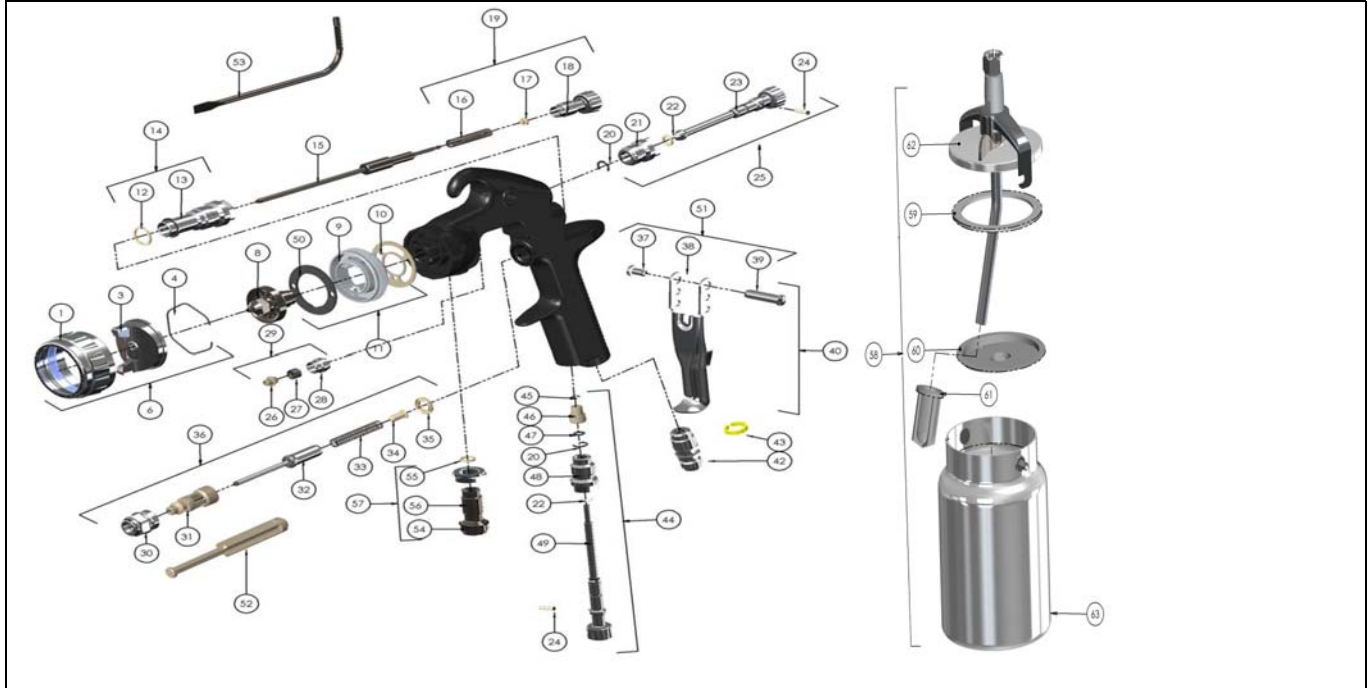
Ref.	Part no.	Description
32		Air valve poppet
33		Air valve spring
34		Air valve spring pad
35	SN-34-K5	Air valve seal
36	SN-402-K	Air valve assembly
37*		Trigger stud screw (T20 torx)
38		Trigger
39*		Trigger stud
40	SN-21-K	Trigger stud and screw set
41		Plug
42	SN-40-K	Air inlet
43	SN-26-K4	Colour ID ring kit (4 colours)
44	PRO-411-K	Airflow valve
45		Circlip
46		Valve head
47		Washer
48		Valve body
49		Valve stem
50	SN-41-K	Baffle plate
51	GFC-501	Gravity cup kit
52	GFC-2-K5	Drip check lid (kit of 5)
53	GFC-402	Gravity cup lid
54		Gravity cup
55	KGP-5-K5	Filter
56		Air valve service kit
57	SPN-8-K2	Torx key
58	SN-405-K5	Stud and screw kit
PRO-415-1		Spray gun repair kit (includes items marked *)
GTI-428-K5		Seal and pin kit (items 20,22 & 24) kit of 5

Manual Spray Guns

GI HD Suction Spray Gun

(Trans-Tech)

Manual Guns

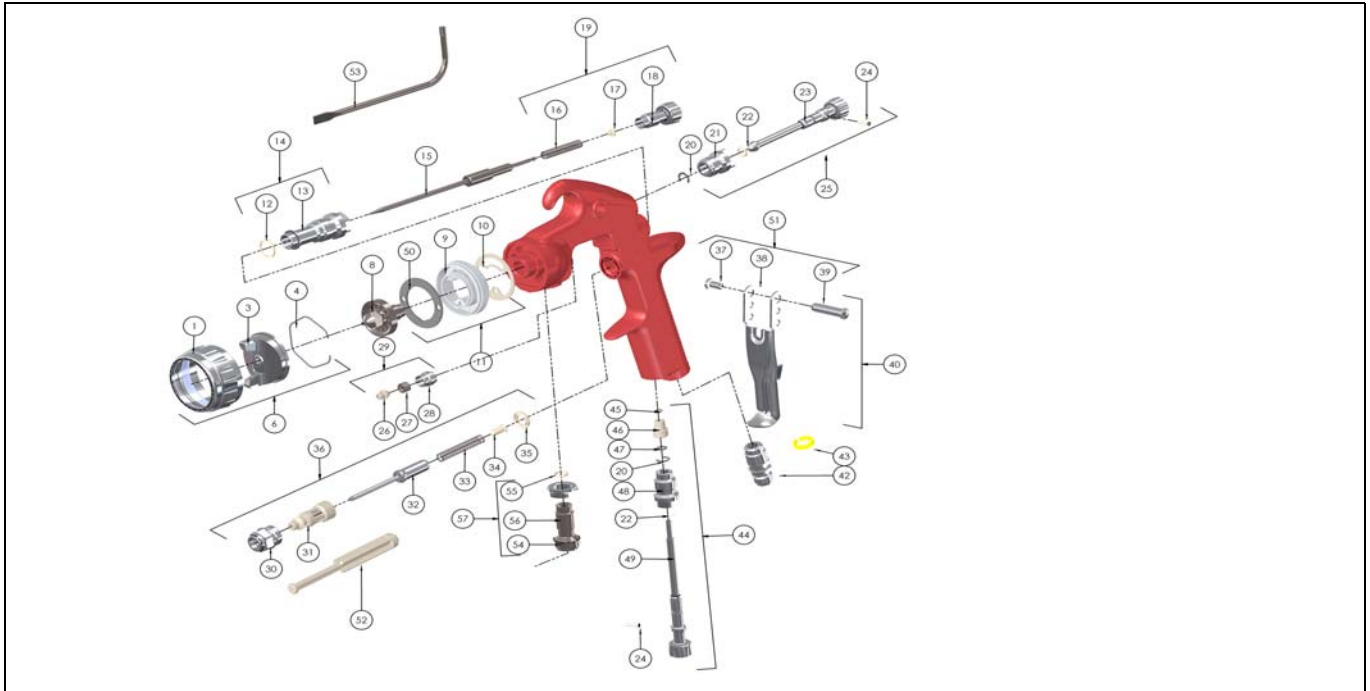


Spare parts

Ref.	Part no.	Description
1	PRO-405-K	Air cap retaining ring
3		Air cap
4	JGA-156-K5	Air cap retaining ring
6		Air cap and ring (see table)
8	PRO-....-K	Fluid nozzle (see table)
9		Spray head
10*	SN-18-1-K2	Spray head seal (kit of 2)
11	SN-17-1-K	Spray head and seal kit
12*		Body bushing seal
13		Body bushing
14	SN-6-K	Body bushing & seal
15		Fluid needle (see table)
16*		Needle spring
17		Needle spring pad
18		Fluid adjusting knob
19	PRO-3-K	Fluid adjusting knob, spring & pad kit
20*		Retaining Clip
21		Spreader valve body
22*		Spreader valve seal
23		Spreader valve adjusting knob
24*		Spreader valve pin
25	PRO-402-K	Spreader valve assembly
26*		Needle packing
27*		Packing spring
28		Packing nut
29	SN-404-K	Packing spring & packing nut kit
30		Air valve body
31		Air valve cage
32		Air valve poppet
33		Air valve spring
34		Air valve spring pad
35	SN-34-K5	Air valve seal
36	SN-402-K	Air valve assembly

Ref.	Part no.	Description
37*		Trigger stud screw (T20 torx)
38		Trigger
39*		Trigger stud
40	SN-21-K	Trigger stud and screw set
42	SN-40-K	Air inlet
43	SN-26-K4	Colour ID ring kit (4 colours)
44	PRO-411-K	Airflow valve
45		Circlip
46		Valve head
47		Washer
48		Valve body
49		Valve stem
50	SN-41-K	Baffle plate
51	SN-405-K5	Stud and screw kit
52		Air valve service kit
53	SPN-8-K2	Torx key
54		Fluid inlet connector
55		Lock nut
56		Seal
57	PRO-12-K	Fluid inlet connector kit
58	KR-566-1-B	Suction cup complete with lid
59	KR-11-K3	Cup lid gasket - kit of 3
60	KR-115-K5	Drip check diaphragm - kit of 5
61	KR-484-K10	Filter - kit of 10
62	KR-4001-B	Lid assembly
63	KR-466-K	Cup
	PRO-415-1	Spray gun repair kit (includes items marked *)
	GTI-428-K5	Seal and pin kit (items 20,22 & 24) kit of 5

JGA HD Pressure Spray Gun
(Conventional)



Spare parts

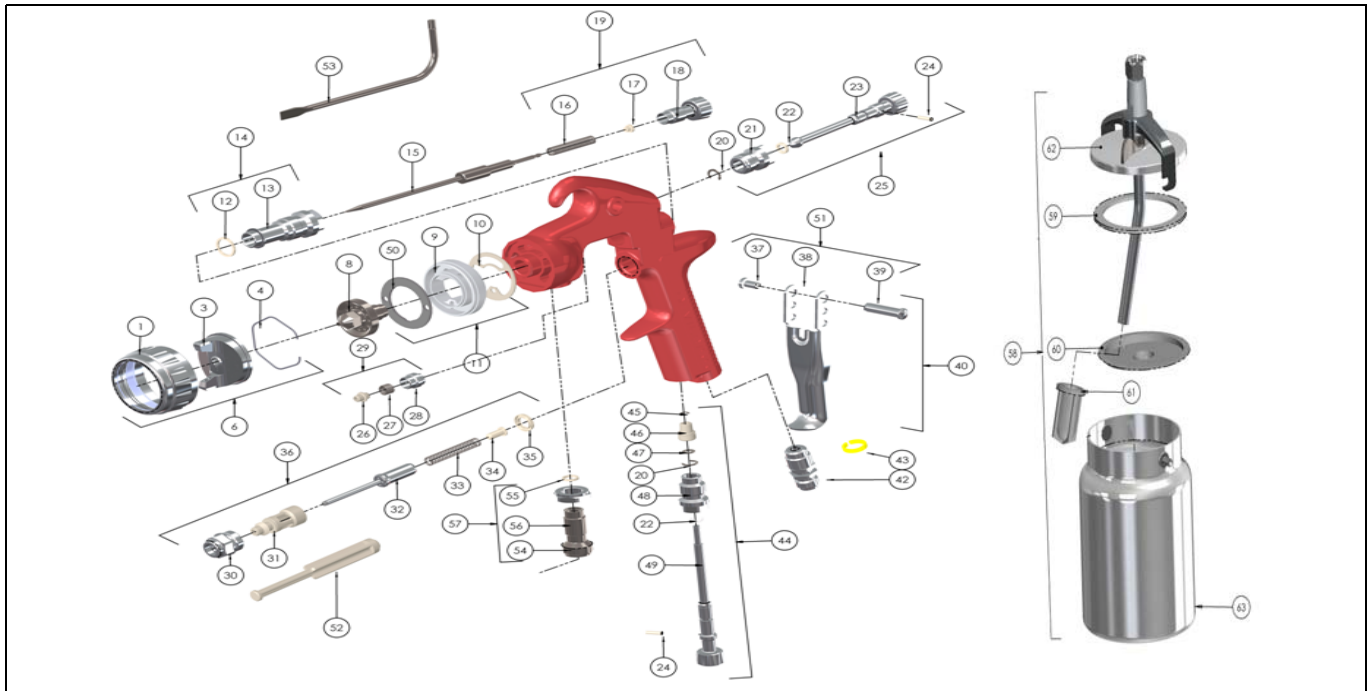
Ref.	Part no.	Description
1	PRO-405-K	Air cap retaining ring
3		Air cap
4	JGA-156-K5	Air cap retaining clip
6		Air cap and ring (see table)
8	PROC-....-K	Fluid nozzle (see table)
9		Spray head
10*	SN-18-1-K2	Spray head seal (kit of 2)
11	SN-17-1-K	Spray head and seal kit
12*		Body bushing seal
13		Body bushing
14	SN-6-K	Body bushing & seal
15		Fluid needle (see table)
16*		Needle spring
17		Needle spring pad
18		Fluid adjusting knob
19	PRO-3-K	Fluid adjusting knob, spring & pad kit
20*		Retaining Clip
21		Spreader valve body
22*		Spreader valve seal
23		Spreader valve adjusting knob
24*		Spreader valve pin
25	PRO-404-K	Spreader valve assembly
26*		Needle packing
27*		Packing spring
28		Packing nut
29	SN-404-K	Packing spring & packing nut kit
30		Air valve body
31		Air valve cage
32		Air valve poppet
33		Air valve spring
34		Air valve spring pad
35	SN-34-K5	Air valve seal

Ref.	Part no.	Description
36	SN-402-K	Air valve assembly
37*		Trigger stud screw (T20 torx)
38		Trigger
39*		Trigger stud
40	SN-21-K	Trigger stud and screw set
42	SN-40-K	Air inlet
43	SN-26-K4	Colour ID ring kit (4 colours)
44	PRO-411-K	Airflow valve
45		Circlip
46		Valve head
47		Washer
48		Valve body
49		Valve stem
50	SN-41-K	Baffle plate
51	SN-405-K5	Stud and screw kit
52		Air valve service kit
53	SPN-8-K2	Torx key
54		Fluid inlet connector
55		Lock nut
56		Seal
57	PRO-12-K	Fluid inlet connector kit
	PRO-415-1	Spray gun repair kit (includes items marked *)
	GTI-428-K5	Seal and pin kit (items 20,22 & 24) kit of 5

Manual Spray Guns

JGA HD Suction Spray Gun (Conventional)

Manual Guns

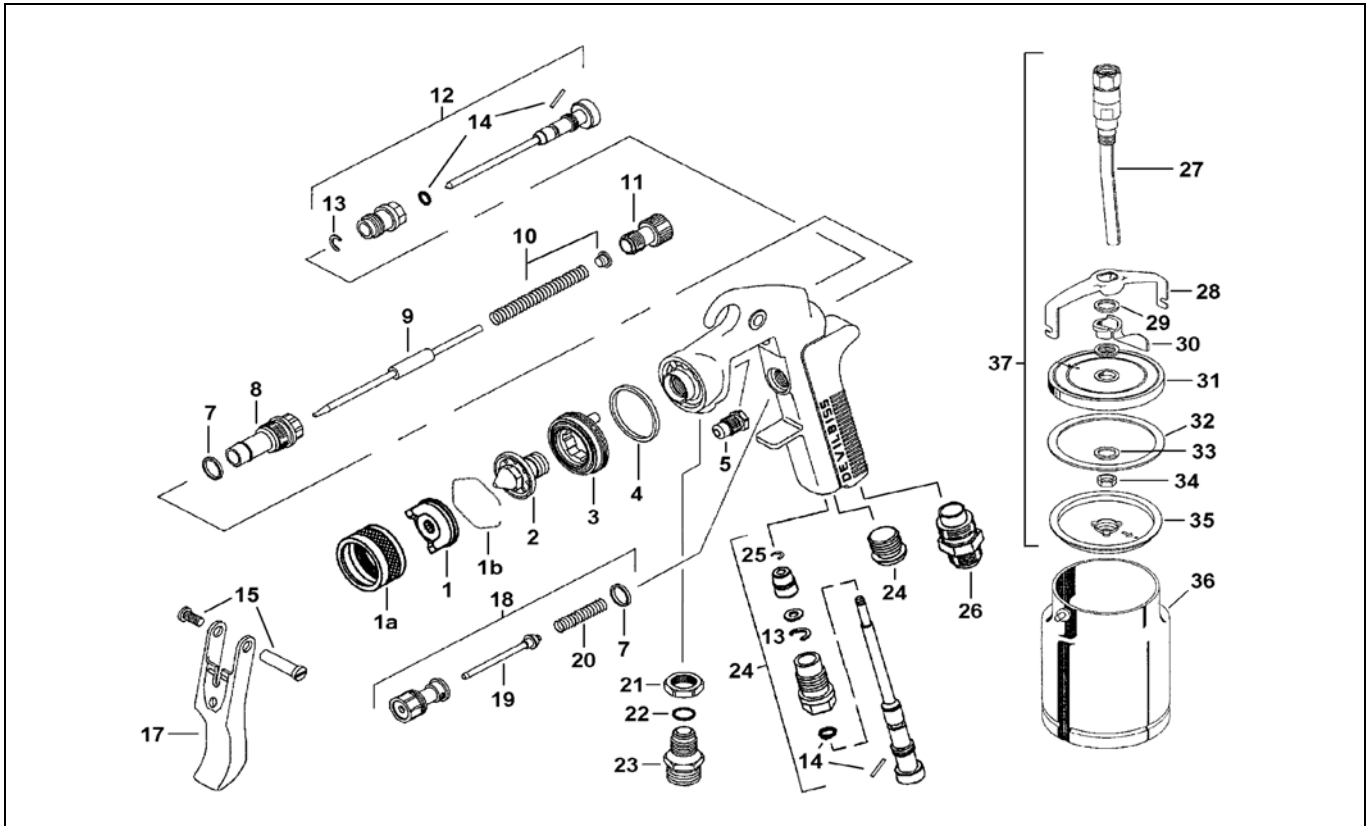


Spare parts

Ref.	Part no.	Description
1	PRO-405-K	Air cap retaining ring
3		Air cap
4	JGA-156-K5	Air cap retaining clip
6		Air cap and ring (see table)
8	PROC-220-...-K	Fluid nozzle (see table)
9		Spray head
10*	SN-18-1-K2	Spray head seal (kit of 2)
11	SN-17-1-K	Spray head and seal kit
12*		Body bushing seal
13		Body bushing
14	SN-6-K	Body bushing & seal
15		Fluid needle (see table)
16*		Needle spring
17		Needle spring pad
18		Fluid adjusting knob
19	PRO-3-K	Fluid adjusting knob, spring & pad kit
20*		Retaining Clip
21		Spreader valve body
22*		Spreader valve seal
23		Spreader valve adjusting knob
24*		Spreader valve pin
25	PRO-404-K	Spreader valve assembly
26*		Needle packing
27*		Packing spring
28		Packing nut
29	SN-404-K	Packing spring & packing nut kit
30		Air valve body
31		Air valve cage
32		Air valve poppet
33		Air valve spring
34		Air valve spring pad
35	SN-34-K5	Air valve seal

Ref.	Part no.	Description
36	SN-402-K	Air valve assembly
37*		Trigger stud screw (T20 torx)
38		Trigger
39*		Trigger stud
40	SN-21-K	Trigger stud and screw set
42	SN-40-K	Air inlet
43	SN-26-K4	Colour ID ring kit (4 colours)
44	PRO-411-K	Airflow valve
45		Circlip
46		Valve head
47		Washer
48		Valve body
49		Valve stem
50	SN-41-K	Baffle plate
51	SN-405-K5	Stud and screw kit
52		Air valve service kit
53	SPN-8-K2	Torx key
54		Fluid inlet connector
55		Lock nut
56		Seal
57	PRO-12-K	Fluid inlet connector kit
58	KR-566-1-B	Suction cup complete with lid
59	KR-11-K3	Cup lid gasket - kit of 5
60	KR-115-K5	Drip check diaphragm - kit of 5
61	KR-484-K10	Filter - Kit of 10
62	KR-4001-B	Lid assembly
63	KR-466-K	Cup
PRO-415-1		Spray gun repair kit (includes items marked *)
GTI-428-K5		Seal and pin kit (items 20,22 & 24) kit of 5

JGA



Spares parts

Ref.	Part no.	Description
1	AV-4239-186	Air cap with retaining ring
1a	MBC-368	Retaining ring metal
	MSG-9	Retaining ring aluminium
1b	JGA-156-K5	Spring clip (Pack of 5)
2	AV-645-FX	Nozzle 1.1 mm
	AV-651-FX	Nozzle 1.1 mm with plastic insert
3	JDG-402-K	Air distributing ring
4	GTI-33-K5	Seal (Pack of 5) (not applicable if using MSG-410)
5	GTI-445-K2	Needle packing (Pack of 2)
7	JGS-72-K10	Seal (Pack of 10)
8	JGA-17	Needle cylinder
9	JGA-421-FX-K	Needle
10	GTI-409-K5	Spring with pad (Pack of 5)
11	GTI-414-K	Needle adjusting screw
12	GTI-405-K	Jet regulating valve
13	SST-8434-K5	Snap ring (Pack of 5)
14	GTI-428-K5	Seal and pin (Pack of 5)
15	GTI-408-K5	Pin and screw (Pack of 5)
17	GTI-108	Trigger
18	JGK-449-K	Air valve, compl.
19	JGS-431-1	Air valve cone
20	JGV-262-K5	Spring (Pack of 5)
21	JGA-51-K5	Lock nut (Pack of 5)
22	23165-001-K10	Seal (Pack of 10)
23	JGA-159-K	Material inlet nipple 3/8"

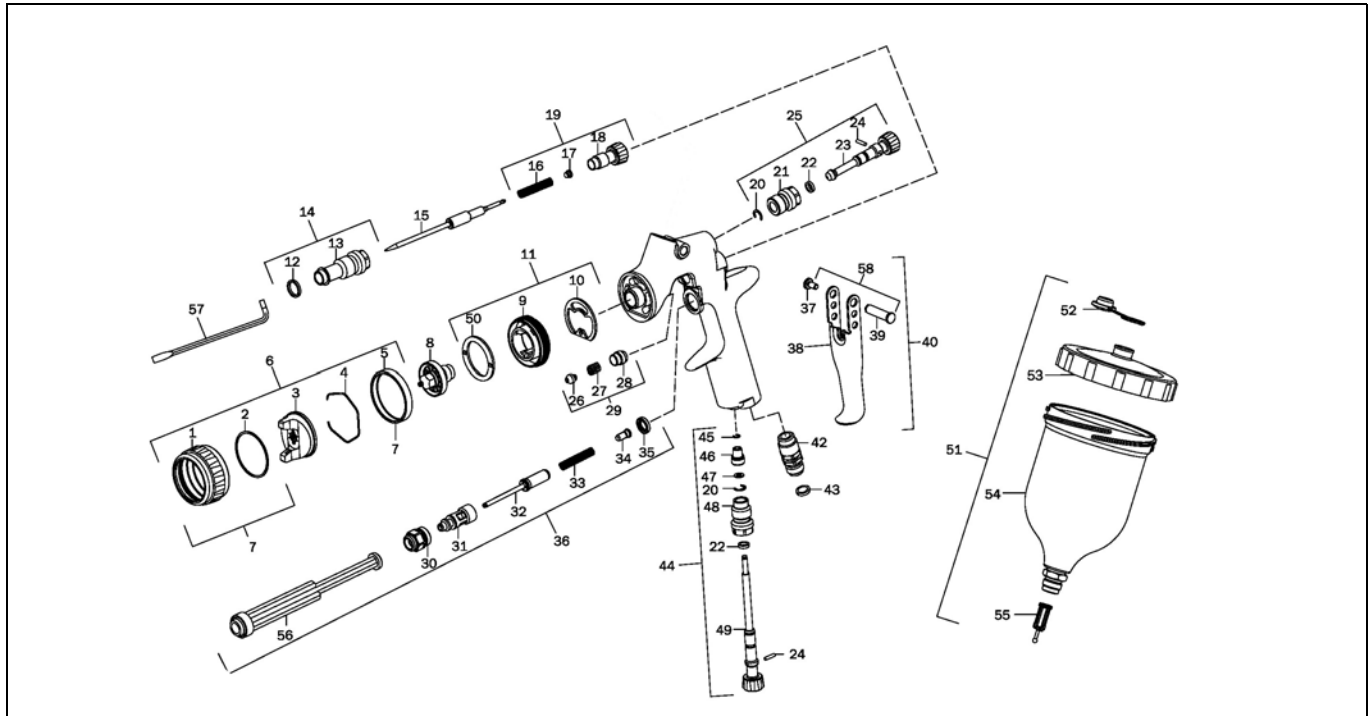
Ref.	Part no.	Description
	GTI-415-K	Air fine regulating valve
24	JGHV-59	Blanking plug
25	25746-007-K5	Snap ring (Pack of 5)
26	JGA-158	Air inlet nipple 1/4"
27	KR-4001-B	Intake tube R 3/8"
28	KR-77-1	Bracket
29		Disc (Pack of 5)
30	KR-445-1	Clamping lever with seal
31	KR-78	Cover
32	KR-11-K3	Seal (Pack of 3)
33	KR-40-K5	Disc (Pack of 5)
34		Nut (Pack of 5)
35	KR-115-K5	Drip protection (Pack of 5)
36	KR-466-K	Cup 1 l
37	KR-4001-B	Cover, attached, R 3/8"
	KR-483-K10	Fine filter (Pack of 10)
	KR-110-K3	Plastic insert (Pack of 3)

Manual Spray Guns

PRi HD Gravity Spray Gun

(Trans-Tech)

Manual Guns

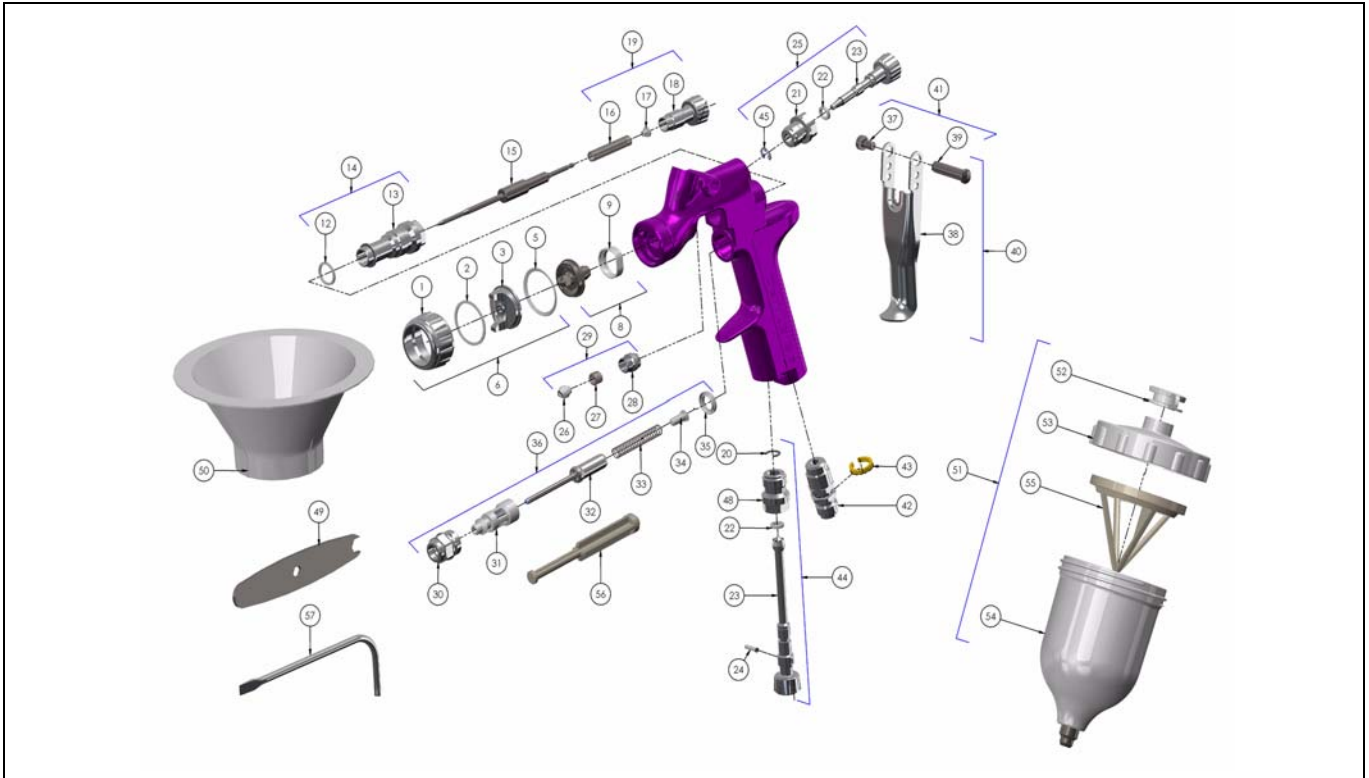


Spare parts

Ref.	Part no.	Description
1		Air cap retaining ring
2		Slip ring
3		Air cap
4	JGA-156-K5	Air cap retaining ring
5		Retaining ring seal
6		Air cap and ring (see table)
7	PRO-405-K	Air cap retaining ring & seals
8	PRO-200_...-K	Fluid nozzle (see table)
9		Spray head
10*	SN-18-1-K2	Spray head seal (kit of 2)
11	SN-17-1-K	Spray head and seal kit
12*		Body bushing seal
13		Body bushing
14	SN-6-K	Body bushing & seal
15	PRO-300-K	Fluid needle
16*		Needle spring
17		Needle spring pad
18		Fluid adjusting knob
19	PRO-3-K	Fluid adjusting knob, spring & pad kit
20*		Retaining Clip
21		Spreader valve body
22*		Spreader valve seal
23		Spreader valve adjusting adjusting knob
24*		Spreader valve pin
25	PRO-402-K	Spreader valve assembly
26*		Needle packing
27*		Packing spring
28		Packing nut
29	SN-404-K	Packing spring & packing nut kit
30		Air valve body
31		Air valve cage

Ref.	Part no.	Description
32		Air valve poppet
33		Air valve spring
34		Air valve spring pad
35	SN-34-K5	Air valve seal
36	SN-402-K	Air valve assembly
37*		Trigger stud screw (T20 torx)
38		Trigger
39*		Trigger stud
40	SN-21-K	Trigger stud and screw set
41		Plug
42	SN-40-K	Air inlet
43	SN-26-K4	Colour ID ring kit (4 colours)
44	PRO-411-K	Airflow valve
45		Circlip
46		Valve head
47		Washer
48		Valve body
49		Valve stem
50	SN-41-K	Baffle plate
51	GFC-501	Gravity cup kit
52	GFC-2-K5	Drip check lid (kit of 5)
53	GFC-402	Gravity cup lid
54		Gravity cup
55	KGP-5-K5	Filter
56		Air valve service kit
57	SPN-8-K2	Torx key
58	SN-405-K5	Stud and screw kit
PRO-415-1		Spray gun repair kit (includes items marked *)
GTI-428-K5		Seal and pin kit (items 20,22 & 24) kit of 5

SRI HD Gravity Spray Gun
(HVLV or Trans-Tech)



Spare parts

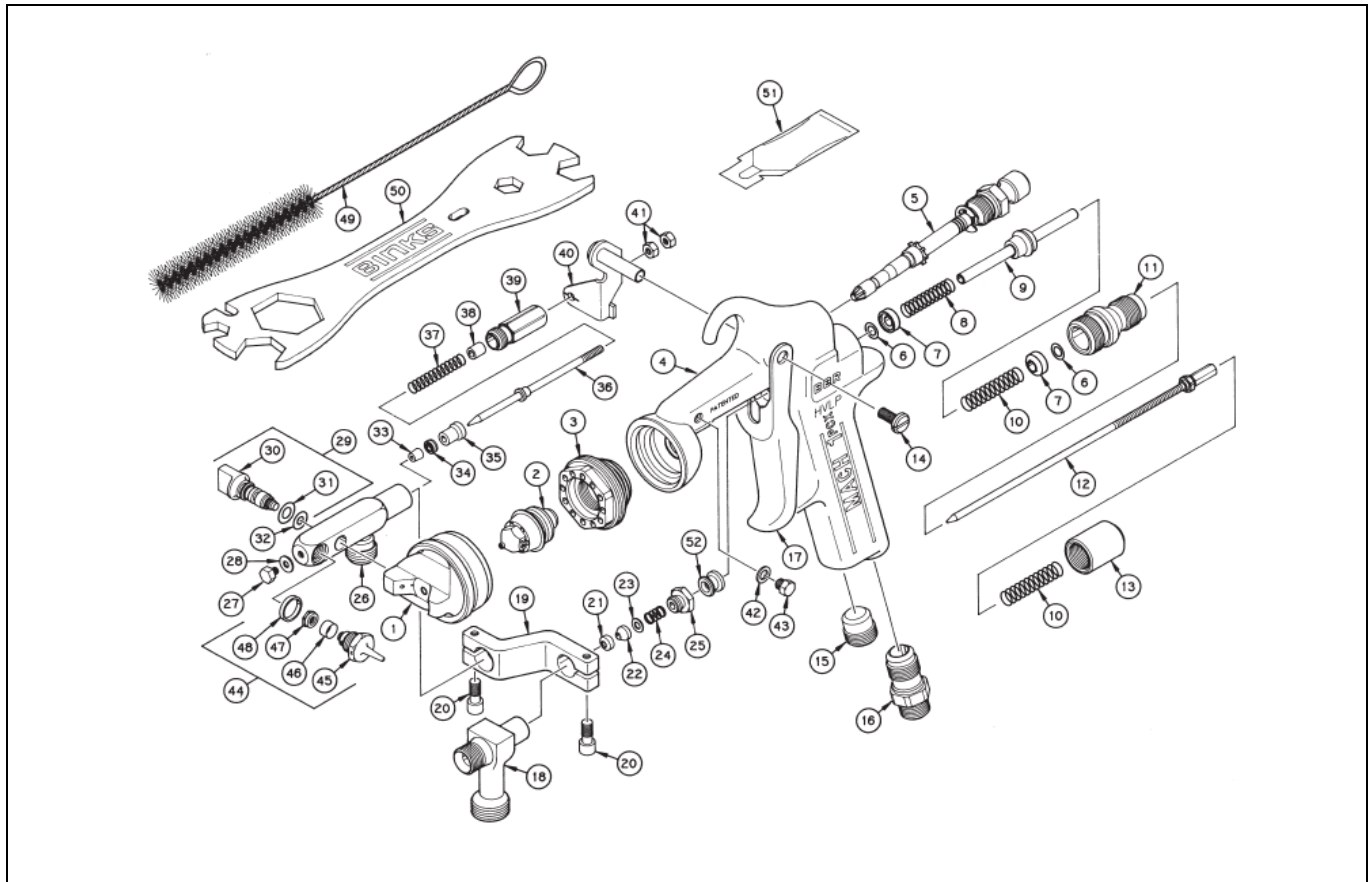
Ref.	Part no.	Description
1		Air cap retaining ring
2		Slip ring
3		Air cap
5		Retaining ring seal
6		Air cap and ring (see table)
8	SRIPRO-200-...-K	Fluid nozzle (see table)
9	SRIPRO-2-K5	Separator
12*		Body bushing seal
13		Body bushing
14	SN-6-K	Body bushing & seal
15	SRIPRO-300-...-K	Fluid needle (see table)
16*		Needle spring
17*		Needle spring pad
18		Fluid adjusting knob
19	PRO-3-K	Fluid adjusting knob, spring & pad kit
20*		Retaining Clip
21		Spreader valve body
22*		Spreader valve seal
23		Spreader valve adjusting adjusting knob
24*		Spreader valve pin
25	SRIPRO-401-K	Spreader valve assembly
26*		Needle packing
27*		Packing spring
28		Packing nut
29	SN-404-K	Packing spring & packing nut kit
30		Air valve body
31		Air valve cage
32		Air valve poppet
33		Air valve spring

Ref.	Part no.	Description
34		Air valve spring pad
35	SN-34-K5	Air valve seal
36	SN-402-K	Air valve assembly
37*		Trigger stud screw (T20 torx)
38		Trigger
39*		Trigger stud
40	SN-42-K	Trigger stud and screw set
41	SN-405-K5	Stud and screw set
42	SN-40-K	Air inlet
43	SN-26-K4	Colour ID ring kit (4 colours)
44	PRO-404-K	Airflow valve
45		Circlip
49	SRI-50-K2	Spanner kit of 2
50	SRI-51-K12	Funnel kit of 12
51	SRI-510	Gravity cup kit
52	GFC-2-K5	Drip check lid (kit of 5)
53		Gravity cup lid
54		Gravity cup
55	SRI-42-K3	Filter
56		Air valve service kit
57	SPN-8-K2	Torx key
		PRO-415-1 Spray gun repair kit (includes items marked *)
		GTI-428-K5 Seal and pin kit (items 20,22 & 24) kit of 5

Manual Spray Guns

Mach 1 PCX

Manual Guns

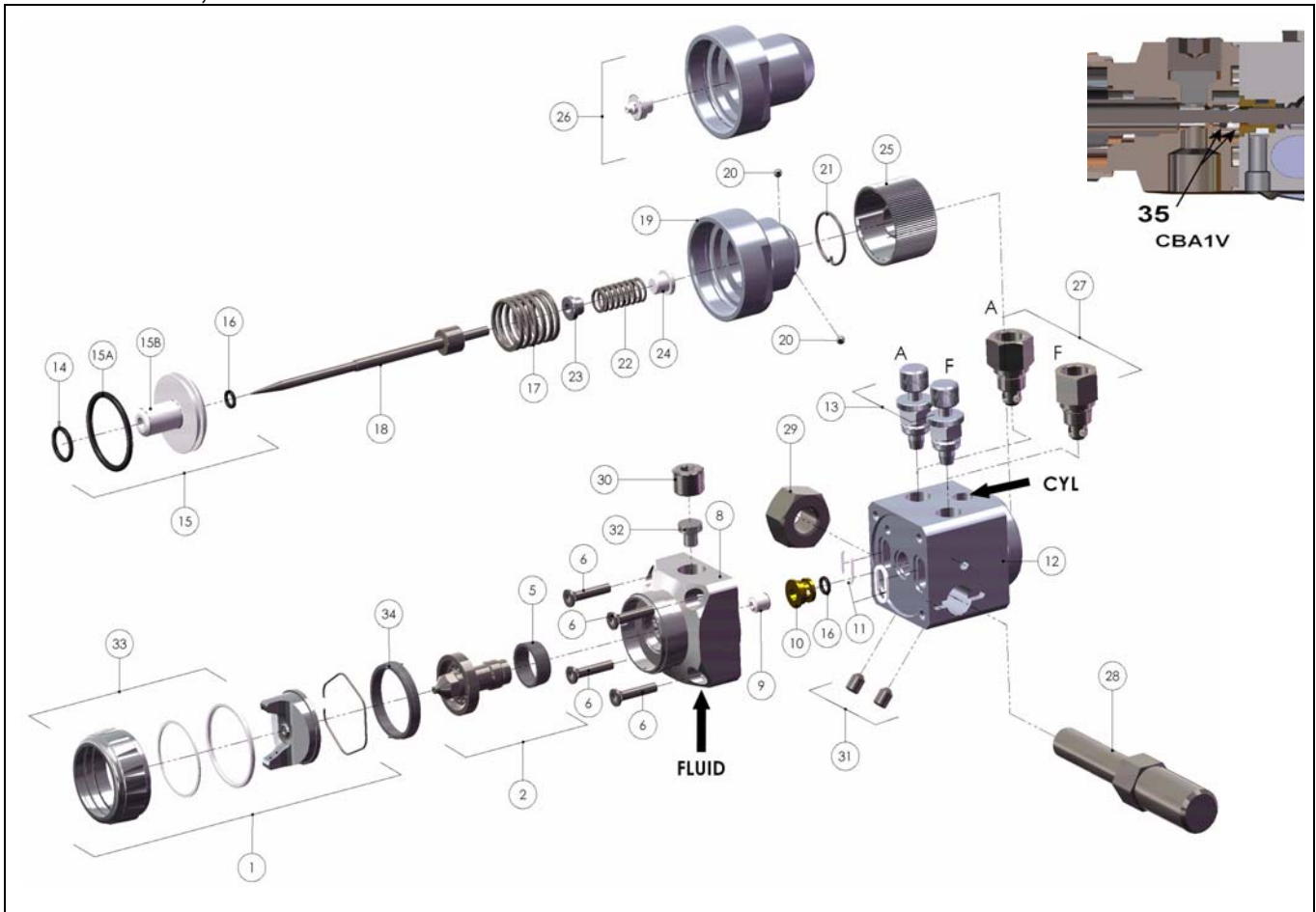


Spare Parts

Ref.	Part no.	Description
1		Air cap assembly
2		Fluid nozzle
3	54-3543	Head insert
4	54-3922	Mach 1 gun body
5	54-3946	Side port control assembly
6	20-4615-5	O-ring
7	54-3515	Housing
8	54-3520	Spring, yellow
9	54-3512	Spindle assembly
10	54-3518	Spring, blue
11	54-3541	Housing
12		HVLP needle assembly
13	54-3606	Fluid control knob
14	82-126-5	Trigger screw
15	54-3504	Plug
16	54-768	Air connection
17	54-3547	Trigger
18	54-3533	Fluid inlet
19	102-2709	"S" bracket
20	20-2652-1	Screw, 8-32 x 3/8" Soc. Hd.
21	54-4264	Gland adapter
22	54-4265	Needle seal
23	54-4266	Seal backup
24	54-4267	Spring
25	54-4263	Packing nut
26	102-2874	Body weldment
27	102-2713	Plug
28	102-2708	Gasket
29	102-2872	Fluid manifold plug assembly

Ref.	Part no.	Description
30	102-2873	Fluid manifold plug
31	20-6525	O-ring
32	20-6524	O-ring
33	102-2715	Catalyst seat
34	102-647	"U" cup seal
35	102-2716	Front bushing
36	102-2722	Needle assembly
37	102-2717	Spring
38	102-2718	Rear bushing
39	102-2719	Spring housing
40	102-483	Lever assembly
41	102-2728	Nut
42	54-3925	Gasket
43	54-3928	Plug, 10 -32 x 3/16" Hex Hd.
44		Injector assembly - see chart
45		Injector (part of item 44)
46	102-2729	Filter (part of item 44)
47	102-2876	Filter retainer (part of item 44)
48	102-2871	Seal (part of item 44)
49	82-469	Gun brush
50	54-3918	Wrench
51	54-3871	Gunner Mate
52	54-3513	Valve spindle cap
53	102-2658	Manifold cleaner
54	102-2656	Large o-ring tool
55	102-2657	Small o-ring tool

Cobra 1 HVLP, Trans-Tech & Conventional



Automatic Guns

Spare parts

Ref.	Part no.	Description
1	SP-100-...COM-K	Air cap and retaining ring with seals see table
2	SP-...S-...-K	Nozzle with air separator ring see table
5	SPA-27-K5	Air separator, Pack of 5
6	S-14192-K4	Screw, set of 4 Torx 20 screws
8	SPA-40	Spray head for Cobra1
9	SPA-86-K**	Packing
	SPA-86-K10	Packing - kit of 10
10	SPA-10**	Sealing washer spacer
11	SPA-53-K10*	Gasket kit of 10
12	SPA-1-CBA1	Gun Body
13	AGG-403	Air valve fan & atomising
14	S-28220X-K2**	O Ring Kit of 2
15	SPA-6X-K	Piston + gasket (16,14,15a,15b)
15a	S-28225X-K2**	O Ring Kit of 2
15b	SPA-6-CER-K	Piston
16	S-28219X-K4**	O Ring Kit of 4
17	SPA-13	Piston spring
18	SPA-310-...	Needle see table
19	SPA-404-K	Housing
20	SPA-KK-1	Kit of ring +ball for ratchet
21		
22	SPA-31	Spring
23	SPA-37	Collar
24	SPA-49	Button
25	SPA-4	Adjusting knob
26	SPA-7-K*	Rear plate kit without adjustment
27	SPA-22-K2*	Remote air controller

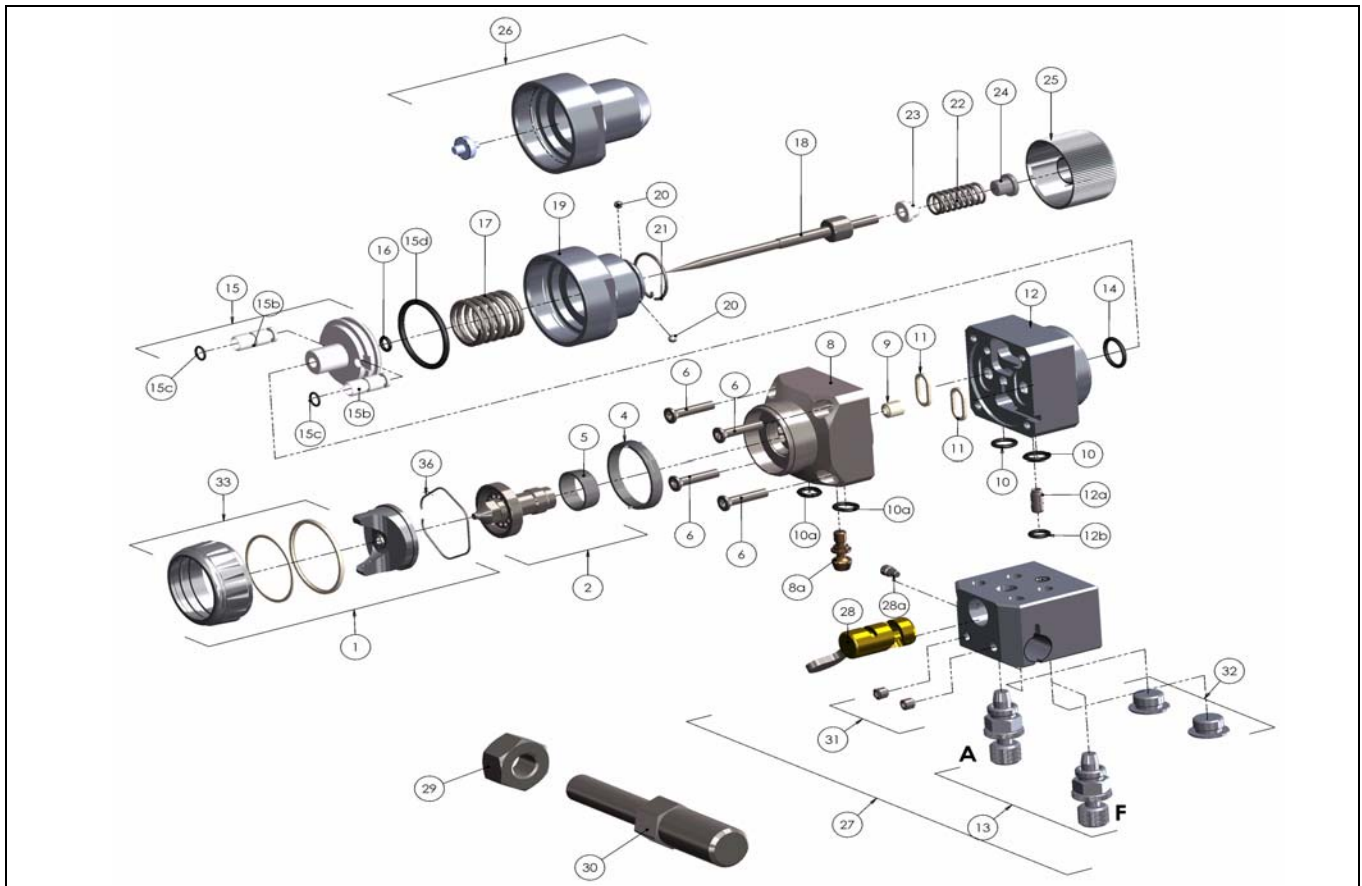
Ref.	Part no.	Description
28	AGGS-33*	Mounting bar
29	SS-659-CD*	Nut
30	S-18226	Plug 1/4 BSP for spray gun without circulation
31	S-1444-H	Screw HC M5 lg 8 (do not specify)
32	SPA-26	Fluid insert plug
33	ADV-403-K	Retaining Ring & Seals
34	SPA-112*	Index ring (Air cap)
35	SPA-20V-K5	Packing & O Ring kit of 5

* Optional spares
 ** included in spares kit SPK-117

Automatic Spray Guns

Cobra 2 HVLP, Trans-Tech & Conventional

Automatic Guns



Spare parts

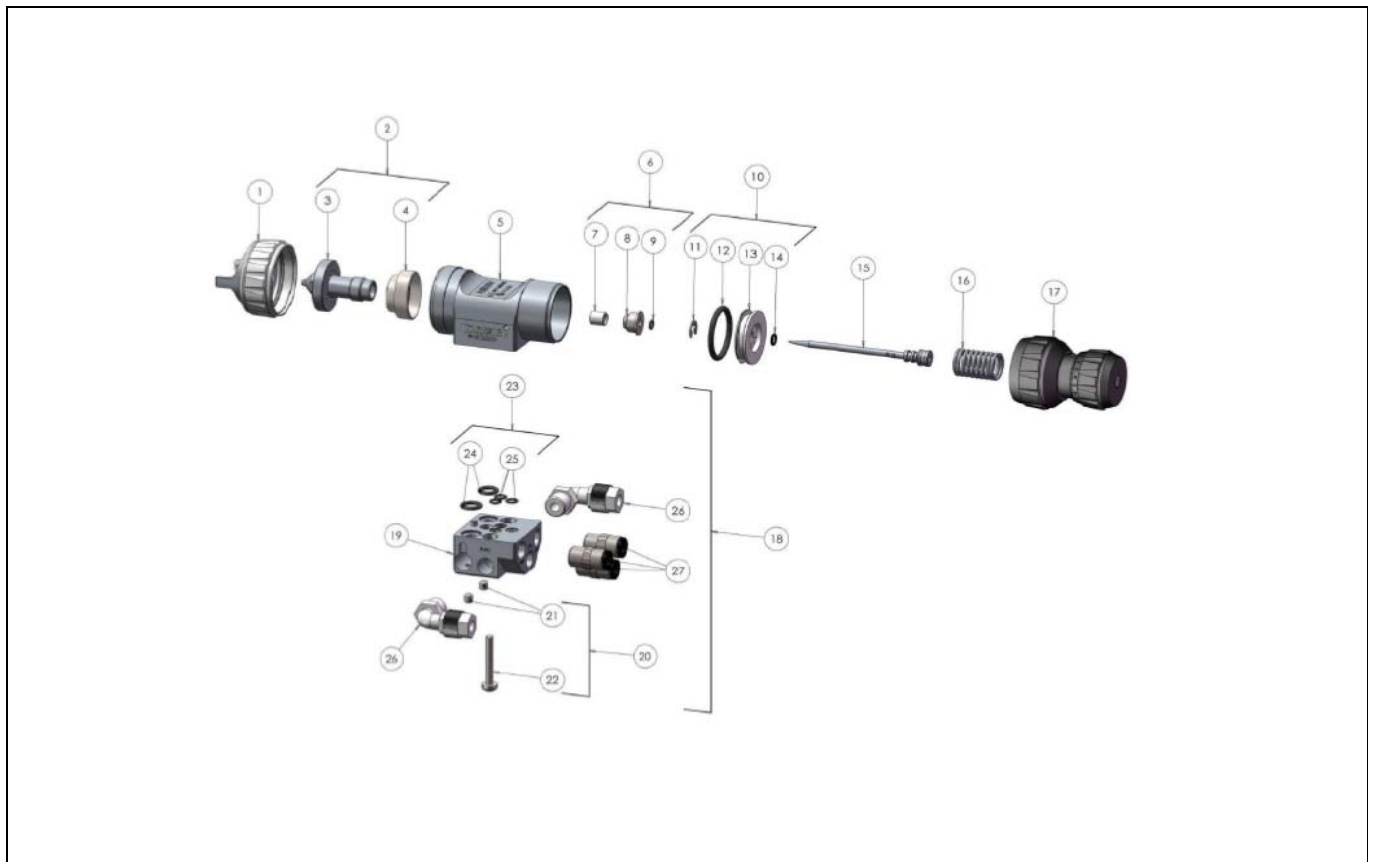
Ref.	Part no.	Description
1	SP-100-...COM -K	Air cap and retaining ring with seals see table
2	SP-...S-...-K	Nozzle with air separator ring see table
4	SPA-112	Locator ring for indexed air cap
5	SPA-27-K5	Air separator seal. Pack of 5
6	S-14192-K4	Screw, set with Pack of 4 Torx
8	SPA-50	Spray head for Cobra 2
	SPA-50U	Spray head recirc.
8a	SPA-51	Fixing rod on base plate
9	SPA-86-K**	Packing seal kit of 1
	SPA-86-K10	Packing seal kit of 10
10	SPA-29X-K4	O ring Kit of 4
11	SPA-53-K10**	Gasket Kit of 10
12	SPA-1-CBA2	Gun body for Cobra2
12a	SPA-52	Locating air tube
12b	S-28223X-K4	O ring kit of 4
13	AGG-403	Air valve (fan & atomising air)
14	S-28220X-K2**	O-ring, pack of 2
15	SPA-60X-K	Piston assembly and seals (16,15b, 15c & 15d)
15b	SPA-62-K2	Piston for air valve
15c	S-28224X-K4**	Set of 4 o-rings for small piston
15d	S-28225X-K2**	O ring kit of 2
16	S-28219X-K4**	Gasket, kit of 4
17	SPA-13	Piston spring
18	SPA-320-..	ST ST Needle see table
19	SPA-404-K	Housing
20	SPA-KK-1	Ring and ball kit for ratchet
21		

Ref.	Part no.	Description
22	SPA-31	Spring
23	SPA-37	Collar
24	SPA-49	Button
25	SPA-4	Adjusting knob
26*	SPA-7-K	Rear plate kit without adjustment
27	SPA-55-K	Base plate
28	SPA-56-K	Fixing device/Quick release cam
28a	SPA-59	Retaining screw for locking device
29*	SS-659-CD	Gun mounting bar nut
30*	AGGS-33	Gun mounting bar
31	S-14193	M6 hexagon-socket screw, length 5.5
32*	SPA-111-K2	Set of 2 plugs for replacement of air valve (13)
33	ADV-403-K	Retaining ring with seals kit
36	JGA-156-K5	Spring Clip Kit of 5
37	SPK-109	Manifold Seal Kit SPA-29X (x4) S-28223X (x1)

* Optional parts

** included in spares kit SPK-118

Cobra 3c Trans-Tech, HVLP



Automatic Guns

Spare parts

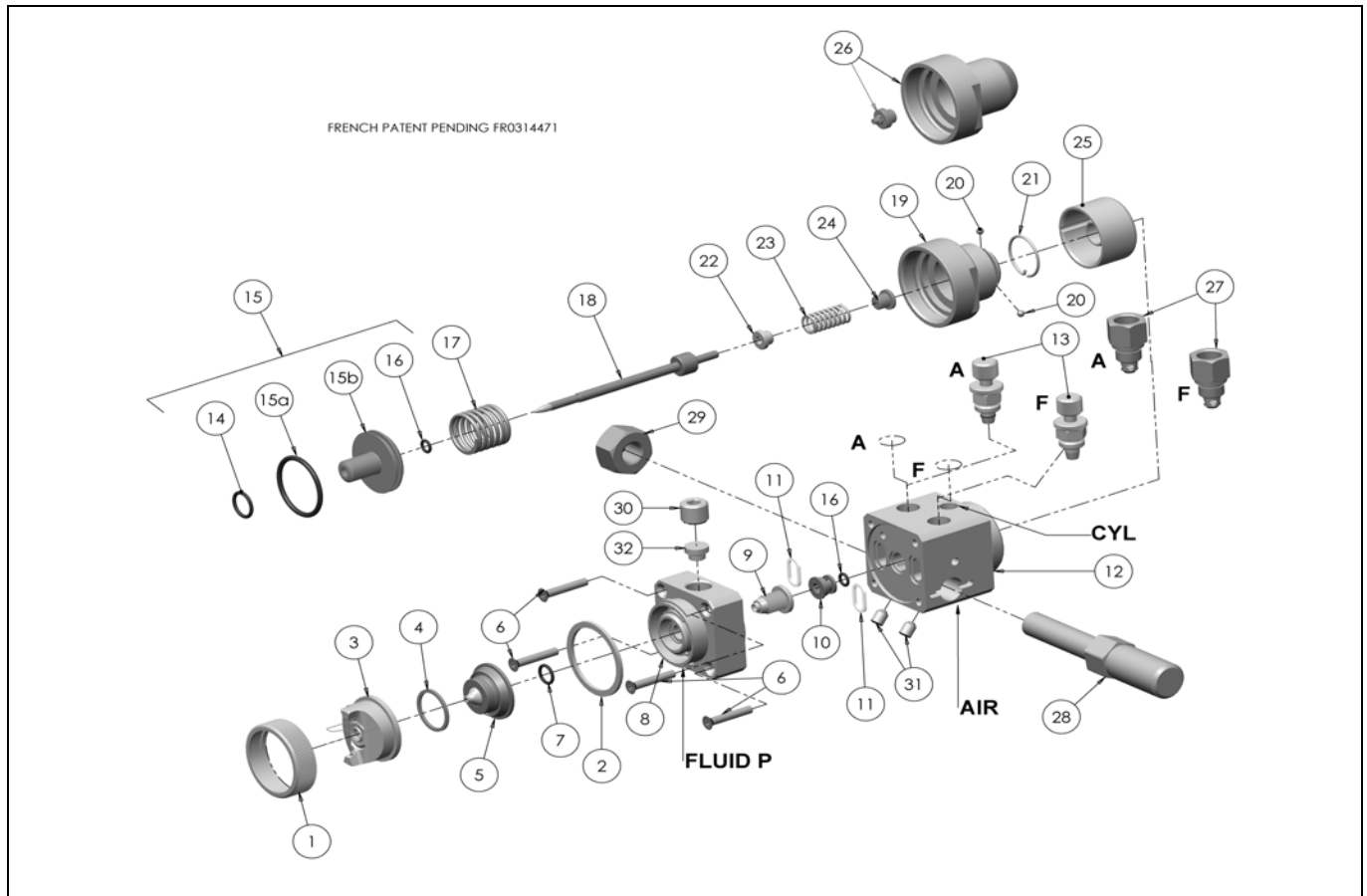
Ref.	Part no.	Description
1		Air cap assembly (see table)
2		Fluid nozzle kit (see table)
3		Fluid nozzle
4	SP-626-K5	Separator - kit of 5
5		Body
6	SPA-408-K	Needle packing kit
7	SPA-118-K2	Needle packing - kit of 2
8		Packing nut
9		O-ring
10		Piston assembly
11		E circlip
12	SPA-409-K	O-ring
13		Piston
14		O-ring
15		Fluid needle (see table)
16	SPA-123-K	Piston spring
17	SPA-405-K	Micrometer assembly
18	SPA-410-K	Manifold assembly
19		Manifold
20		Screw kit
21	SPA-411-K	Grub screw
22		M4 Torx screw
23		O-ring kit
24	SPA-412-K	O-ring
25		O-ring
26	SPA-136-K2	Elbow fitting - kit of 2
27	SPA-137-K3	Push fitting

Automatic Spray Guns

VIPER

(Conventional or Trans-Tech)

Automatic Guns



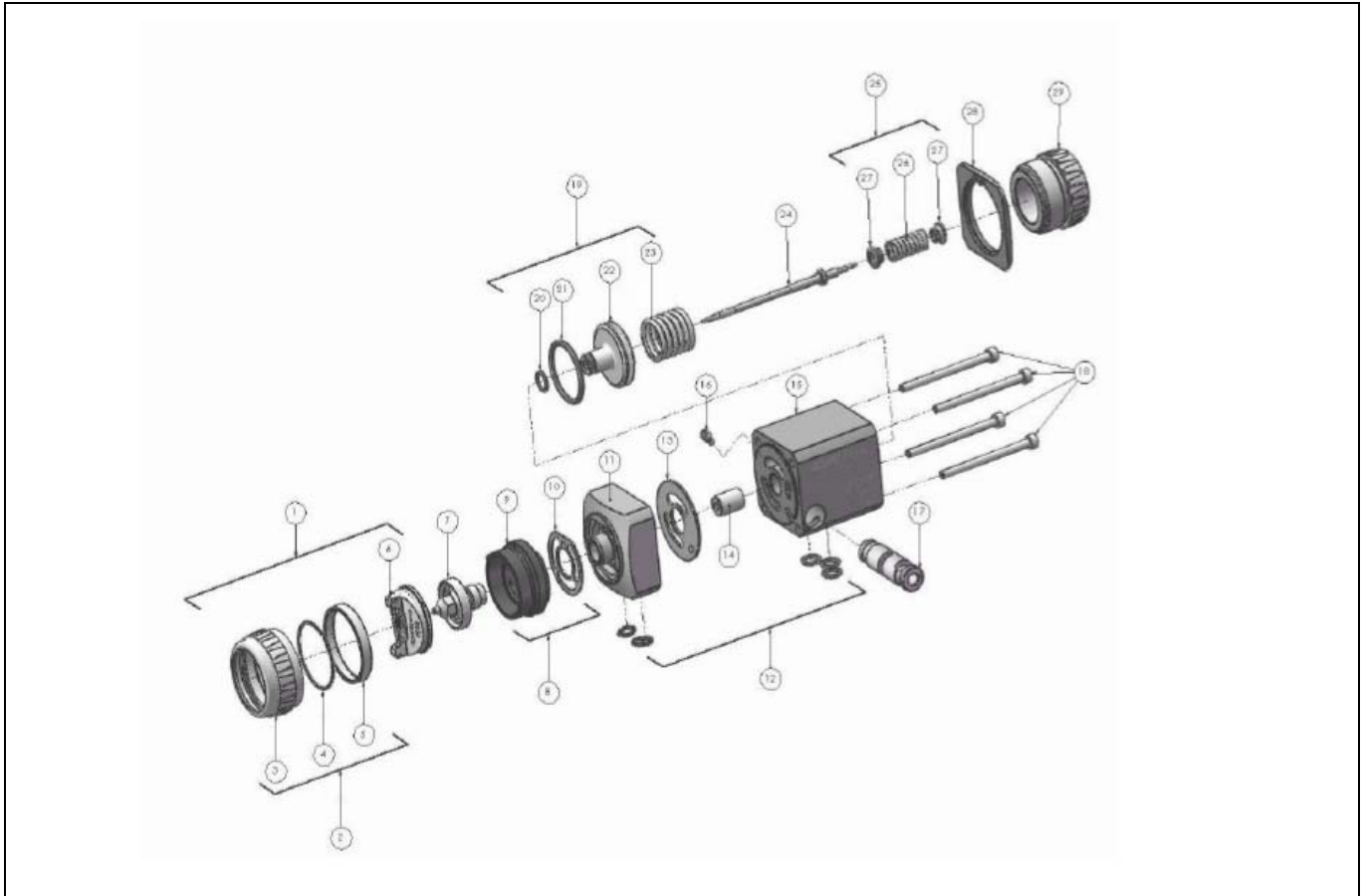
Spare parts

Ref.	Part no.	Description
1	SPA-36	Retaining ring
2	SPA-17-K5	Gasket kit (Pack of 5)
3	SPA-100-...	Air cap see table
4	SPA-16-K2	Gasket (Pack of 2)
5	SPA-250-...	Nozzle see table
6	S-14190-K4	Screw M4 x 2 slot
7	S-28218-K5	O-ring (Pack of 5)
8	SPA-2	Gun head
9	SPA-11	Needle seal
10	SPA-10	Packing sleeve
11	SPA-53-K10	Gasket (Pack of 10)
12	SPA-1-VPR	Gun body
13	AGG-403	Control valve
14	S-28220X-K2	Gasket (Pack of 2)
15	SPA-6X-K	Piston and gasket (14,15a,15b,16)
15a	S-28225X-K2	Gasket (Pack of 2)
15b	SPA-6-CER	Piston
16	S-28219X-K4	O-ring (Pack of 4)

Ref.	Part no.	Description
17	SPA-13	Piston spring
18	SPA-...	Needle see table
19	SPA-3	Housing
20	SPA-KK-1	Ball (Pack of 3) and ring for ratchet
22	SPA-37	Cap Spring
23	SPA-31	Spring
24	SPA-49	Washer
25	SPA-4	Adjusting knob
26	SPA-7-K*	Kit rear housing without adjustment
27	SPA-22-K2*	Air Connector (Pack of 2)
28	AGGS-33*	Attachment bolt/shaft
29	SS-659-CD*	Nut
30	S-18226	Plug 1/4" for gun without circulation
31	S-1444-H	Screw
32	SPA-25	Plug

*optional

AGMD Pro
Trans-Tech



Spare parts

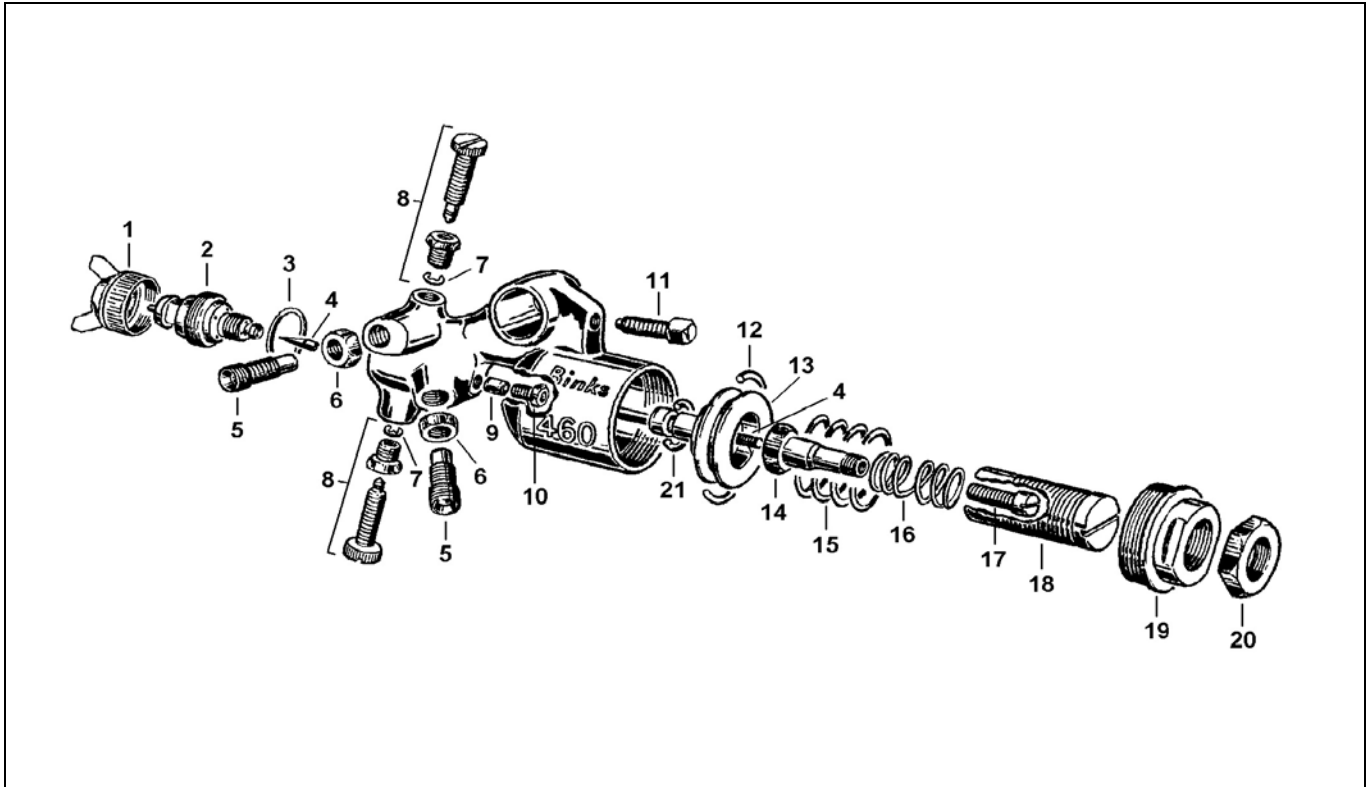
Ref.	Part no.	Description
1		Air cap & ring (see table)
2	PRO-420-K	Retaining ring & seals
3		Retaining ring
4		Shim
5		Retaining ring seal
6		Air cap
7		Fluid nozzle (see table)
8	AGMDPRO-11-K	Indexing head assembly
9		Indexing spray head
10		Spray head gasket
11	AGMDPRO-1-K	Head
	AGMDPRO-1-U-K	Head - recirculation
12	AGMDPRO-29X-K5	O-ring (kit of 5)
13	AGMDPRO-9-K2	Head gasket (kit of 2)
14	AGMDPRO-8-K5	Packing (kit of 5)
15		Body
16*		Retaining screw
17*		Cam

Ref.	Part no.	Description
18	AGMDPRO-10-K4	Cap head screws (kit of 4)
19	AGMDPRO-404-K	Piston assembly
20		O-ring
21		O-ring
22		Piston
23		Piston spring
24		Fluid needle (see table)
25	AGMDPRO-405-K	Needle spring assembly
26		Needle spring
27		Spring button
28		End plate
29	AGMDPRO-13-K	End cap
	AGMDPRO-406-K	Cam kit (parts marked with * included in kit)

Automatic Spray Guns

460
(Conventional)

Automatic Guns



Spare parts

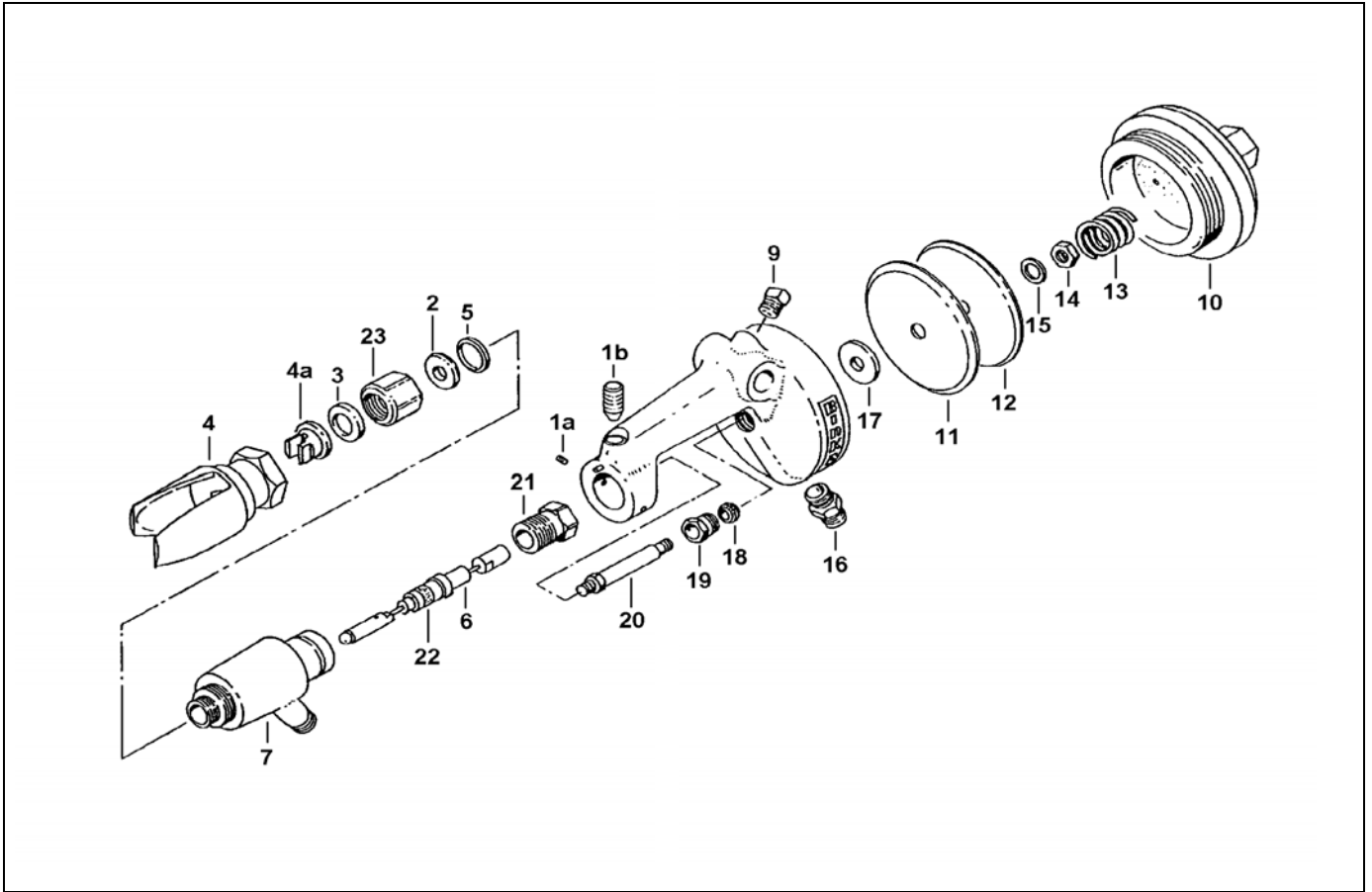
Ref.	Part no.	Description
	200831	Air cap J92S
1	200833	Air cap J92P
	200834	Air cap J92R (Round Spray)
2	200361	Nozzle see table
3	180380	Gasket
4	180086-K	Needle
	180087	Needle
5	184574	Inlet nipple connector
6	184533	Lock nut
7	166031	Retaining ring
8	184963	Spreader valve
9	180295	Valve packing
10	180296	Packing screw
11	164392	Screw
12	161030	O-ring
13	184576	Piston

Ref.	Part no.	Description
14	184577	Spring siggot
15	160170	Spring (outer)
16	160171	Spring (inner)
17	184573	Screw
18	184581	Screw
19	184580	Cover
20	183981	Lock nut
21	20-4146	O-ring

Accessories

250035	Spares kit
184786	Hexagonal wrench
4900-5-1-K3	Cleaning brush
184788	Gun spanner
184788-A	Gun spanner
6-428	Gun oil (75 ml)

550
(Airless)



Spare parts

Ref.	Part no.	Description
1a	20-6705	Set screw
1b	20-6130	Set screw
2	54-2931	Seat
3	54-2229-5	Gasket
4	54-3085	Tip guard assembly
4a	94-98-00...	Nozzle, see table
5	54-2927-5	Seal
6	54-2956	Needle wire assembly
7	54-3042	Material body assembly
9	20-1359-1	Set screw
10	54-3060	Cap assembly
11	54-3051	Diaphragm
12	54-3054	Back plate
13	54-3052	Spring
14	20-5351	Nut
15	20-5352	Lockwasher
16	71-28	Fitting

Ref.	Part no.	Description
17	54-3055	Washer
18	54-3053	Packing
19	54-3059	Bearing screw assembly
20	54-3056	Stem
21	54-2964	Gland nut
22	54-2949	Gland set
23	54-2928	Set cap

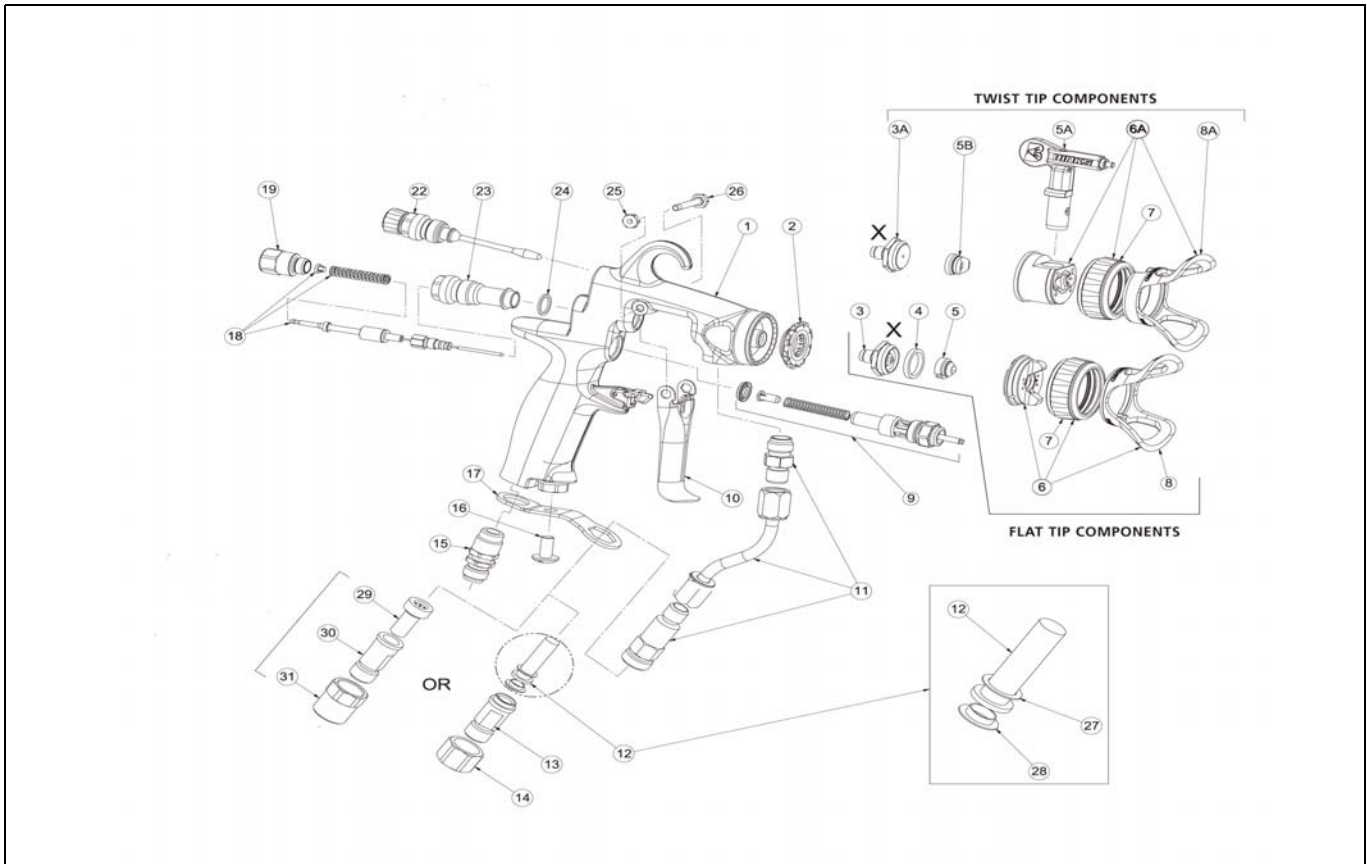
Accessories

454-3	Tip base
54-3121	Spares kit
54-2378	Atomiser
54-1835	Filter 100 mesh
54-1836	Filter 60 mesh
JAC-90-D	Cleaning needles (Pack of 12)
54-380	Gun holder

Manual Spray Guns

AA4400M (AAA)

Manual Guns



Spare parts

Ref.	Part no.	Description
1		Gun Body
2	SPA-71-K10	Baffle Plate (Kit of 10)
Flat Tip Components		
3	54-5799-K	Fluid seat (Tungsten Carbide)
4	SPA-98-K10	Gasket (Kit of 10)
5	114-XXXXXX	Flat Tip - see table
6	54-5890-K	Flat Tip HVLP Aircap AA-10
7	54-5852	Retaining ring
8*	54-5794	Flat Tip Guard
Twist Tip Components		
3a	54-5832-K**	Twist Tip Fluid Seat (Tungsten Carbide)
5a	9-XXX-75	Twist Tip - see table
5b	54-5801-K2**	Twist Tip Brace
6a	54-5796-K**	Twist Tip HVLP aircap
7	54-5852	Retaining ring
8a*	54-5793**	Twist Tip Guard
9	SN-402-K	Air Valve Assembly
10		Trigger
11	54-5780	Fluid Tube Assembly
12	54-5788-K5	Fluid Filter 60 Mesh (Kit of 5)
	54-5789-K5	Fluid Filter 100 Mesh (Kit of 5)
13		Fluid Inlet Swivel (1/4" NPS)
14		Fluid Adapter Nut
15	SN-9-K3	Air Inlet Fitting 1/4" NPS (Kit of 3)
16		Filter Bracket Screw
17		Filter Bracket

Ref.	Part no.	Description
18	54-5826	Fluid Needle Assembly (4400psi)
19	54-5850	Blanking Needle Nut
22	54-5815	Spreader Valve Assembly
23		Body Bushing
24		Body Bushing Gasket
25		Trigger Nut
26		Trigger Screw
27		Top Filter Seal
28		Bottom Filter Seal
29	54-1836-K5	Disc Filter 60 Mesh (Kit of 5)
	54-1835	Disc Filter 100 Mesh (Kit of 1)
30		Disc Filter Housing
31		Disc Filter Retaining Nut

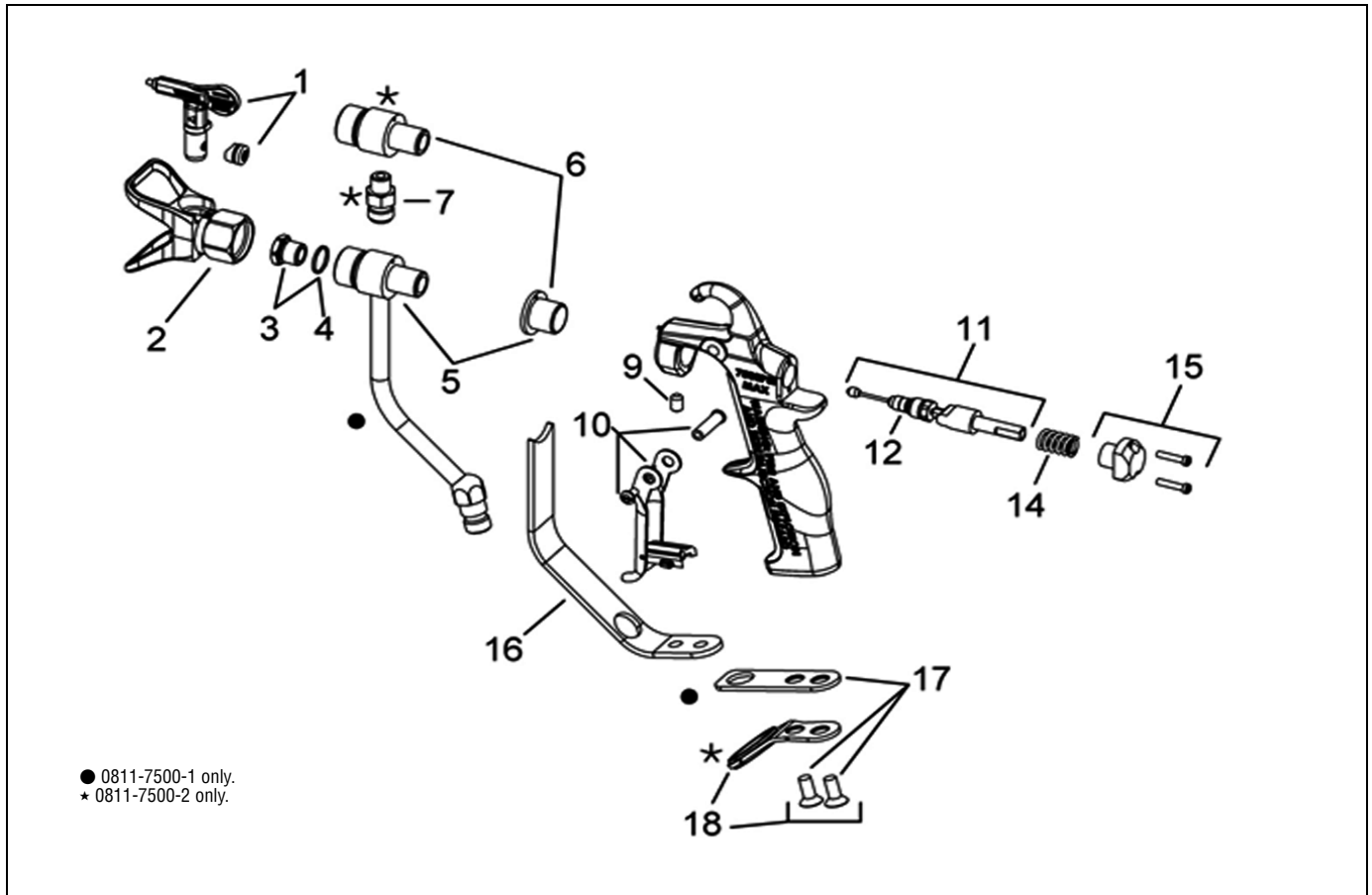
**Included in SPK-122 Twist Tip Conversion Kit

Accessories

opt.	54-5795-K	Flat Tip HVLP Aircap 9X-H
opt.	54-5797-K	Flat Tip Trans-Tech Aircap 9X-L
opt.	54-5798-K	Twist Tip Trans-Tech Aircap 9XT-L
	54-5835	Trigger Spares Kit (inc 10,25,26)
	54-5838	Fluid Inlet Kit (inc 13,14)
	54-5827	Filter Bracket Kit (inc 16,17)
	54-5829	Body Bushing Kit (inc 23, 24)
	54-5874-K10	Filter Seals Kit (inc, 27, 28) x 10
	54-4726-K	Disc Housing Kit (inc 30,31)

*Mandatory for operating pressures above 1000 psi

A75 (Airless)



Spare parts

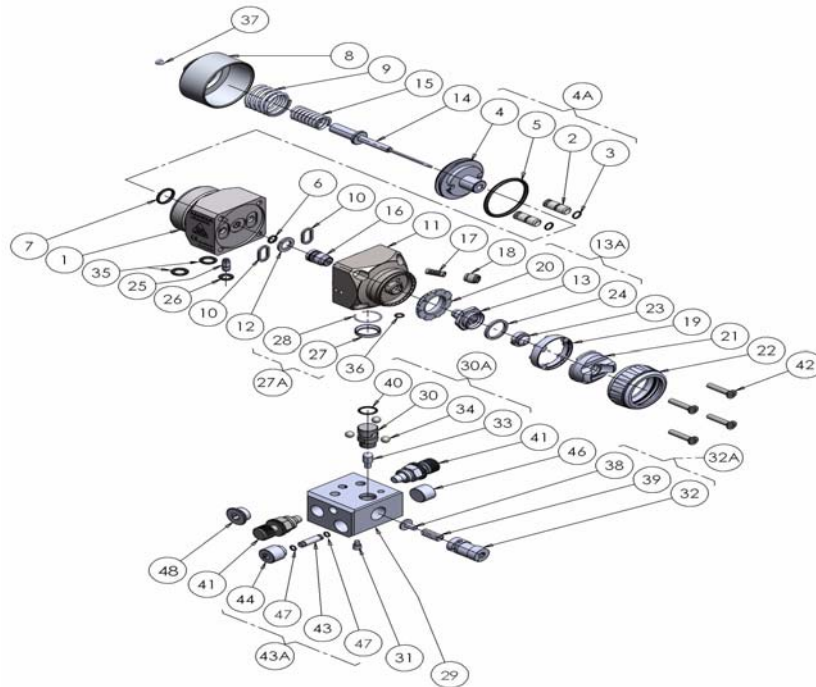
Ref.	Part no.	Description
1		Twist Tip 7500 psi
2	1108-75B	7500 psi Twist Tip Guardt
3	54-7511-K	Diffuser Nut Kit
4	54-2096-K5	Washer (Kit of 5)
5	54-7518-K	Fluid Tube Assembly kit
6	54-7523-K	Gun Head Kit
7	72-792	Inlet Adapter
9	20-5865-K3	Set Screw (kit of 3)
10	54-7534-K	Trigger Kit
11	54-7512	Needle Assembly
12	54-2949	Packing Gland
14	54-7508	Spring
15	54-7530-K	Rear Cap Kit
16	54-7527	Heat Guard (Accessory)
17	54-7510-K	Bracket Kit
18	54-7519-K	Hose Retainer

Accessories

72-2332	Swivel Adaptor 1/4" M x 1/4" F
72-2333	Swivel Adaptor 3/8" M x 1/4" F
72-2340	Swivel Adaptor with Inlet Filter (60 mesh)
72-2341	Swivel Adaptor with Inlet Filter (100 mesh)
54-1836	60 Mesh Filter
54-1835	100 Mesh Filter
52-5208	36" Airless Tip Extension 7500 PSI
52-5209	60" Airless Tip Extension 7500 PSI
52-5207	Airless Swivel Head
72-2339	High Pressure "Y" Block (7250 psi max)

Automatic Spray Guns

AA4400A
(AAA)



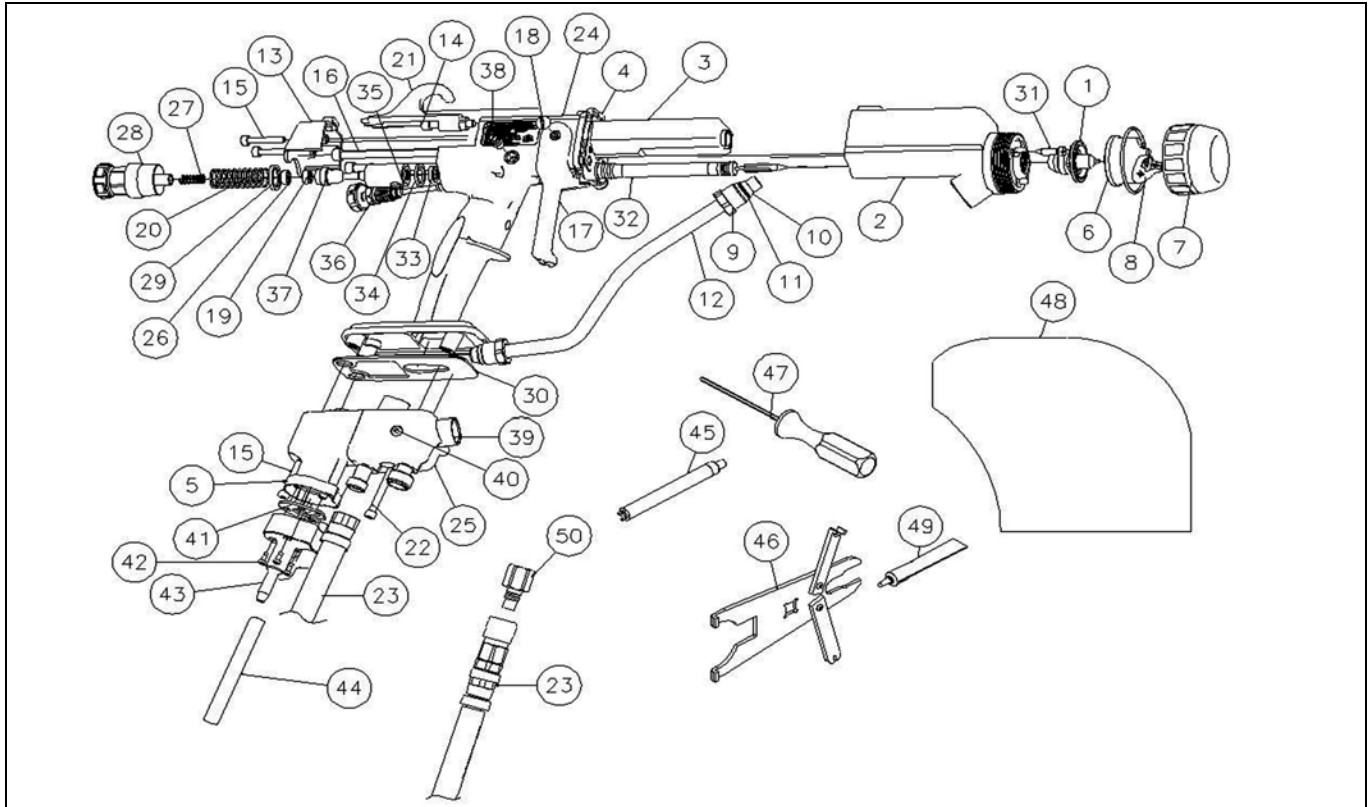
Automatic Guns

Spare parts

Ref.	Part no.	Description
1	SPA-65	Body
2		Air valve piston
3	S-28224X-K4	O-ring - viton extreme
4		Piston
4a	SPA-68-K	Piston assembly (Pos. 2(x2),3(x2),4 & 5)
5	SPA-45X-K2	O-ring - viton extreme
6	S-28219X-K4	O-ring - viton extreme
7	S-28220X-K2	O-ring - viton extreme
8	SPA-67	End cap
9	SPA-13	Piston spring
10	SPA-53-K10	Gasket
11	SPA-64-K	Sprayhead
	SPA-64H-K	Sprayhead - recirculation
12	SPA-97-K10	Gasket
13		Needle seat
13a	SPA-69-K	Seat assembly (Pos. 13,20 & 24)
14	SPA-79	Fluid needle assembly
15	SPA-77	Needle spring
16	SPA-76	Seal cartridge
17	SPA-73	Filter
18	SPA-72	Filter cap
19	SPA-70-K10	Index plate
20	SPA-71-K10	Baffle plate
21	54-5347	AA10 aircap
22	SPA-99-K	Retaining ring
23	114-XXXX	Carbide tip assembly (see table)
24	SPA-98-K10	Gasket
25	SPA-52	Air tube
26	S-28223X-K4	O-ring - viton extreme
27		Locking seat
27a	SPA-74-K	Seat & ring (Pos. 27 & 28)

Ref.	Part no.	Description
28		Snap ring
29	SPA-66-K	Manifold
	SPA-66H-K	Manifold - head recirculation
30		Cage
30a	SPA-80-K	Cage assembly (Pos. 30,33,34(x3) & 40)
31	SPA-59	Retaining screw
32		Cam
32a	SPA-83-K	Cam assembly (Pos. 32,38 & 39)
33		Plunger
34	SPA-81-K6	Stainless steel ball
35	SPA-29X-K4	O-ring - viton extreme
36	SPA-44X-K4	O-ring - viton extreme
37	SPA-54	Vent cap
38		Spring plug
39		Cam spring
40	SPA-47X-K2	O-ring - viton extreme
41	AGG-403	Control valve
42	S-14192-K4	Torx screw
Accessories		
43		Recirculation bung
43a	SPA-93-K	Bung & o-rings (Pos. 43 & 44 & 47(x2))
44		Bung plug (For pos. 43)
46	SPA-94	1/4" NPT plug
47	SPA-48X-K2	O-ring - viton extreme
48	SPA-111-K2	Plug for Item 41
	SPA-115	Elbow 1/4" NPT NPS (275 Bar MWP)
	SPA-116	Elbow 1/4" NPT BSP (275 Bar MWP)
Seal Kits		
	SPK-119	Dynamic seal kit (Pos 3(x2),5,6 & 7)
	SPK-120	Needle seal kit (Pos. 10(x2),12 & 16)
	SPK-121	Manifold seal kit (26, 35(x2) & 36(x2))

Solo LP 65kV (solvent-based paint)



Spare parts

Ref.	Part no.	Description
1	79377-44	Nozzle, Fluid, 1.4mm
2	79906-00	Assembly, Barrel, Vector Solo
3	79907-00	Cascade Assembly
4	79832-00	Gasket, Barrel
5	79881-00	Gasket, Exhaust, Wrap-Around
6	79374-65	Air Cap (Standard)
7	79724-00	Nut, Retaining, Air Nozzle
8	LSOR0005-17	O-ring, PTFE encapsulated
9	79385-00	Nut, Connector, Hose
10	EMF-202-05	Ferrule, Back 3/8" Tube
11	EMF-203-05	Ferrule, Front 3/8" Tube
12	79878-12	Tube, Fluid Inlet, 3.2mm ID (.125")
	79878-13	Tube, Fluid Inlet, 3.4mm ID (.250")
	79878-01	Tube, Fluid Inlet, 2.4mm ID (.093")
13	79816-00	Assembly, Rear Cover
14	79798-03	SHCS, M5 x 30"
15	79799-01	Socket Head Cap Screw, M4 x 25mm
16	79798-02	Socket Head Cap Screw, M5 x 80mm
17	79787-00	Assembly, Trigger
18	79454-00	Screw, Trigger Retention
19	79768-00	Nut, Fluid Jam, Front
20	79774-00	Spring, Air Valve Return
21	79701-00	Hook, Moulded
22	79799-02	SHCS, M4 x 30mm
23	79727-10*	Assembly, Air Hose, Solo
24	79833-02	Assembly, Handle, Vector Solo (Includes Items 33,34,35,36,37, and 38)
24A	79833-03	Assembly, Handle Only
25	79835-00	Assembly, Power Module (Includes Items 39,40,41,42 and 43)

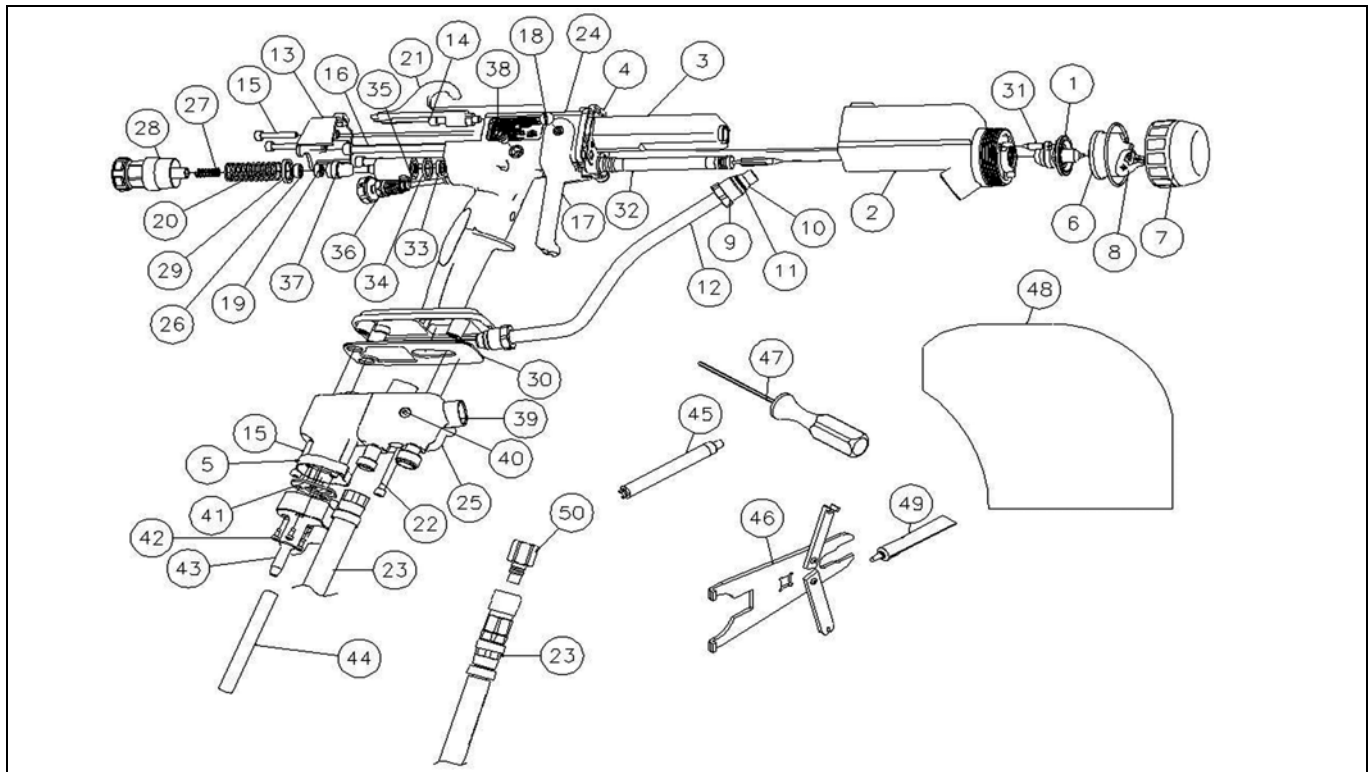
Ref.	Part no.	Description
26	79768-00	Nut, Fluid Jam, Spring Guide
27	78636-00	Spring
28	79789-00	Assembly, Rear Fluid Adjustment
29	79781-00	Seal, Adjustment Bushing
30	79837-00	Gasket, Handle to Power Module
31	79809-00	Pressure Reducer, Atomizing Air, Vector Solo
32	79911-00	Kit, Shaft Assembly, 2 Piece Needle
33	79760-00	Seal, Air Valve
34	79769-00	Seal, Air Cartridge
35	79770-00	Cartridge, Air Valve
36	79759-00	Assembly, Fan Air Adjust Valve
37	79772-00	Assembly, Air Valve
38	79847-00	Valve, Atom Adjust
	79847-01	Plug, Atom (Standard Installed on applicator)
39	79755-00	Fluid Inlet
40	79814-00	SHCS, M4 x 20mm
41	79836-00	Gasket, Exhaust
42	79805-00	Screw
43	79843-00	Assembly, Exhaust Housing
44	79861-00	Hose, Exhaust
45	79793-00	Jam Nut Removal/Seal Tool
46	79854-00	Wrench, Vector Solo
47	79862-01	Hex Driver (2.5mm)
48	79529-00-K5	Applicator Cover
49	LSCH0009-00	Dielectric Grease
50	79869-00	Stem, Male QD (Included with QD Ordered Models)

*Other hose lengths are available on request

Electrostatic Spray Guns

Solo 85kV LP

(solvent-based paint)



Spare parts

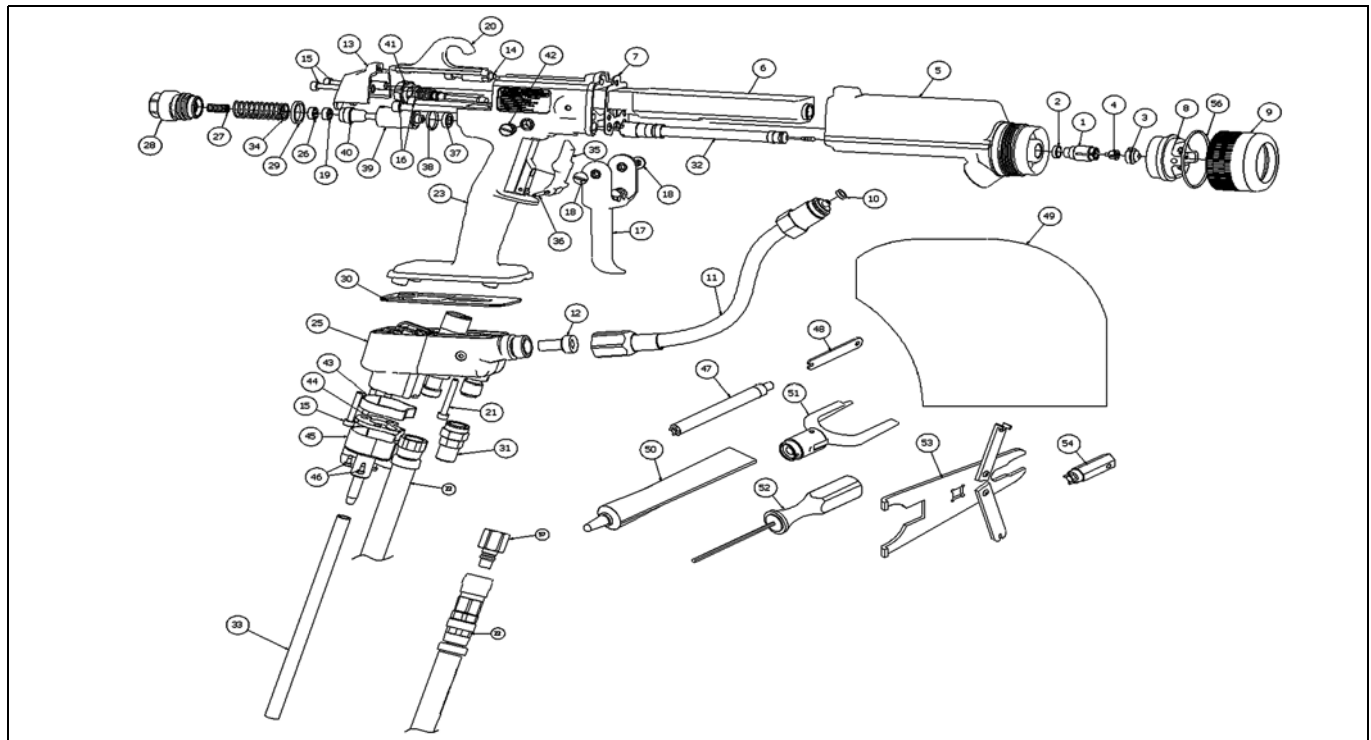
Ref.	Part no.	Description
1	79377-44	Nozzle, Fluid, 1.4mm
2	79736-00	Assembly, Barrel, Vector Solo
3	79600-00	Cascade Assembly
4	79832-00	Gasket, Barrel
5	79869-00	Stem, Male QD
6	79374-65	Air Cap (Standard)
7	79724-00	Nut, Retaining, Air Nozzle
8	LSOR0005-17	O-ring, PTFE encapsulated
9	79385-00	Nut, Connector, Hose
10	EMF-202-05	Ferrule, Back 3/8" Tube
11	EMF-203-05	Ferrule, Front 3/8" Tube
12	79878-02	Tube, Fluid Inlet, 3.2mm ID (.125")
	79878-03	Tube, Fluid Inlet, 3.4mm ID (.250")
	79878-01	Tube, Fluid Inlet, 2.4mm ID (.093")
13	79816-00	Assembly, Rear Cover
14	79798-03	SHCS, M5 x 30"
15	79799-01	Socket Head Cap Screw, M4 x 25mm
16	79798-02	Socket Head Cap Screw, M5 x 80mm
17	79787-00	Assembly, Trigger
18	79454-00	Screw, Trigger Retention
19	79762-00	Nut, Fluid Jam, Front
20	79774-00	Spring, Air Valve Return
21	79701-00	Hook, Moulded
22	79799-02	SHCS, M4 x 30mm
23	79727-10*	Assembly, Air Hose, Solo
24	79833-02	Assembly, Handle, Vector Solo (Includes Items 33,34,35,36,37, and 38)
24A	79833-01	Assembly, Handle Only
25	79835-00	Assembly, Power Module (Includes Items 39,40,41,42 and 43)

Ref.	Part no.	Description
26	79768-00	Nut, Fluid Jam, Spring Guide
27	78636-00	Spring
28	79789-00	Assembly, Rear Fluid Adjustment
29	79781-00	Seal, Adjustment Bushing
30	79837-00	Gasket, Handle to Power Module
31	79809-00	Pressure Reducer, Atomizing Air, Vector Solo
32	79853-00	Kit, Shaft Assembly, 2 Piece Needle
33	79760-00	Seal, Air Valve
34	79001-09	O-ring, Solvent Proof
35	79770-00	Cartridge, Air Valve
36	79759-00	Assembly, Fan Air Adjust Valve
37	79772-00	Assembly, Air Valve
38	79847-00	Valve, Atom Adjust
	79847-01	Plug, Atom (Standard Installed on applicator)
39	79755-00	Fluid Inlet
40	79814-00	SHCS, M4 x 20mm
41	79836-00	Gasket, Exhaust
42	79805-00	Screw
43	79843-00	Assembly, Exhaust Housing
44	79861-00	Hose, Exhaust
45	79793-00	Jam Nut Removal/Seal Tool
46	79854-00	Wrench, Vector Solo
47	79862-01	Hex Driver (2.5mm)
48	79529-00-K5	Applicator Cover
49	LSCH0009-00	Dielectric Grease
50	79881-00	Gasket, Exhaust, Wraparound
51	80003-00-K10	Cover, Solo Power Module

*Other hose lengths are available on request

Solo AA90 HP

(solvent-based paint)



Spare parts

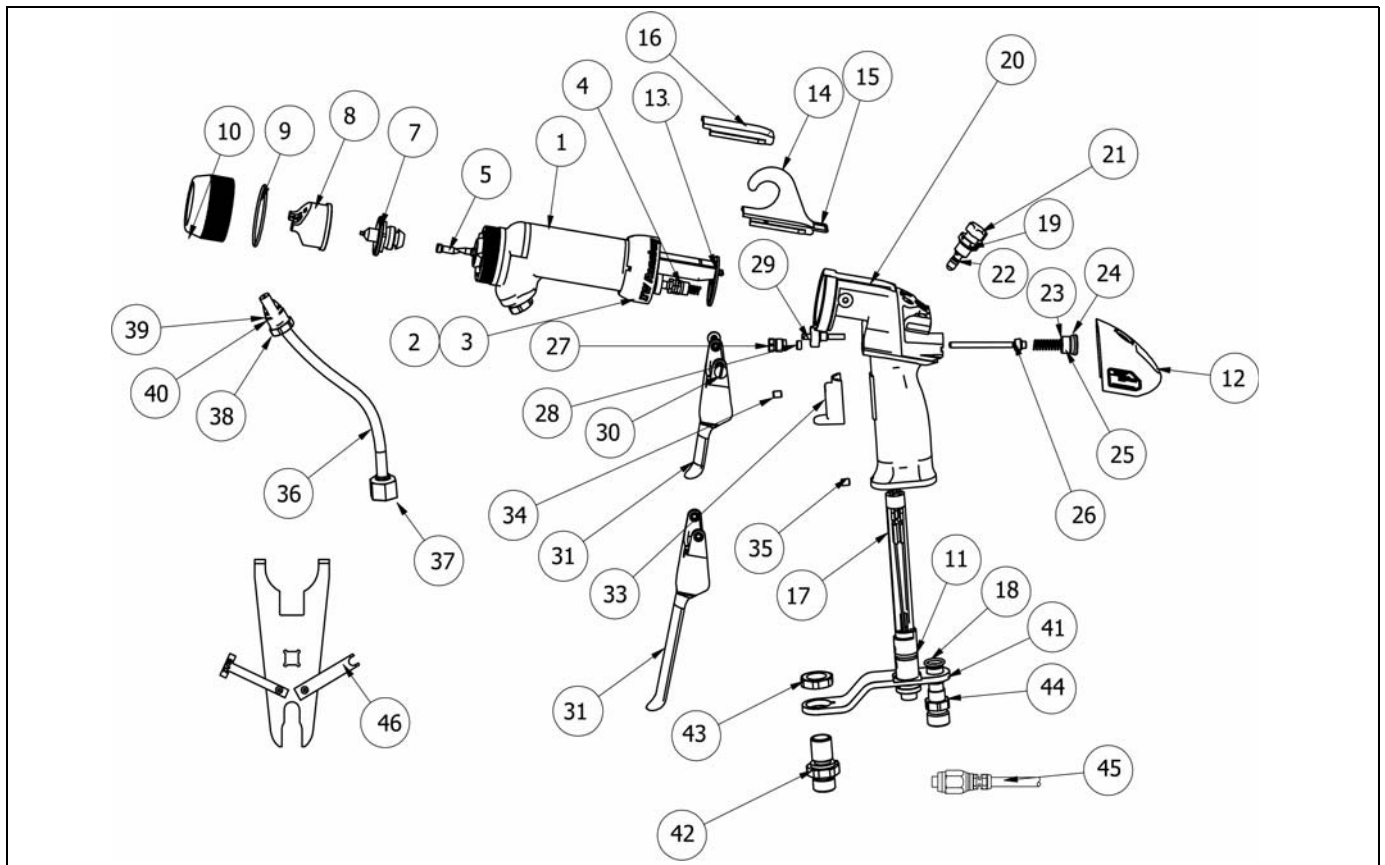
Ref.	Part no.	Description
1	79668-00	Assembly, Fluid Nozzle
2	72375-03	Seal, PTFE
3	79691-0811	Carbide Tip Assembly
4	79692-00	Seal, No Pre-Orifice
	79692-00-K3	Kit of 3 (Optional, No Pre-Orifice)
5	79689-00	Assembly, Vector Solo AA90 Barrel
6	79600-00	Cascade Assembly
7	79832-00	Gasket, Barrel
8	79695-00	Assembly, Air Cap, Vector Solo AA90
9	79568-00	Ring, Retaining, Air Assist
10	72375-02	Seal, PTFE
11	79921-00	Assembly, Fluid Tube, Vector Solo AA90
12	7720-01-K3	Filter, Paint (Standard, .005" Spacing, 100 Mesh)
	7720-02-K3	Filter, Paint (Optional, .009" Spacing, 60 Mesh)
13	79816-00	Assembly, Rear Cover
14	79798-03	Socket Head Cap Screw, M5 X 30
15	79799-01	Socket Head Cap Screw, M4 X 25
16	79798-02	Socket Head Cap Screw, M5 X 80
17	79694-00	Trigger, Modified, Vector Solo AA90
18	79454-00	Screw, Trigger Retention
19	79762-00	Nut, Fluid Jam
20	79701-00	Hook, Molded
21	79799-02	Socket Head Cap Screw, 4mm X 30mm Lg.
22	79727-10	Assembly, Air Hose 10m*
23	79833-04	Assembly, Handle Vector Solo AA90 (Includes Items 34, 35, 36, 37, 38, 39, 40, and 41)
24	79835-00	Assembly, Handle Only
25	79835-01	Assembly, Power Module (Includes Items 42, 43, 44, and 45)
26	79666-00	Nut, Jam
27	78824-00	Spring
28	79673-00	Assembly, Air Valve Knob

Ref.	Part no.	Description
29	79781-00	Seal, Adjustment Bushing
30	79837-00	Gasket, Power Module
31	79920-00	Swivel, High Pressure, Vector Solo AA90
32	79688-00	Assembly, Needle Shaft, Vector Solo AA90
33	79861-00	Tubing, Clear Tygothane Polyurethane, 1/4" ID X 3/8" OD
34	79774-00	Spring, Air Valve Return
35	79662-00	Trigger Lock
36	79602-00	Roll Pin
37	79760-00	Seal, Air Valve
38	79001-09	O-Ring, Solvent Proof
39	79770-00	Cartridge, Air Valve
40	79772-00	Assembly, Air Valve
41	79759-00	Assembly, Fan Air Adjust Valve
42	79847-00	Valve, Atom Adjust (Optional)
	79847-01	Plug, Atom (Standard installed in applicator)
43	79881-00	Gasket, Exhaust, Wrap-Around
44	79836-00	Gasket, Exhaust
45	79843-00	Assembly, Exhaust Housing
46	79805-00	Screw
47	79793-00	Jam Nut Removal/Seal Install Tool
48	74133-00	Wrench, Needle Shaft
49	79529-00-K5	Applicator Cover
50	LSCH0009-00	Dielectric Grease
51	79642-00	Cap Removal Tool
52	79862-01	Hex Driver (2.5mm, 3mm, and 4mm) Wrench
53	79854-00	Packing Adjust, Barrel Removal, Nozzle Removal
54	79676-00	Wrench, Nozzle Removal
55	7994-36	Fluid Hose 3/16" ID- 11m*
56	LSOR0005-17	O-Ring, PTFE Encapsulated
57	79869-00	Stem, Male QD (Included With QD Ordered Models)

*Other hose lengths are available on request

Electrostatic Spray Guns

Vector Cascade



Electrostatic

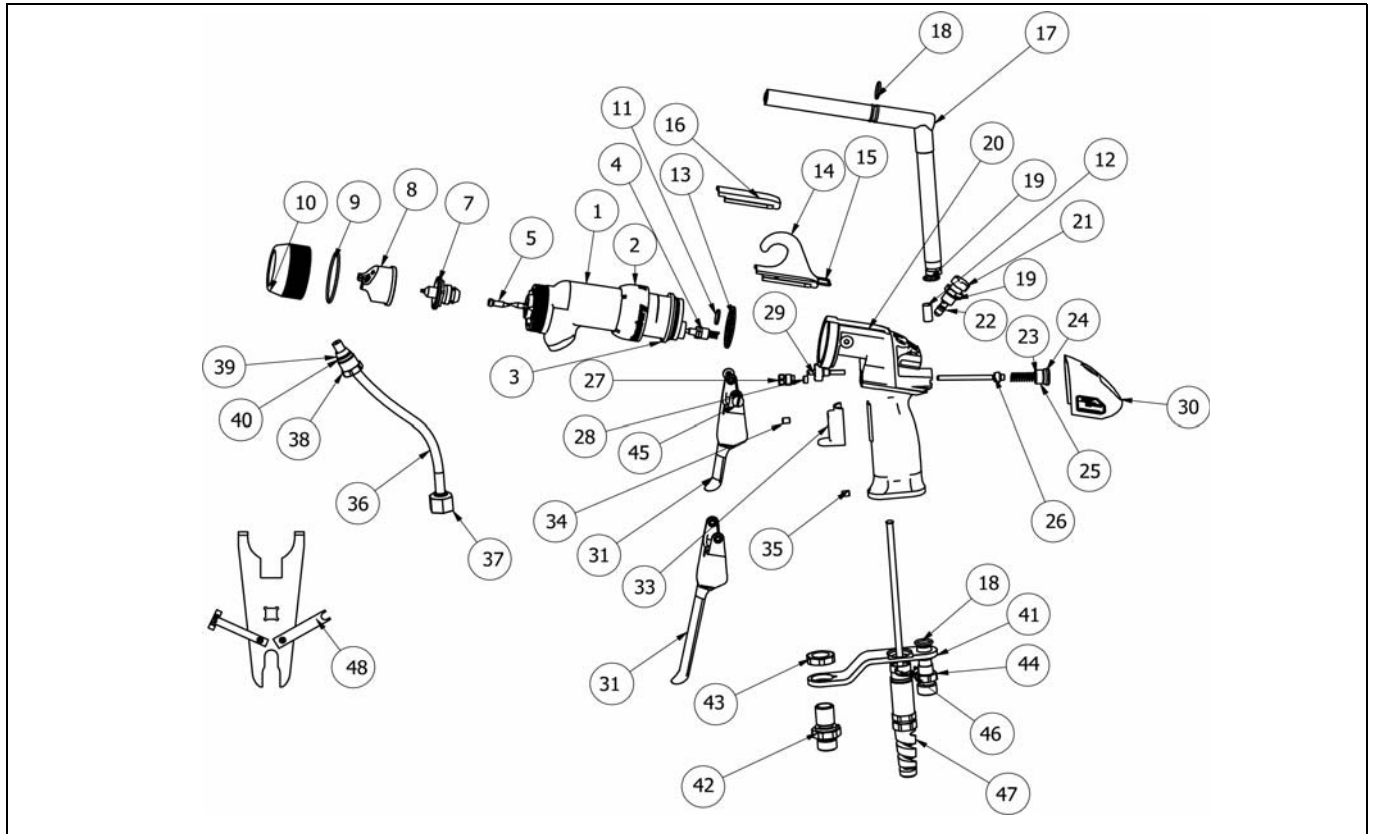
Spare parts

Part no.	Description
1	79468-00 R90 Barrel
	79469-00 R70 Barrel
2	79373-00 Barrel retaining nut
3	75326-00 Retaining ring
4	79599-01 Needle shaft R90, 2K Packings
	79599-02 Needle shaft R70, 2K Packings
5	74963-05 Restrictor, standard
7	79377-45 Nozzle, standard, see table
8	79374-65 Air cap, 65V Standard, see table
9	LSOR0005-17 O-ring, PTFE black
10	79379-00 Nozzle retaining ring
11	79001-09 O-ring, solvent-resistant
12	79471-01 Rear cover assembly
13	79378-00 Barrel cover gasket
14	79322-00 Hook
15	79479-00 O-ring, solvent-resistant
16	79322-11 Hook
17	79460-03 Plug assembly
18	79001-08 O-ring, solvent-resistant
19	79001-07 O-ring, solvent-resistant
20	79476-00 Gun handle
21	79445-10 Fan air adjust assembly
22	79001-16 O-ring, solvent-resistant
23	17130-00 Return spring
24	79001-31 O-ring, solvent-resistant
25	79453-00 Air valve cap
26	79310-00 Air valve

Part no.	Description
27	78635-00 Retaining nut
28	10051-05 Seal
29	79560-00 Trigger stop
30	79454-00 Trigger retention screw
31	79325-02 2 finger trigger bracket
32	79325-04 4 finger trigger bracket
33	79324-00 Handle piece, finger form
34	19603-08F Screw
35	19603-10F Screw
36	9704-16 Paint tube 3,2 mm ID
37	3587-03 Union nut
38	79385-00 Nut
39	EMF-202-05 Sleeve before
40	EMF-203-05 Sleeve back
41	79439-00 Bracket 45°
42	70442-00 Material inlet
43	10553-05 Hex. Nut
44	18847-01 Air inlet 1/4"
	18847-00 Air inlet 3/8"
45*	79338-10 Low-voltage cable 10m
46	19749-00 Gun spanner
47	72315-00 Conductive ferrule
48	6241-06 Fluid fitting
49	7787-03 Swivel fitting

* Other cable lengths are available on request.

VECTOR Classic (solvent-based paint)



Spare parts

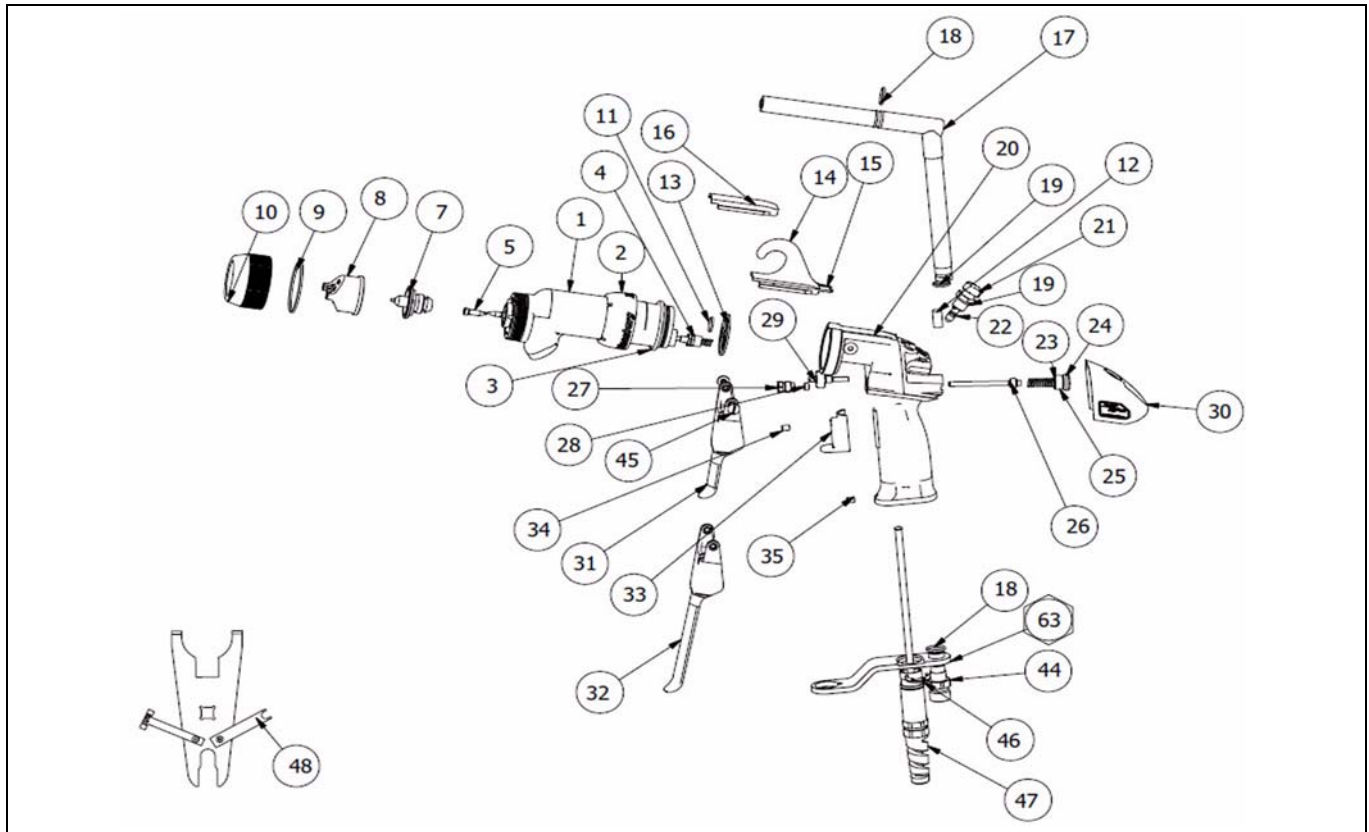
Ref.	Part no.	Description
1	79465-85	R90 Barrel
	79465-65	R70 Barrel
2	79373-00	Retaining barrel nut
3	75326-00	Retaining ring
4	79599-01	Needle shaft R90, 2K Packings
	79599-02	Needle shaft R70, 2K Packings
5	74963-05	Restrictor
7	79377-45**	Nozzle see table
8	79374-65**	Air cap see table
9	LSOR0005-17	O-ring, PTFE encapsulated
10	79379-00	Nozzle retaining nut
11	14061-05	Conductive sponge 17/32"x1/4"
12	14061-08	Conductive sponge 5/16"x3/4"
13	79378-00	Barrel cover gasket
14	79322-00	Hook
15	79479-00	O-ring
16	79322-11	Hook
17	70397-01	Resistor housing R70
	70397-02	Resistor housing R90
18	79001-08	O-ring, solvent-resistant
19	79001-07	O-ring, solvent-resistant
20	79476-00	Gun handle
21	79445-10	Fan air adjust assembly
22	79001-16	O-ring, solvent-resistant
23	17130-00	Return spring
24	79001-31	O-ring, solvent-resistant
25	79453-00	Air valve cap

Ref.	Part no.	Description
26	79310-00	Air valve
27	78635-00	Retaining air valve nut
28	10051-05	Spring loaded cup seal
29	79560-00	Trigger stop
30	79471-11	Rear applicator assembly cover
31	79325-02	2 finger trigger bracket
33	79324-00	Handle piece, finger form
34	19603-8F	Set screw
35	19603-10F	Set screw
36	9704-16	Paint tube 3.2 mm ID
37	3587-02	Nut and ferrule
38	79385-00	Hose connector nut
39	EMF-202-05	Back ferrule
40	EMF-203-05	Front ferrule
41	79439-00	Bracket 45°
42	70442-00	Material inlet
43	10553-06	Hex. nut
44	18847-01	Air inlet 1/4"
	18847-00	Air inlet 3/8"
45	79454-00	Trigger retention screw
46	79521-00	High voltage cable retaining clip
47*	79519-10	High-voltage 10m cable for R70
	79518-10	High-voltage 10m cable for R90
48	19749-00	Gun spanner

* Other cable lengths are available on request.

Electrostatic Spray Guns

VECTOR Classic (water-based paint)



Spare parts

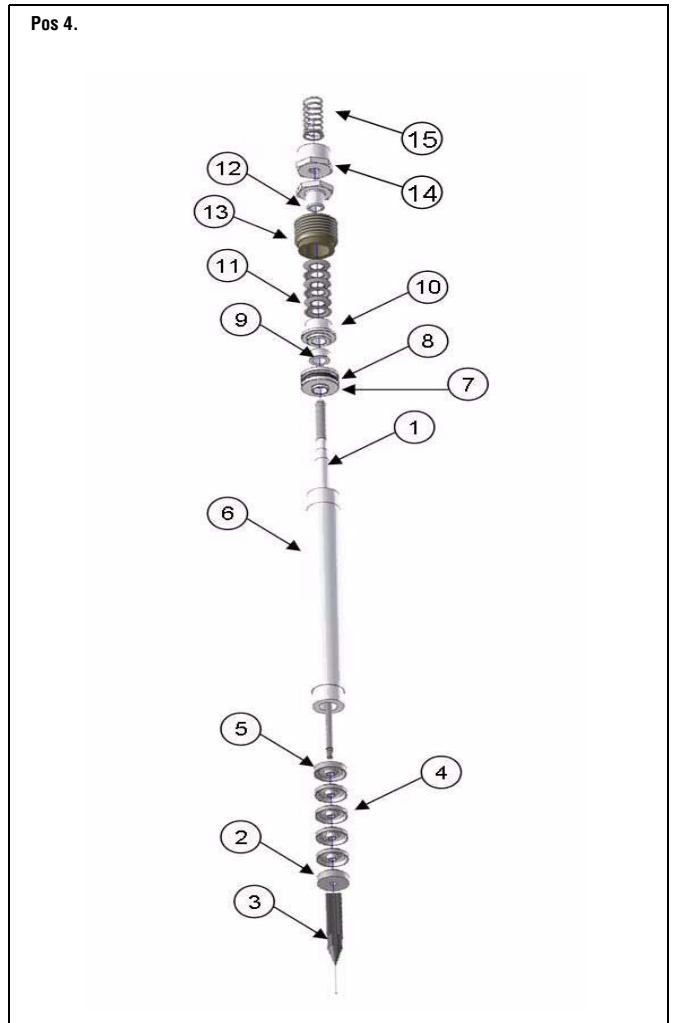
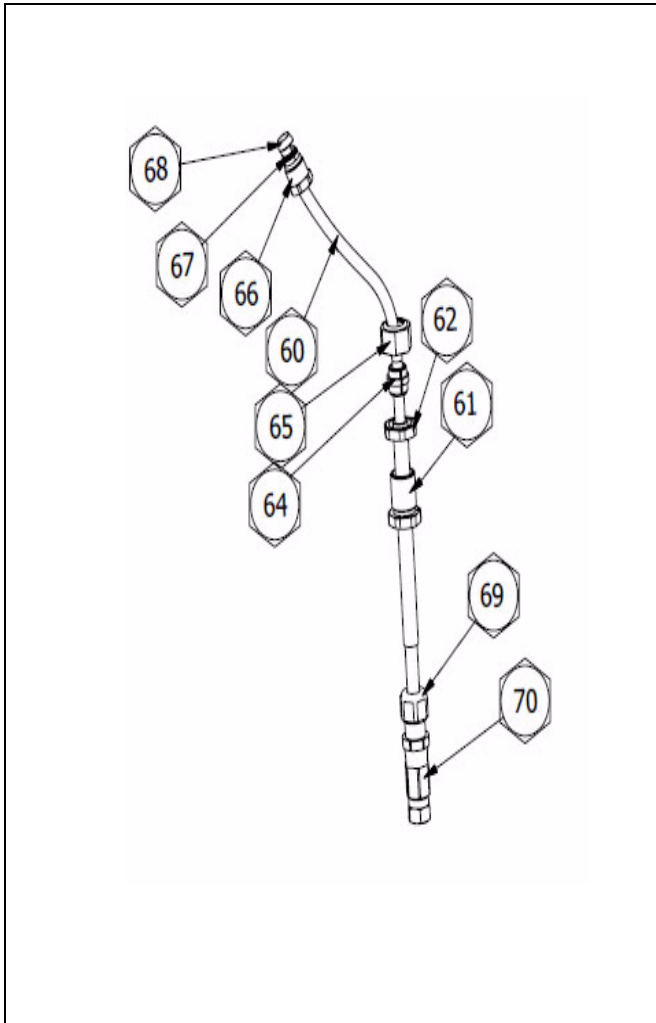
Part no.	Description
1	79465-85 R90 barrel 79465-65 R70 barrel
2	79373-00 Retaining nut
3	75326-00 Retaining ring
4	78628-11 Needle shaft R90 78628-12 Needle shaft R70
5	74963-05 Restrictor
6	79001-09 O-ring, solvent-resistant
7	79377-45 Nozzle, standard see table
8	79374-65 Air cap 65V standard, see table
9	LSOR0005-17 O-ring, PTFE black
10	79379-00 Nozzle retaining ring
11	14061-05 Conductive sponge 17/32"x1/4"
12	14061-08 Conductive sponge 5/16"x3/4"
13	79378-00 Gasket
14	79322-00 Hook
15	79479-00 O-ring
16	79322-11 Hook
17	70397-01 Resistor housing R70 70397-02 Resistor housing R90
18	79001-08 O-ring, solvent resistant
19	79001-07 O-ring, solvent resistant
20	79476-00 Gun handle
21	79445-10 Fan air adjust
22	79001-16 O-ring, solvent resistant
23	17130-00 Return spring
24	79001-31 O-ring, solvent resistant
25	79453-00 Retaining cap

Part no.	Description
26	79310-00 Air valve
27	78635-00 Retaining nut
28	10051-05 Cup seal
29	79560-00 Trigger stop
30	79471-11 Cover
31	79325-02 2 finger trigger bracket
32	79325-04 4 finger trigger bracket
33	79324-00 Finger moulded shelf
34	19603-8F Set screw
35	19603-10F Set screw
41	70399-00 Bracket
42	70398-00 Material inlet
43	10553-06 Hex. nut
44	18847-01 Air inlet 1/4" 18847-00 Air inlet 3/8"
45	79454-00 Trigger retention screw
46	79521-00 Retaining clip, high voltage cable
47*	79518-10 High-voltage cable, 10m for R90 79519-10 High-voltage cable, 10m for R70
48	19749-00 Gun spanner

*Other cable lengths are available on request

VECTOR Classic

(solvent-based paint and water-based paint)



Spare parts

	Part no.	Description
60	79525-10*	Fluid hose assembly 1/4" ID, 10m
	79524-10*	Fluid hose assembly, 3/16" ID, 10m
60a	74179-XX	Bulk tube, fluid, 1/4" ID
	72307-XX	Bulk tube, fluid, 3/16" ID
61	72310-00	Bulk head connector
62	10553-05	Hex nut
63	79438-00	Bracket, support offset
	79438-01	Bracket, support offset (stainless steel)
64	72315-00	Connective ferrule
65	3587-02	Nut 3/8"
66	79385-00	Hose connector nut
67	EMF-203-05	Ferrule tube, front 3/8"
68	EMF-202-05	Ferrule tube, back 3/8"
69	6241-06	Fluid fitting
70	7787-03	Swivel fitting

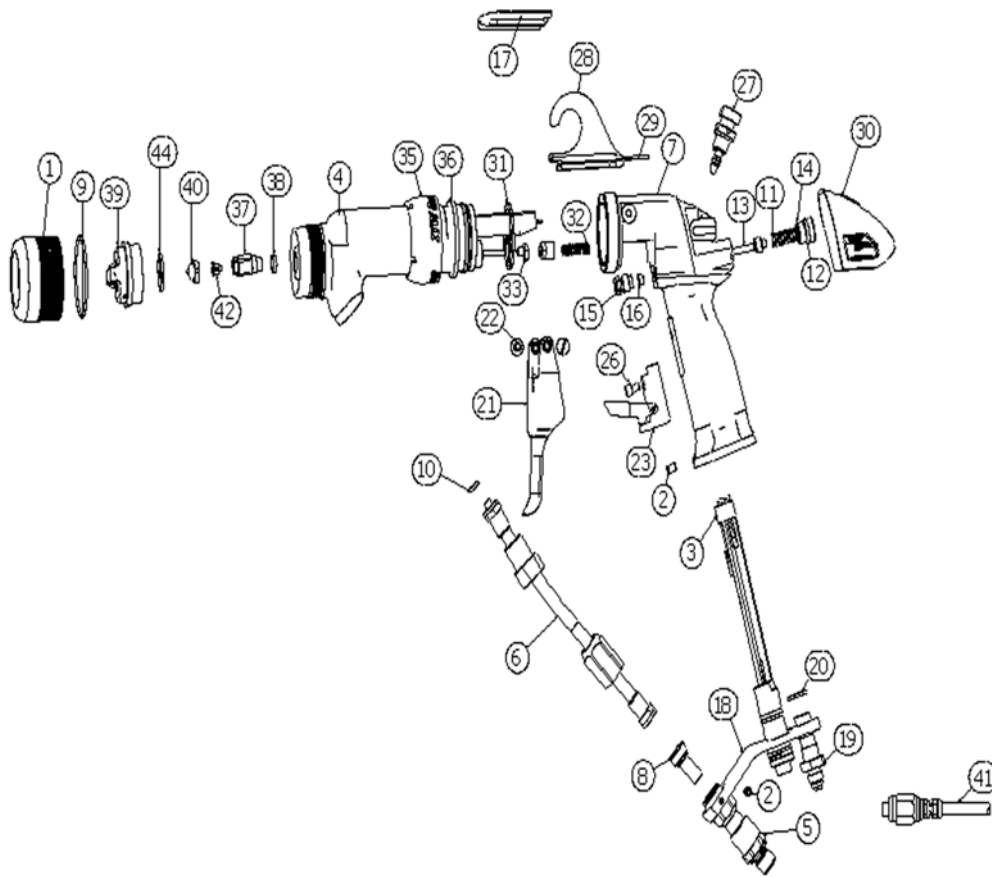
* Includes items 60a,62,64,65,69, 70.

Spare parts needle shaft

	Part no.	Description
1	78627-04	Shaft Assembly, 2-Piece Needle, R90, 2k Packings
	78627-05	Shaft Assembly, 2-Piece Needle, R70, 2k Packings
2	74653-00	Adapter, Male Chevron
3	70430-01	Electrode, High Wear
4	14323-00-K4	Seal, Chevron
5	18821-00	Adapter, Female Chevron
6	18842-01	Packing R90
	18842-02	Packing R70
7	78629-00	Retaining ring, needle seal
8	79001-06	O-ring, solvent-resistant
9	10051-05	Seal
10	78630-00	Seal
11	17390-04	Washer, Beville Spring
12	78632-00	Cover nut
13	78631-00	Nut, Packing
14	78633-00	Spring holder
15	78824-00	Spring

Electrostatic Spray Guns

VECTOR AA90 Cascade



Electrostatic

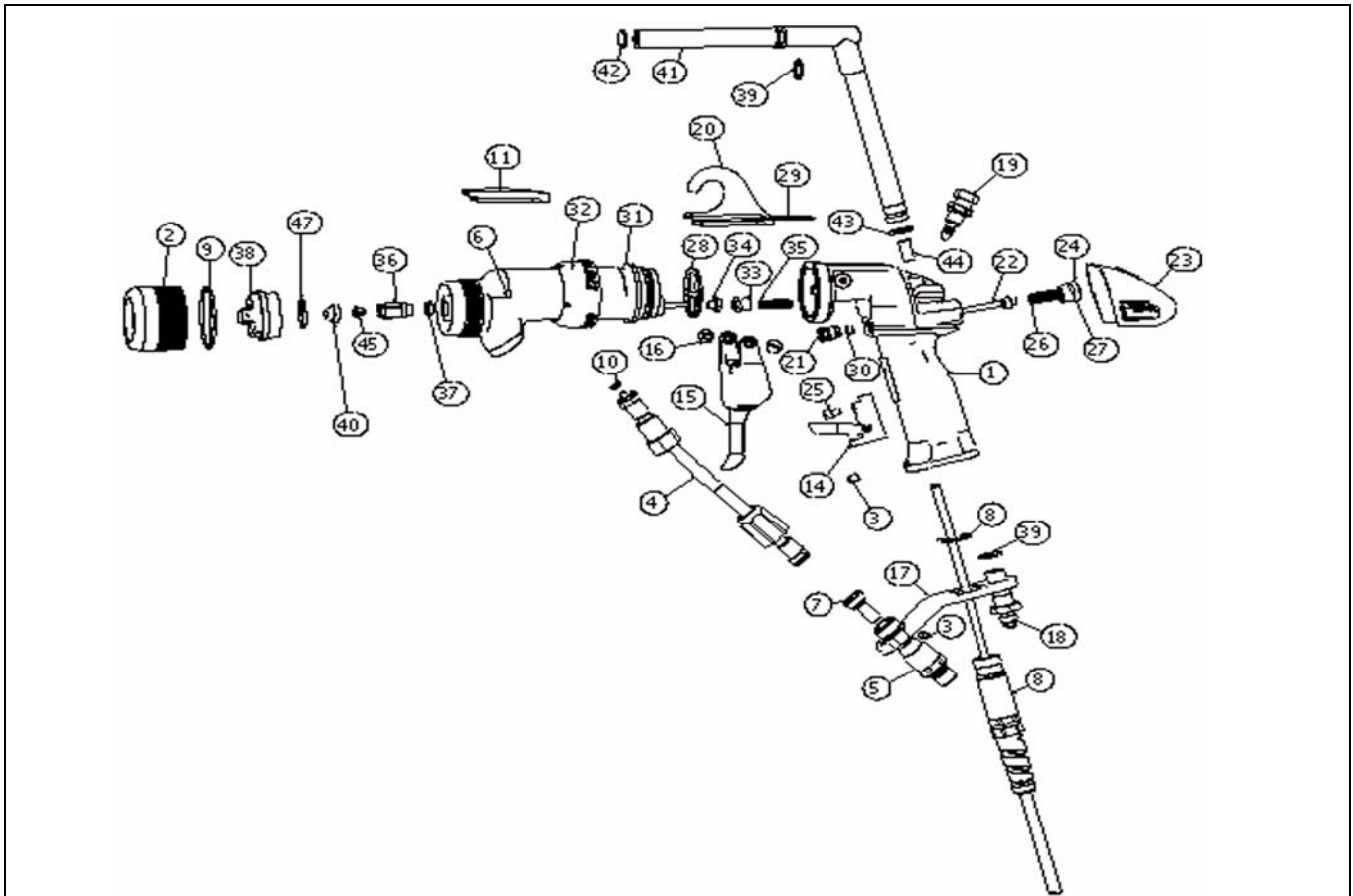
Spare parts

Ref.	Part no.	Description
1	79568-00	Retaining ring, air assist
2	19603-08F	Set screw, cup point (2 x required)
3	79460-04	Assembly plug, low voltage
4	79588-00	Barrel assembly AA90 with needle, retaining ring
	79586-00	Barrel assembly AA90
5	11842-28	Swivel, high pressure
6	77096-00	Fluid tube assembly
7	79476-01	Handle assembly
8	7720-01-K3	Filter, paint, .005 web spacing, 100 mesh (fine)
	7720-02-K3	Filter, paint, .009 web spacing, 60 mesh (coarse)
9	LSOR0005-17	O-ring, PTFE encapsulated
10	72375-02	Seal, PTFE
11	17130-00	Return spring
12	79001-31	O-ring, solventproof
13	79310-00	Rod assembly, dual stage air valve
14	79453-00	Retaining cap, air valve
15	78635-00	Retaining nut, air valve
16	10051-05	Spring loaded cup seal
17	79322-11	Hook
18	79570-00	Bracket, support, offset
19	11842-19	Air inlet fitting
20	79001-08	O-ring, solvent proof
21	79325-02	Trigger, molded, 2-finger
22	79454-00	Trigger retention screw (2 required)
23	79638-00	Trigger Lock Assembly

Ref.	Part no.	Description
26	8301-08C	SHCS
27	79566-10	Fan click adjust assembly
28	79322-00	Hook, moulded
29	79479-00	O-ring, cord
30	79471-01	Rear cover assembly
31	79378-00	Barrel cover gasket
32	78824-00	Spring
33	78632-00	Locking nut, needle shaft
34	78633-00	Spring retainer, needle shaft
35	79373-00	Retaining ring nut
36	75326-00	Ring, retaining
37	79668-00	Valve seat body assembly
38	72375-03	Seal, PTFE
39	79695-00	Air cap, air assist
40	79691-XX	Carbide Tip Assemblies, see table
41*	79338-10	Cable, Low Voltage, 10m*
42	79634-00-K3	Conversion Kit for M90 AAA Tips
44	LSOR0005-11	O-ring PTFE encapsulated (included in ref. 39)

*Other cable lengths are available on request

Vector AA90 Classic



Spare parts

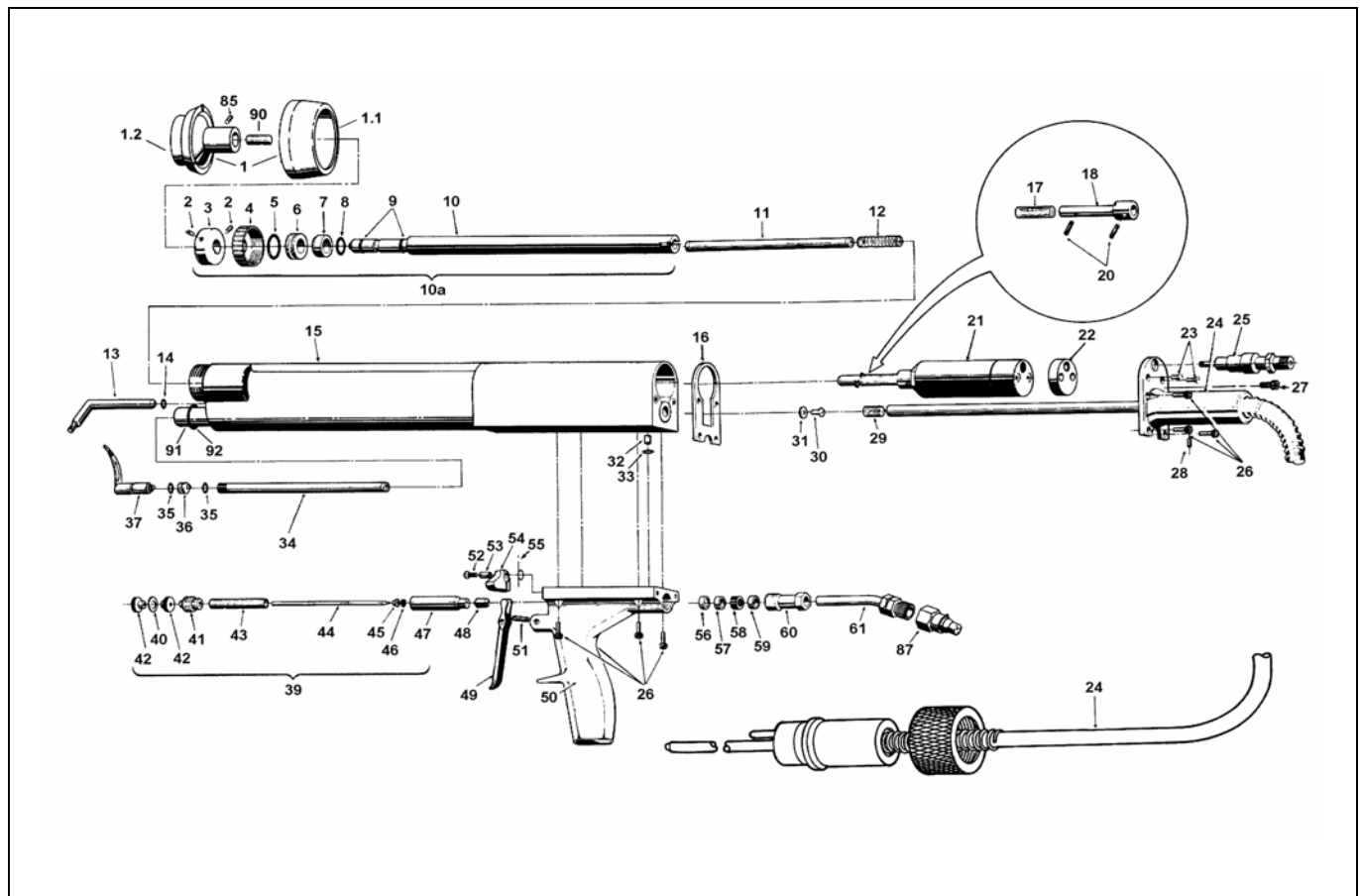
Ref.	Part no.	Description
1	79476-01	Handle assembly
2	79568-00	Retaining ring, air assist
3	19603-8F	Set screw, cup point
4	77096-00	Fluid tube assembly
5	76105-00	High pressure swivle
6	79584-00	Assembly, barrel, AA90 Classic with needle, retaining ring & resistor tube
	79583-00	Barrel assembly
7	7720-01-K3	Filter paint, .005 web spacing, 100 Mesh (Fine)
	7720-02-K3	Filter, paint, .009 web spacing, 60 mesh (coarse)
8	79519-10	Cable assembly, high voltage, 10m*
9	LSOR0005-17	O-ring, PTFE encapsulated
10	72375-02	Seal, PTFE
11	79322-11	Hook
14	79638-00	Trigger Lock Assembly
15	79325-02	2 finger trigger bracket
16	79454-00	Trigger retention screw (2 required)
17	79570-00	Bracket, support, offset
18	74189-00	Air inlet fitting
19	79566-10	Fan click adjust
20	79322-00	Hook
21	78635-00	Air valve retaining ring
22	79310-00	Rod assembly, dual stage air valve
23	79471-11	Rear housing assembly
24	79453-00	Air cap retaining ring
25	8301-08C	SHCS
26	17130-00	Return spring

Ref.	Part no.	Description
27	79001-31	O-ring, solvent proof
28	79378-00	Gasket,
29	79479-00	O-ring, cord
30	10051-05	Spring loaded cup seal
31	75326-00	Retaining ring
32	79373-00	Retaining barrel nut
33	78633-00	Spring retainer, needle shaft
34	78623-00	Locking nut, needle shaft
35	78824-00	Spring
36	79668-00	Valve seat assembly
37	72375-03	Seal, PTFE
38	79573-00	Air cap assembly
39	79001-08	O-ring, solvent proof
40	79691-XX	Carbide Tip Assemblies, see table
41	70397-02	Resistor housing, potted
42	14061-05	Conductive sponge
43	79001-07	O-ring, solvent proof
44	14061-08	Conductive sponge
45	79634-00-K3	Carbide tip seal, pack of 3
47	LSOR0005-11	O-ring, PTFE encapsulated
48	79642-00	Cap removal tool

*Other cable lengths are available on request

Electrostatic Spray Guns

No. 2 gun



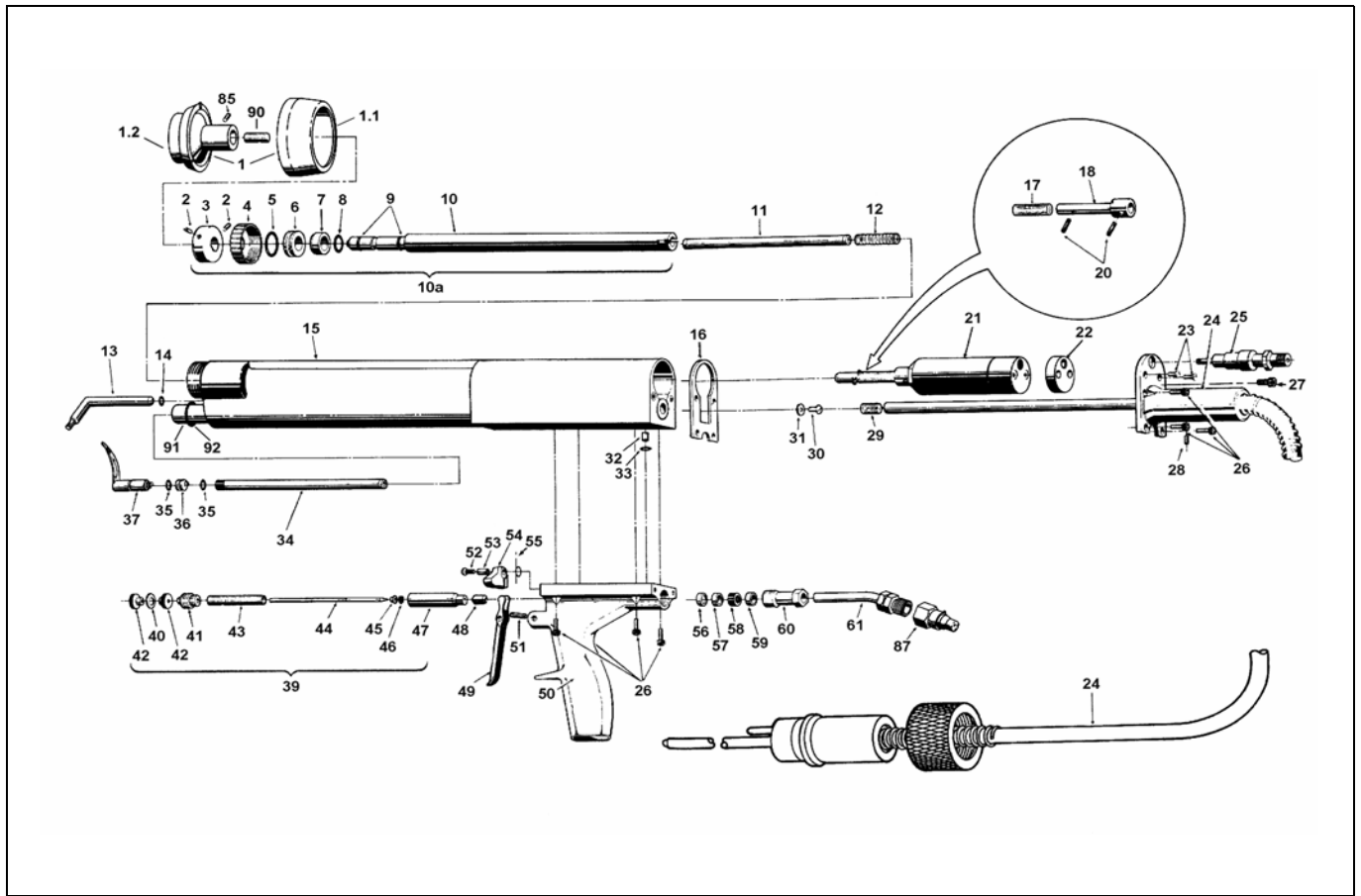
Electrostatic

Spare parts

Ref.	Part no.	Description
1	11491-00	Spray bell 2 3/4"
	11488-00	Spray bell 4"
	11492-00	Spray bell 6"
1.1	11491-00	Bell ring 2 3/4"
	4627-00	Bell ring 4"
	4703-00	Bell ring 6"
1.2	4628-00	Core piece 4"
	4704-00	Core piece 6"
2	8488-12F	Threaded pin
3	6714-00	Ring for drive shaft
4	6713-00	Retaining ring for drive shaft
5	7554-20	O-ring
6	6710-00	Seal
7	6711-00	Seal
8	ZZ-1604-D	O-ring
9	7554-08	O-ring
10	7225-00	Drive shaft
10a	7226L00	Drive shaft compl.
11	4175-01	Resistance 10 MW
12	14003-00	Spring
13	6335-00	Feed tube 2 3/4"
	3700-00	Feed tube 4"
	4076-00	Feed tube 6"
14	7554-05	O-ring
15	10972-00	Gun assembly
16	3968-00	Seal

Ref.	Part no.	Description
17	8491-00	Spring
18	75757-00	Air motor adapter
20	4359-01	Pin for spring
21	11847-00	Air motor
22	10962-00	Spacer
23	9157-24F	Screw
24	20988-25	H.V. cable compl., 7.5 m*
	20988-50	H.V. cable compl., 15 m*
25	10975-00	Air valve
26	8301-16C	Screw
27	8301-12C	Screw
28	8454-06C	Screw
29	JGX-25	Spring
30	7747-16C	Screw
31	7486-06	Washer
32	2803-00	Sleeve for paint tube
33	LUX-32	O-ring
34	2842-01	Resistance 525 MW
35	7554-06	O-ring
36	3959-00	Resistance seal
37	3695-00-K3	Sliding contact
39	3655-00	Valve compl.
40	5008-00	Compression washer

No. 2 gun



Electrostatic

Spare Parts

Ref.	Part no.	Description
41	3658-00	Spring holder
42	3441-00	Knurled nut
43	2846-00	Spring
44	3657-00	Valve needle
45	3803-01	Eyelet
46	3688-01	Lock washer
47	3659-00	Spring housing
48	2845-00	Packing
49	3649-00	Trigger
50	7234-00	Handle
51	2594-08	Dowel pin
52	7747-20C	Screw
53	3978-00	Spacer sleeve
54	3979-00	Trigger lock
55	3977-00	Torsion spring
56	3654-00	Valve needle seat
57	6803-01	Bushing
58	3653-00	Sleeve
59	6803-02	Bushing
60	7135-00	Screw connection
61	17356-00	Paint feed

Ref.	Part no.	Description
85	8488-08C	Threaded pin
90	6126-00	Spring for bell
91	6204-00	Resistance tube
92	7554-28	O-ring for resistance tube

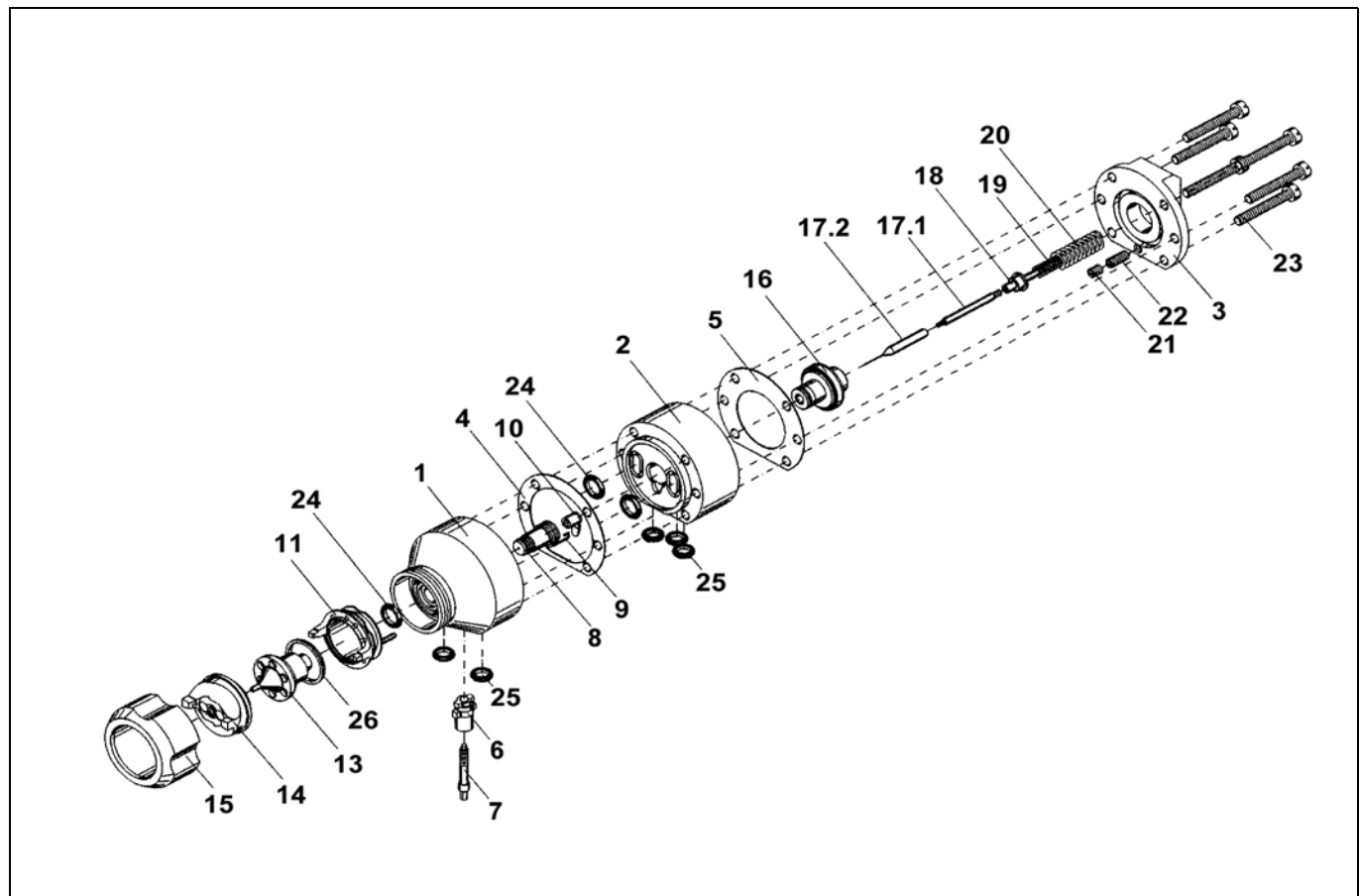
Accessories

8340L25	Paint hose compl. 1/4" ID - 7.5 m
8340L36	Paint hose compl. 1/4" ID - 11 m
8340L50	Paint hose compl. 1/4" ID - 15 m
8340L75	Paint hose compl. 1/4" ID - 25 m
6886L25	Air hose compl. 1/4" ID - 7.5 m
6886L36	Air hose compl. 3/16" ID - 11 m
6886L50	Air hose compl. 3/16" ID - 15 m
6886L75	Air hose compl. 3/16" ID - 25 m
11385L00	Spare parts kit
11775-05	Textile protective hose (yard ware)
59972-00	Dielectric grease (100 g)
77070-34-0	High-voltage generator
12536-13	Wall bracket for high-voltage generator
72558-02	Protective sleeve for gun

* other lengths on request

Electrostatic Spray Guns

Estaquick



Electrostatic

Spare parts

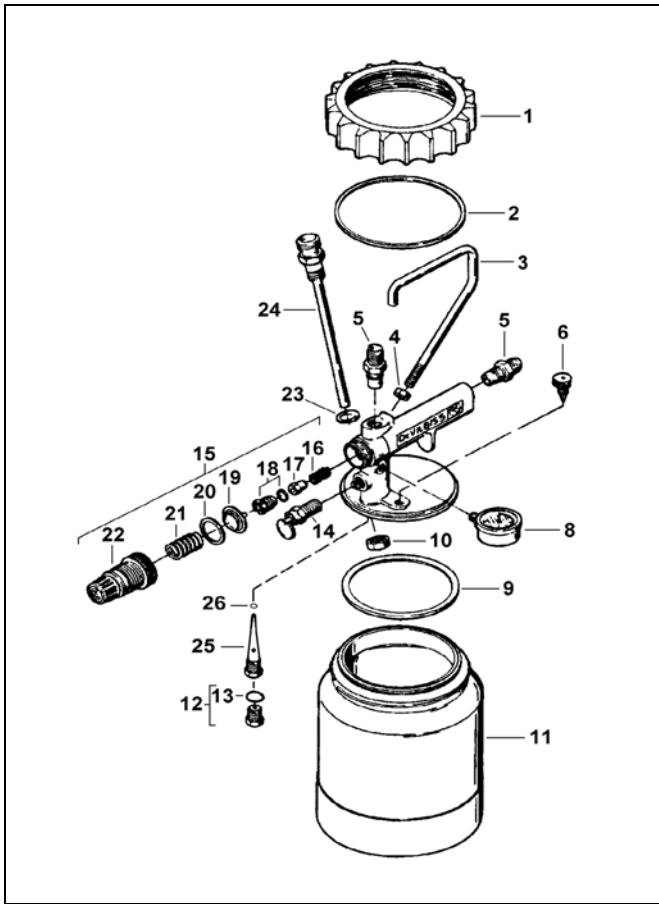
Ref.	Part no.	Description
1	AEMD-2195	Head
2	AEMD-2217	Head body
3	AEMD-2242	Rear plate
4	AEMD-2216	Head joint
5	AEMD-2218	Rear plate joint
6	AEMD-2244	Locking device
7	AEMD-2130	HV contact finger
8	AGMD-405-1	Needle packing
9	AEMD-2240	Contact
10	AEMD-2241	Contact lock
11	AEMD-2033	Deflector ring
13	AEMD-2915-G	Nozzle 0.8mm
	AEMD-2915-FX	Nozzle 1.1 mm
	AEMD-2915-FF	Nozzle 1.4 mm
	AEMD-2915-FW	Nozzle 1.6mm
14	AEMD-800	Air cap
15	AEMD-2368	Retaining ring
16	AGMD-243-1	Piston pin seat
17.1	AEMD-2420	Needle
17.2	70430-01	Electrode + resistance
18	AEMD-2219	Spring base
19	AGMD-110	Compression spring
20	AGMD-111	Compression spring
21	AGMD-116	Centring pin
22	AGMD-115	Spring

Ref.	Part no.	Description
23	AEMD-2131	Cap screw
24	AGMD-121	O-ring
25	AGMD-93-K5	O-ring (Pack of 5)
26	AGMD-65-1	Nozzle seal

Accessories

AEMD-2941	Pencil jet nozzle
AEMD-2951	Pencil jet nozzle
AEMD-850	Air cap for pencil jet (mounted instead of Pos. 14,13,26,12)
AEMD-101	Nozzle wrench for AEMD-2915-...
AEMD-4500-1	Machine adapter
AEMD-4200	High-voltage cable
77070-33-1	High-voltage transformer

KB-522

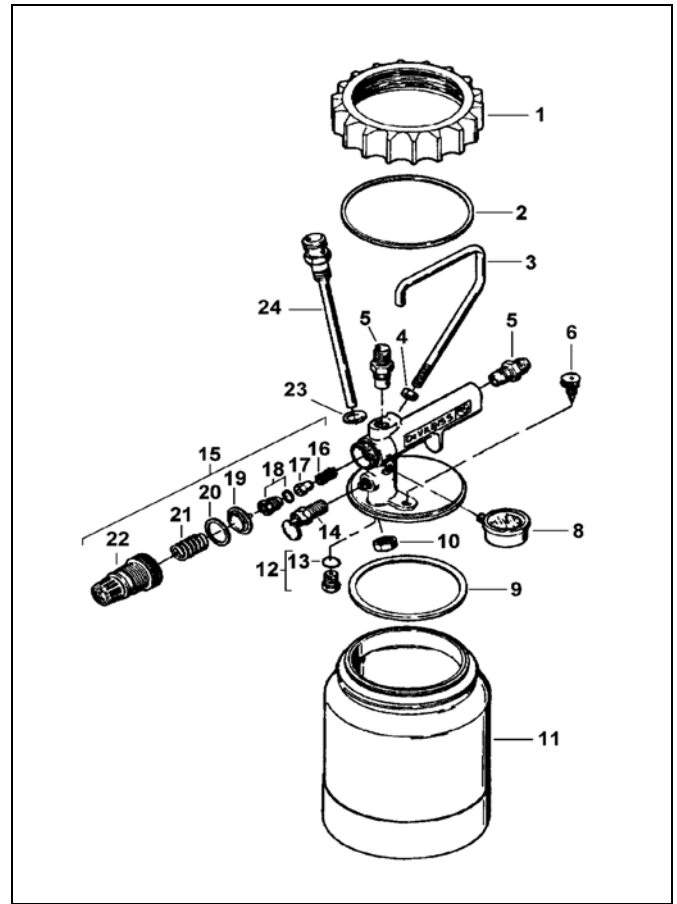


Spare parts

Ref.	Part no.	Description
1	KB-64	Retaining ring
2	KB-81-K5	Slip ring (Pack of 5)
3	KB-74	Handle
4	SS-656-CD	Nut
5	JGA-158	Air inlet adaptor
6	KB-66	Pressure relief valve
8	GA-355	Air pressure gauge
9	KB-80-K5	Seal (Pack of 5)
10	MBD-11-K5	Nut (Pack of 5)
11	KB-422	Cup 2 l
12	KB-432-K3	Check valve assembly (Pack of 3)
13	KB-85-K5	Gasket (Pack of 5)
14	TIA-4355	Safety valve
15	KB-428-1	Regulator assembly
16	*	Spring
17	*	Valve
18	*	Valve seat with seal
19	*	Diaphragm
20	*	Slip ring
21	(in Pos. 15)	Spring
22	(in Pos. 15)	Bonnet
23	KB-60-K6	Gasket (Pack of 6)
24	KK-4997	Fluid tube assembly R 3/8"
25	KB-444	Check valve
26	KB-101-K5	Seal (Pack of 5)

* included in repair kit KK-4887-2

KB-522-SS



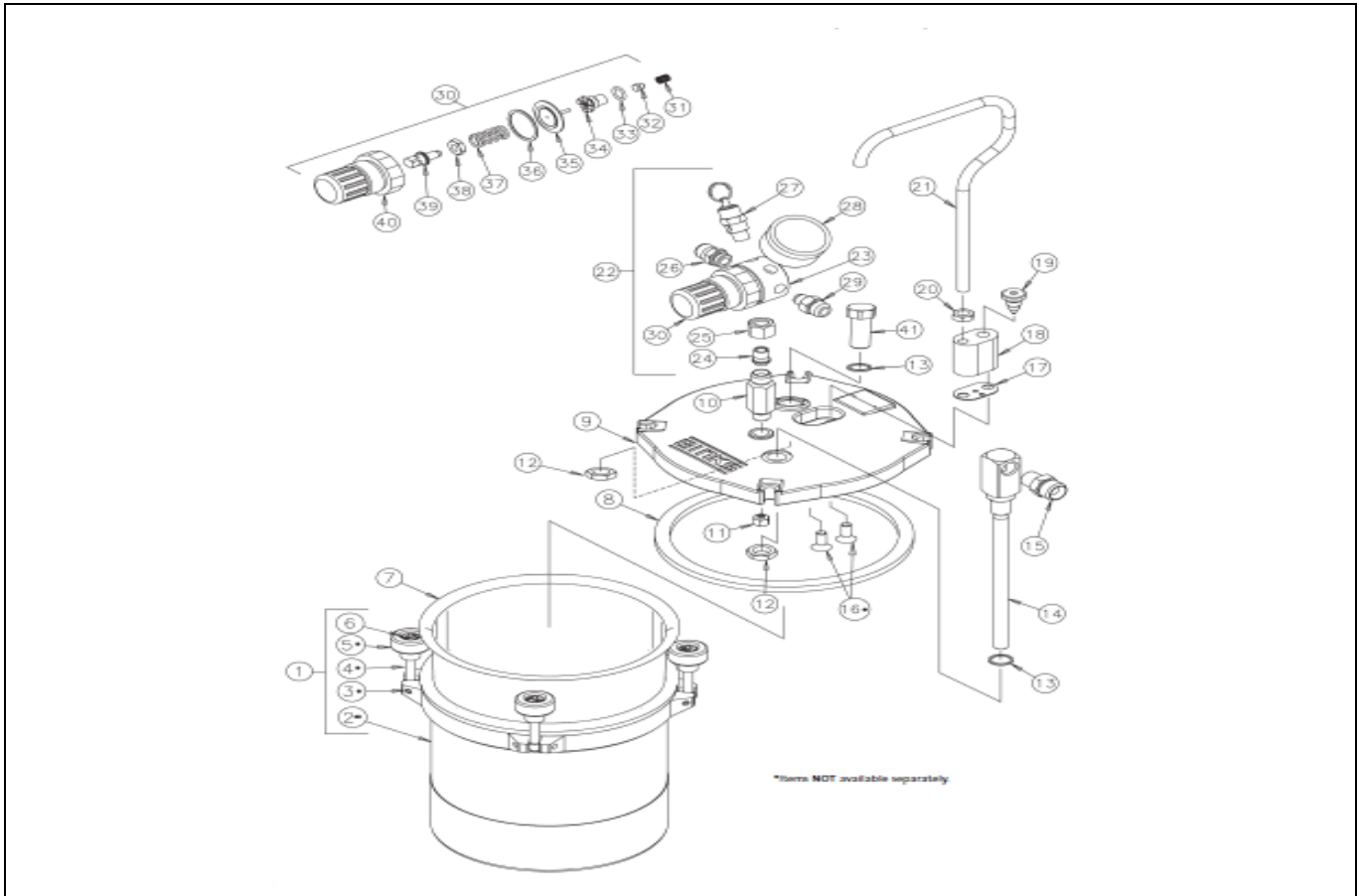
Spare parts

Ref.	Part no.	Description
1	KB-64	Retaining ring
2	KB-81-K5	Slip ring (Pack of 5)
3	KB-74	Handle
4	SS-656-CD	Nut
5	JGA-158	Air inlet adaptor
6	KB-66	Pressure relief valve
8	GA-355	Air pressure gauge
9	KB-80-K5	Seal (Pack of 5)
10	KB-97-K2	Nut (Pack of 2)
11	KB-442	Cup 2 l
12	KB-432-K3	Check valve assembly (Pack of 3)
13	KB-85-K5	Gasket (Pack of 5)
14	TIA-4355	Safety valve
15	KB-428-1	Regulator assembly
16	*	Spring
17	*	Valve
18	*	Valve seat with seal
19	*	Diaphragm
20	*	Slip ring
21	(in Pos. 15)	Spring
22	(in Pos. 15)	Bonnet
23	KB-60-K6	Gasket (Pack of 6)
24	KK-4996	Fluid tube assembly R 3/8"

* included in repair kit KK-4887-2

Pressure Tanks & Cups

80-600 Stedi-Grip

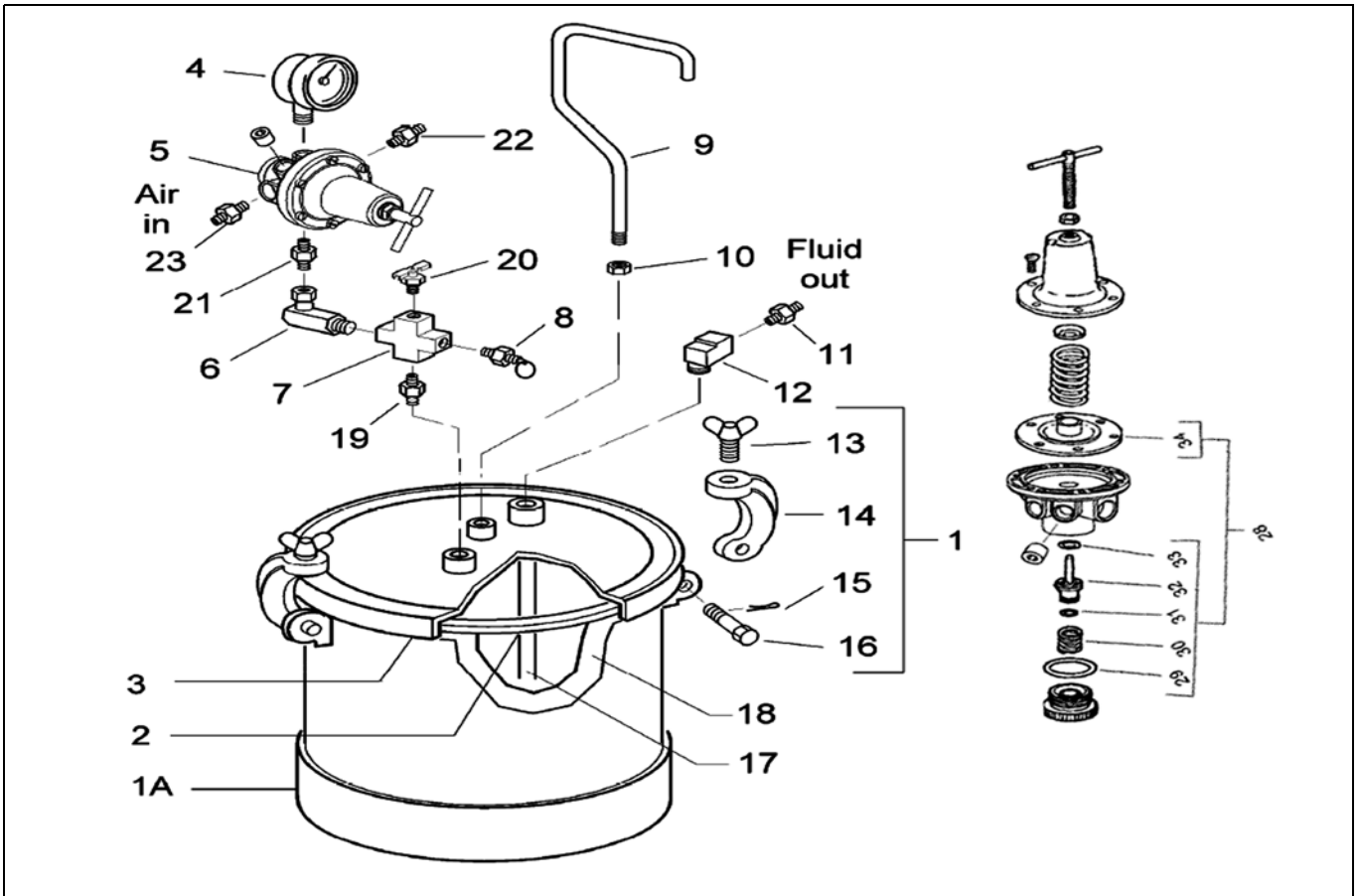


Spare parts

Part no.	Description
1	80-375 2 QT canister assembly
2	80-376 2 QT canister sub assembly
3	20-4870 Spirol pin
4	80-381 Canister knob swivel
5	80-380 Canister knob
6	80-382 Retaining ring
7	80-355 Disposable liner
8	80-392 Cover machining
9	80-602 Lid gasket
10	80-606 Check valve assembly
11	80-610 Diffuser
12	80-389 Fluid tube nut
13	80-388 Fluid tube seal
14	80-613 Fluid tube assembly
15	83-2484 DM nipple, 1/4 NPT x 3/8 NPS
16	20-6582 Screw
17	80-373 Handle gasket
18	80-604 Manifold
19	80-12 Relief valve
20	20-353-1 Jam nut, 5/16-18
21	80-605 Handle
22	85-449 Regulator Assembly
23	85-436 Regulator Body
24	72-104 Tail piece

Part no.	Description
25	72-93 Swivel nut, 1/4" NPS
26	54-308 Air connection
27	TIA-4326 Safety valve
28	59-299 Gauge, 15 PSI
29	71-28 DM Nipple, 1/8 NPT x 1/4 NPS
30	85-437 Regulator kit 15 PSI
31	Valve spring
32	Valve, PTFE
33	O-ring
34	Valve seat
35	Diaphragm
36	Valve spring
37	Regulator spring
38	Nut
39	Stem
40	Bonnet
41	80-616 Top outlet plug

83C-210 10L/2.8 gal tank (Galvanized)



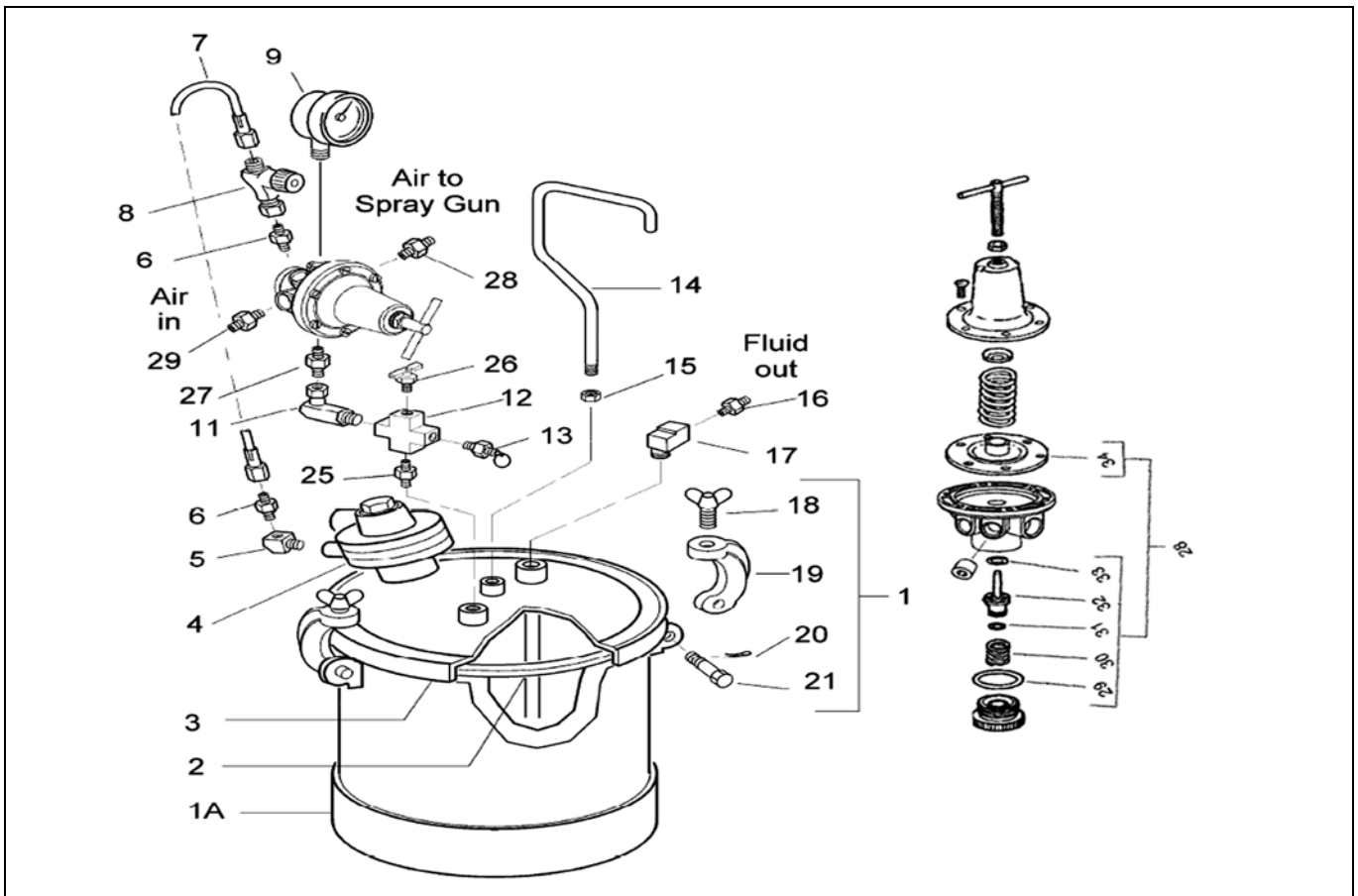
Spare parts

Part No.	Description
1	PT-423 Tank Assy. Kit (Pos. 1a,13, 14, 15 + 16, Pack of 4)
1A	PT-420 Tank Shell
2	PT-33-1 Cover seal, Santoprene
3	PT-425 Cover, galvanized
4	83-2727 Pressure gauge
5	HAR-511 Pressure regulator
6	SSP-30-ZN Elbow 90°, 1/4" NPS (IG/AG)
7	Cross piece
8	TIA-5080-CE Safety valve 5.5 bar
9	PT-32 Handle
10	Nut
11	AD-11 Double nipple 3/8" NPT 2101007 Double nipple 3/8" NPT (M) x 3/8" BPS (M)
12	SSP-1939 Elbow 90°, 3/8" NPT (IG/AG)
13	Thumb screw (in Pos. 1 included)
14	Bracket (in Pos. 1 included)
15	Securing pin (in Pos. 1 included)
16	Hinge pin (in Pos. 1 included)
17	PT-31 Material tube
18	PT-78-K10 Disposable liner (Pack of 10) PT-78-K60 Disposable liner (Pack of 60)

Part No.	Description
19	SSP-462-ZN Double nipple, 1/4" NPT (AG)
20	SS-2707 Air pressure relief valve
21	83-4233 Double nipple H-2008 Nipple 1/4" NPT X 1/4 NPS
22	2101004 Nipple 1/4" NPT X 1/4 BSP 83-4233 Nipple 3/8" NPT X 1/4 NPS
23	2101005 Nipple 3/8" NPT X 1/4 NPS
28	KK-4977 Repair kit pressure regulator
+ 29	O-ring
+ 30	Spring
+ 31	O-ring
+ 32	Valve
+ 33	O-ring
+ 34	Diaphragm compl.

Pressure Tanks & Cups

83Z-211 10L/2.8 gal tank (Stainless steel lid and st st fluid passages)



Spare parts

Part no.	Description
1	PT-423 Screw, bracket and holder (Pack of 4)
1A	PT-420 Containers
2	PT-33-1 Lid gasket, Santoprene
3	PT-421 Lid, stainless steel
4	PT-427-CE Agitator drive
5*	Elbow, 1/4"
6	H-2008 Nipple 1/4" NPT X 1/4 NPS
7	HA-57011 Hose assembly
8	HAV-500-1 Air adjusting valve, 1/4" NPS
9	83-2727 Pressure gauge
10	HAR-511 Pressure regulator
11	SSP-30-ZN Elbow 90°, 1/4" NPS (IG/AG)
12	Cross piece
13	TIA-5080-CE Safety valve 5.5 bar
14	PT-32 Handle
15	Nut 3/8"
16	SSP-459 Double nipple 3/8" NPT (M) x 3/8" NPT (M)
17	CT-1164 Double nipple 3/8" NPT (M) x 3/8" BSP
	SSP-1939 Elbow 90°, 3/8" NPT (IG/AG)
18	Thumb screw (in Pos. 1 included)
19	Yoke assembly(in Pos. 1 included)
20	Securing pin (in Pos. 1 included)
21	Hinge pin (in Pos. 1 included)
22	QMS-9-1 Fluid tube stainless steel

Part no.	Description
23	PT-78-K10 Disposable liner (Pack of 10)
	PT-78-K60 Disposable liner (Pack of 60)
25	SSP-462-ZN Double nipple, 1/4" NPT (AG)
26	SS-2707 Air pressure relief valve
27	83-4233 Double nipple
28	H-2008 Nipple 1/4" NPT X 1/4 NPS
	2101004 Nipple 1/4" NPT X 1/4 BSP
29	83-4233 Nipple 3/8" NPT X 1/4 NPS
	2101005 Nipple 3/8" NPT X 1/4 NPS
28	KK-4977 Repair kit Pressure regulator
+ 29	O-ring
+ 30	Spring
+ 31	O-ring
+ 32	Valve
+ 33	O-ring
+ 34	Diaphragm compl.

183G-1013 40L/11.8 gal tank (Galvanized)



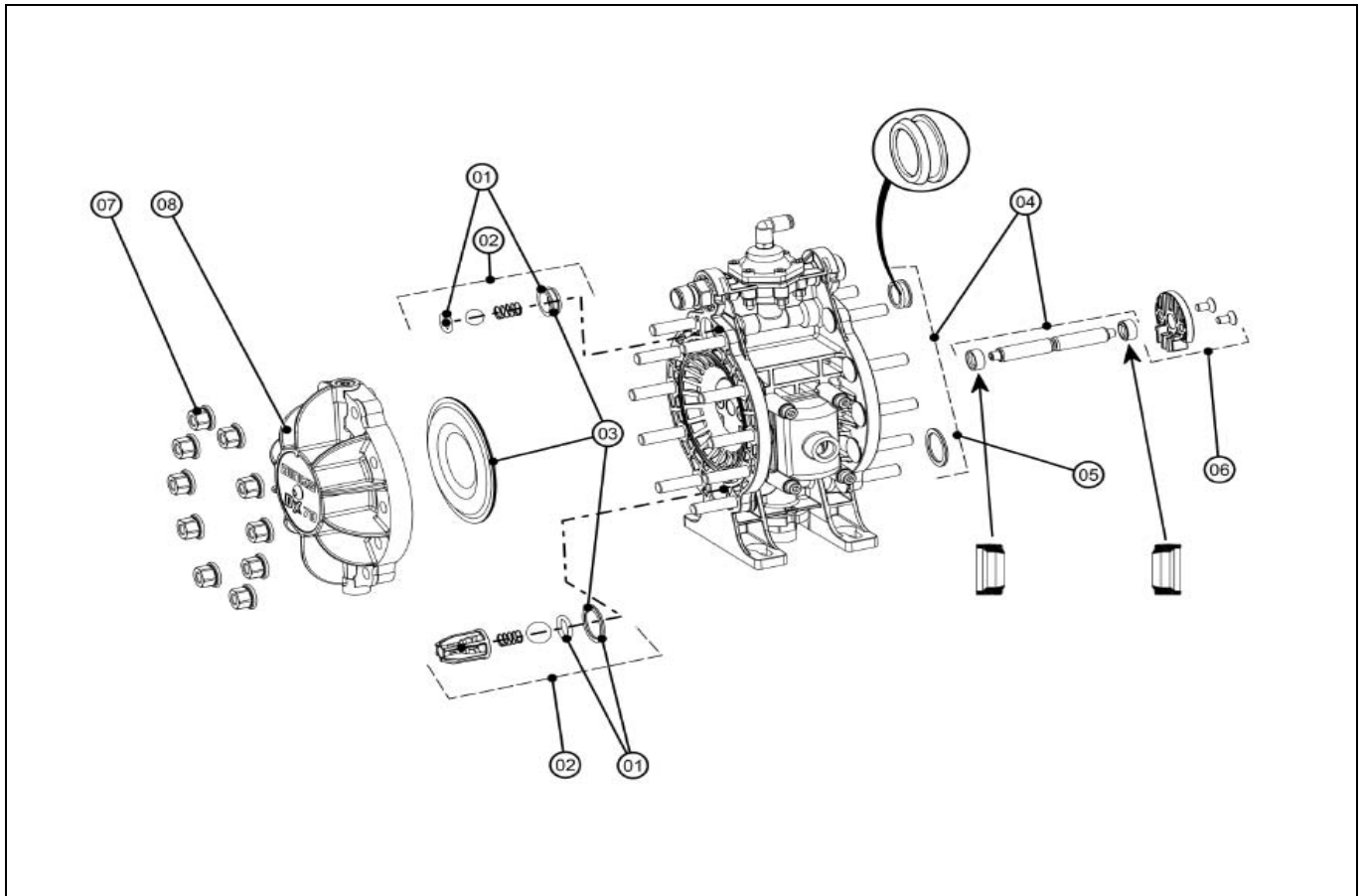
Spare parts

Part no.	Description
1	QMS-46 Retaining Nut
2	QMG-85 Thrust Washer
3	Thrust Collar
4	— Set Screw (5/16-18 x 3/8)
5	QMS-447 Thrust Collar Kit (inc 4 & 5)
6	QMG-409 Bearing Assy-Plain Steel
7	SSG-8184-K2 O-ring (Pack of 2)
8	Shaft Seal
9	Internal Retaining Ring
10	KK-5042 Shaft seal kit
11	QMG-19 Plug (Non-agitated Models Only)
12	TIA-4110-CE Safety Valve Assy 110 psi
13	QMG-21 Air manifold
14	SS-2707 Air relief valve
15	83-524-K Fill Port Cap (inc Item 16)
16	83-1207-K5 Fill Port Cap Gasket
17	Street Elbow, 3/8-18 NPT (Brass)
18	VA-540 Ball Valve, 3/8 NPS Outlet
19	QMG-402-1 Tank Lid
20	QM-1458-1 Tank Gasket
21	Plug, 1/2-14 NPT (Plated Steel)
22	QMG-33 Fluid Tube
23	QMG-29 Agitator Shaft
24	Agitator Paddle
25	Soc Head Cap Screw, 5/16-18 x 1-1/4, S.S
26	QMS-444-CE Agitator Paddle Kit (inc 24 & 24)
27	Stationery Paddle
28	QMS-455-CE Stationery Paddle Kit (inc 25 & 27)

Part no.	Description
29	PTL-412-K8 Disposable Tank Liner, 10-Gal
30	QM-1352-CE Thumb Screw (See item 34)
31	SSN-2404-ZN Cotter Pin, 1/8" Dia. x 1" LG. (See item 34)
32	QMG-38-CE Clevis Pin (See item 34)
33	QMG-9-CE Clamp (See item 34)
35	QMG-510-1 Tank & Lug Assy, 10 Gal
36	Bottom Plug
37	HA-57011 Air Hose Assy (incl with item 39)
38	85-470 Air Control - Non Agitated Tanks
	85-471 Air Control - With Agitators
39	QS-5012-CE Air Motor/Gearbox Drive
40	CT-453 1/4 inch NPSM to 1/4 inch BSP adapter (only with BSP models supplied)
41	CT-454 3/8 inch NPSM to 3/8 inch BSP adapter (only with BSP models supplied)
	KK-4977 Regulator Repair kit

Diaphragm Pumps

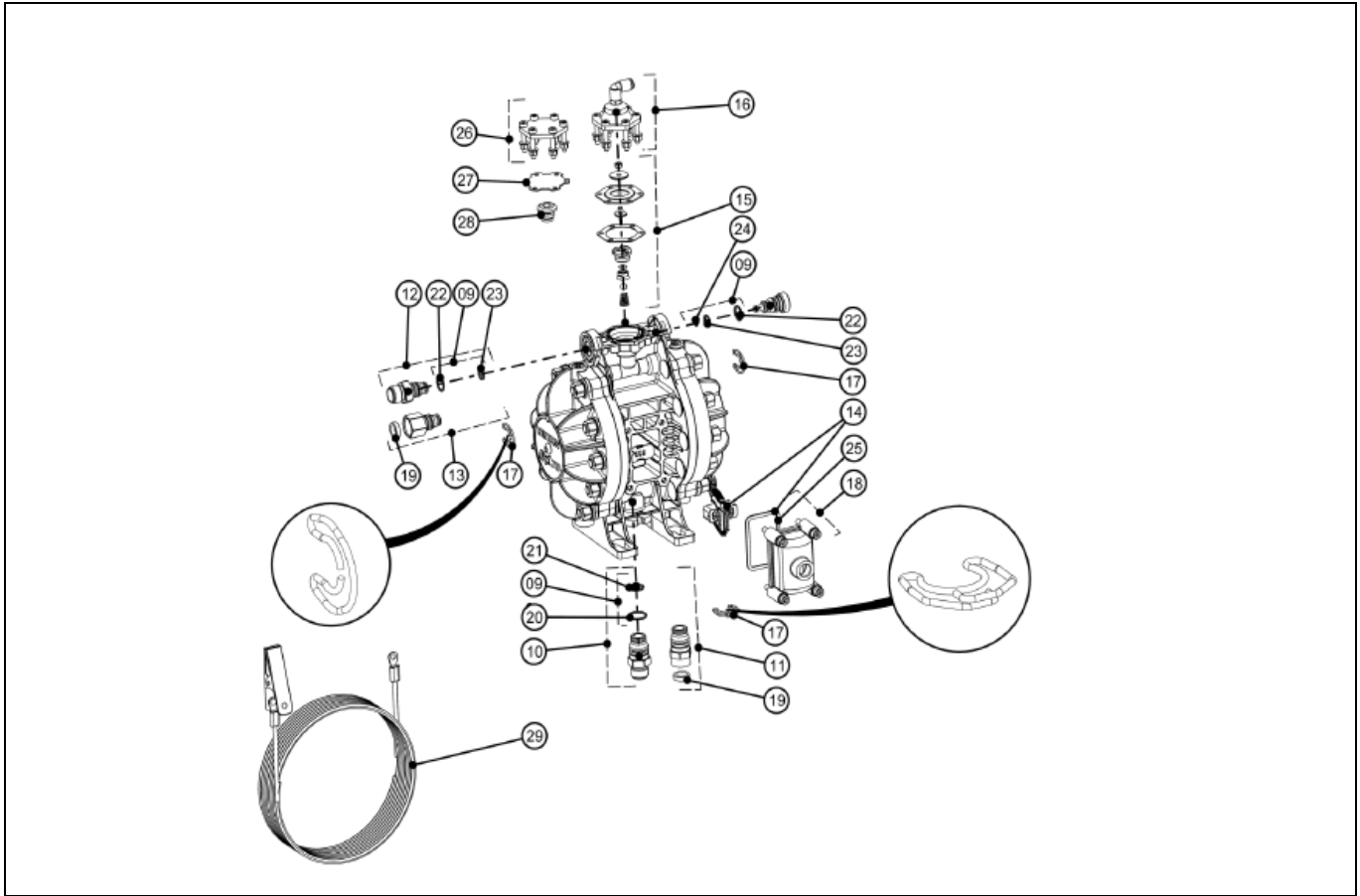
DX70 Bare Pump



Spare parts

Ref.	Part no.	Description
1	DXK-1	Check valve seal kit x 4
2	DXK-2	Check valve kit x 4
3	DXK-3	Diaphragm kit x 2
4	DXK-4	Shaft & seal kit
5	DXK-5	End cap seal kit x 2
6	DXK-6	Caps & screws x 2
7	DXK-7	End cap nuts x 10
8	DXK-8	End cap

DX70 Bare Pump



Spare parts

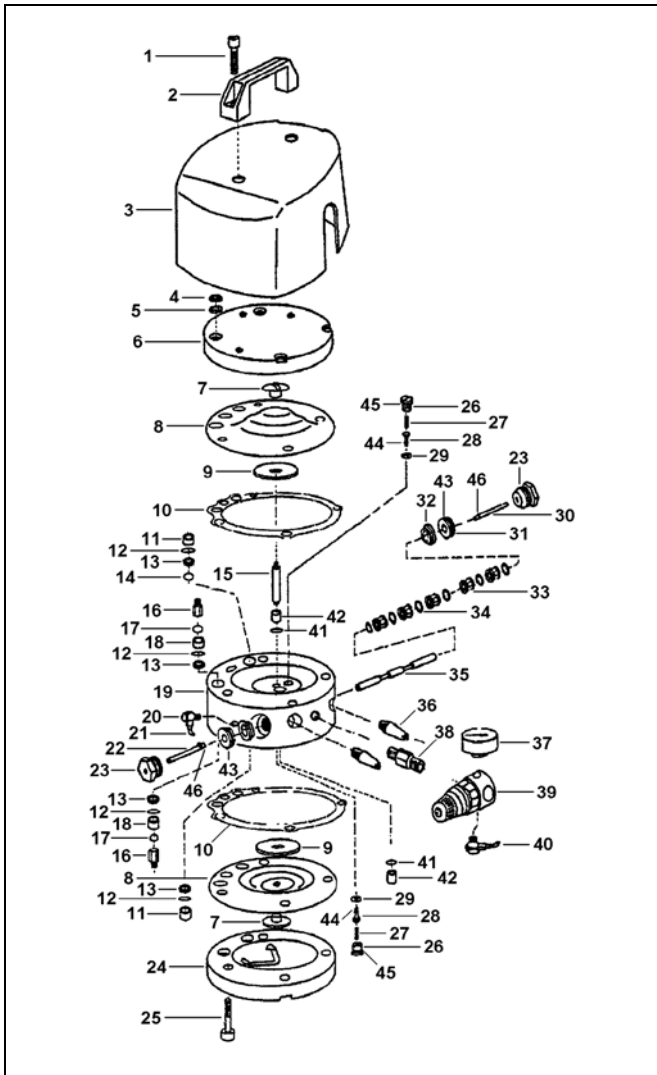
Ref.	Part no.	Description
9	DXK-9	Inlet, outlet & plug connector seal kit
10	DXK-10	Male inlet connector kit
11	DXK-11	Female inlet connector kit
12	DXK-12	Male outlet connector kit
13	DXK-13	Female outlet connector kit
14	DXK-14	Air valve kit
15	DXK-15	Fluid regulator kit
16	DXK-16	Regulator cap & screws
17	DXK-17	Inlet (x 2) & outlet (x 2) clips
18	DXK-18	Cover, seal & screws
19	DXK-19	Female inlet/outlet thread seal x 4
20	DXK-20	O-ring x 5
21	DXK-21	O-ring x 5
22	DXK-22	O-ring x 5
23	DXK-23	O-ring x 5
24	DXK-24	O-ring x 5
25	DXK-25	Gasket x 4
26	DXK-26*	Blanking plate & screws

Ref.	Part no.	Description
27	DXK-27*	Blanking gasket x 4
28	DXK-28*	Insert
29	0114-011798	Grounding cable 4m

* parts for non-fluid regulator model

Diaphragm Pumps

Binks DVP-510 (standard/solvent paints)



Ref.	Part no.	Repair kit	Description
18	DVP-136-H	C	Bushing
19	DVP-83		Body
20	SSP-6462		Swivel elbow
21	S-1817		Nylon tube
22	DVP-5	F	Manual restart
23	DVP-9	F	Distributor nut
24	DVP-130		Bottom plate
25	SSF-3152		Cap screw
26	DVP-28	E	Retaining nut
27	DVP-13	E	Spring
28	DVP-55	E	Reverse
29	LUX-32	E	O-ring
30	DVP-8	F	Manual restart stem with snap ring
31	DVP-46	F	Air valve piston
32	DVP-6	F	Sleeve nut
33	DVP-10	F	Cylinder
34	ZZ-1604-D	F	O-ring
35	DVP-11	F	Slide valve
36	DVP-17		Air muffler
37	DVP-31		Manometer
38	DVP-20		Double nipple
39	DVP-30		Air regulator
40	DVP-35		Swivel elbow
41	SSG-8174	B	O-ring
42	DVP-125	B	Bushing
43	DVP-45	F	Quad ring
44	DVP-33	E	Quad ring
45	SS-2393	E	O-ring
46	ZZ-1609-D		Grounding ring

Accessories

MSG-21	Air Inlet 1/4" Universal
DVP-52-1	Bypass
DVP-37	Cover
DVP-2-W	Intake tube
41-2661	Filter strainer 1/2" (Stainless steel)
SS-10-D	Screw
DVP-50	Wall holder
DVP-56	By Passhose
DVP-41	Suction hose assy.
DVP-154-A	Material filter 144 µ

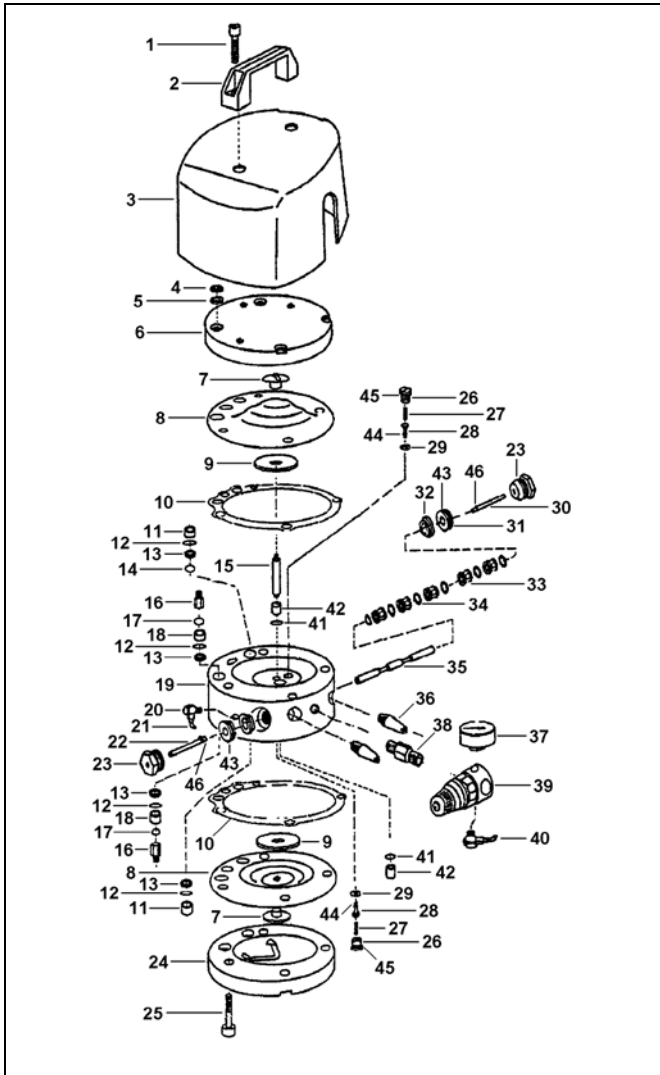
Repair kits

B	KK-4630	Diaphragm and pin
C	KK-4631	Fluid valve for standard pump
C	KK-4632	Fluid valves for ceramic pump
E	KK-4633	Reverse switch valve
F	KK-4634	Pneumatic distribution kit

Spare parts

Ref.	Part no.	Repair kit	Description
1	SSF-3153-ZN		Cap screw
2	ZZ-1617-D		Handle
3	DVP-22		Plastic cover
4	SSF-8151		Nut
5	ZZ-1660-D		Disc spring
6	DVP-131		Top plate
7	DVP-220	B	Retainig nut
8	DVP-406	B	Diaphragm
9	DVP-221	B	Pressure plate
10	DVP-114	A/B/C/E	Gasket
11	DVP-79		Bushing
12	DVP-3	C	O-ring
13	DVP-76	C	Ceramic valve seat
	DVP-82	C	Ball 16 mm PTFE
	DVP-86	C	Ball 16 mm PU
15	DVP-222	B	Pin
16	DVP-75		Stud
	DVP-84	C	Ball 14 mm PTFE
	DVP-85	C	Ball 14 mm PU

Binks DVP-AN (waterborne paints)



Spare parts

Ref.	Part no.	Repair Kit	Description
1	SSF-3153-ZN		Cap screw
2	ZZ-1617-D		Handle
3	DVP-22		Plastic cover
4	SSF-8151		Nut
5	ZZ-1660-D		Disc spring
6	DVP-131-AN		Top plate
7	DVP-220	B	Retaining nut
8	DVP-406	B	Diaphragm
9	DVP-221	B	Pressure plate
10	DVP-114	A/B/C/E	Gasket
11	DVP-79-H		Bushing
12	DVP-3	C	O-ring
13	DVP-76	C	Ceramic valve seat
14	DVP-82	C	Ball 16 mm PTFE
	DVP-86	C	Ball 16 mm PU
15	DVP-222	B	Pin
16	DVP-75		Stud
17	DVP-84	C	Ball 14 mm PTFE
	DVP-85	C	Ball 14 mm PU

Ref.	Part no.	Repair Kit	Description
18	DVP-136-H	C	Bushing
19	DVP-83-AN		Body
20	SSP-6462		Swivel elbow
21	S-1817		Nylon tube
22	DVP-5	F	Manual restart
23	DVP-9-W	F	Distributor nut
24	DVP-130-AN		Bottom plate
25	SSF-3152		Cap screw
26	DVP-28	E	Retaining nut
27	DVP-13	E	Spring
28	DVP-55	E	Reverse
29	LUX-32	E	O-ring
30	DVP-8	F	Manual restart stem with snap ring
31	DVP-46	F	Air valve piston
32	DVP-6	F	Sleeve nut
33	DVP-10	F	Cylinder
34	ZZ-1604-D	F	O-ring
35	DVP-11	F	Slide valve
36	DVP-17		Air muffler
37	DVP-31		Manometer
38	DVP-20		Double nipple
39	DVP-30		Pressure regulator
40	DVP-35		Swivel elbow
41	SSG-8174	B	O-ring
42	DVP-125	B	Bushing
43	DVP-45	F	Quad ring
44	DVP-33	E	Quad ring
45	SS-2393	E	O-ring
46	ZZ-1609-D		Grounding ring

Accessories

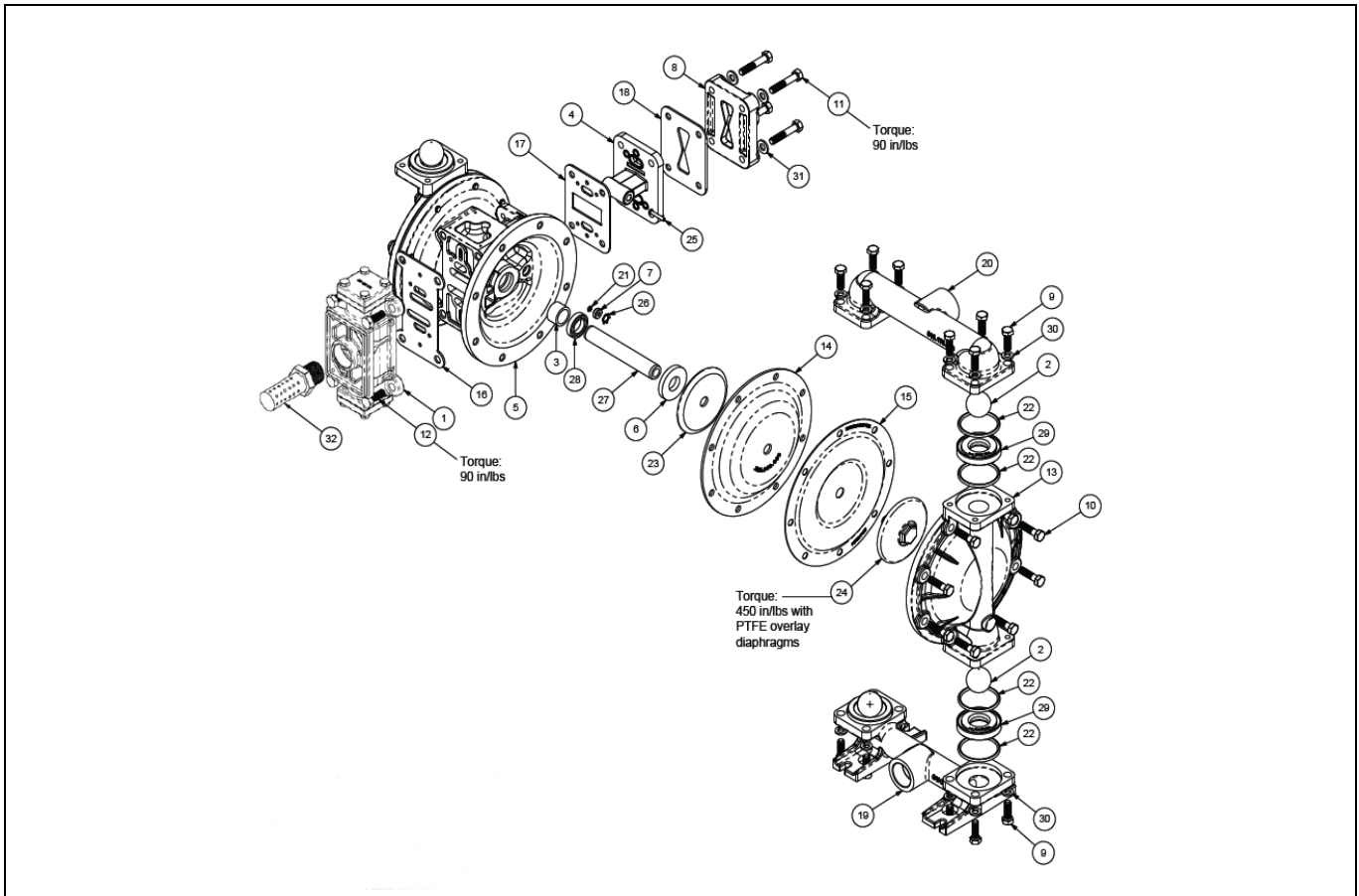
MSG-21	Air Inlet universal 1/4"
DVP-52-1	Bypass valve
DVP-37	Cover
DVP-2-W	Intake tube
41-2661	Filter strainer 1/2" (Stainless steel)
SS-10-D	Screw
DVP-50	Wall holder
DVP-41	Suction hose assy.
DVP-154-A	Material filter 144 µm

Repair kits

B	KK-4630	Diaphragms and stud kit
C	KK-4631	Fluid valve kit (standard)
E	KK-4633	Reverse control switch
F	KK-4634	Pneumatic distributor kit

Low Pressure Pumps

41-818820/41-818822 1" Transfer Pumps

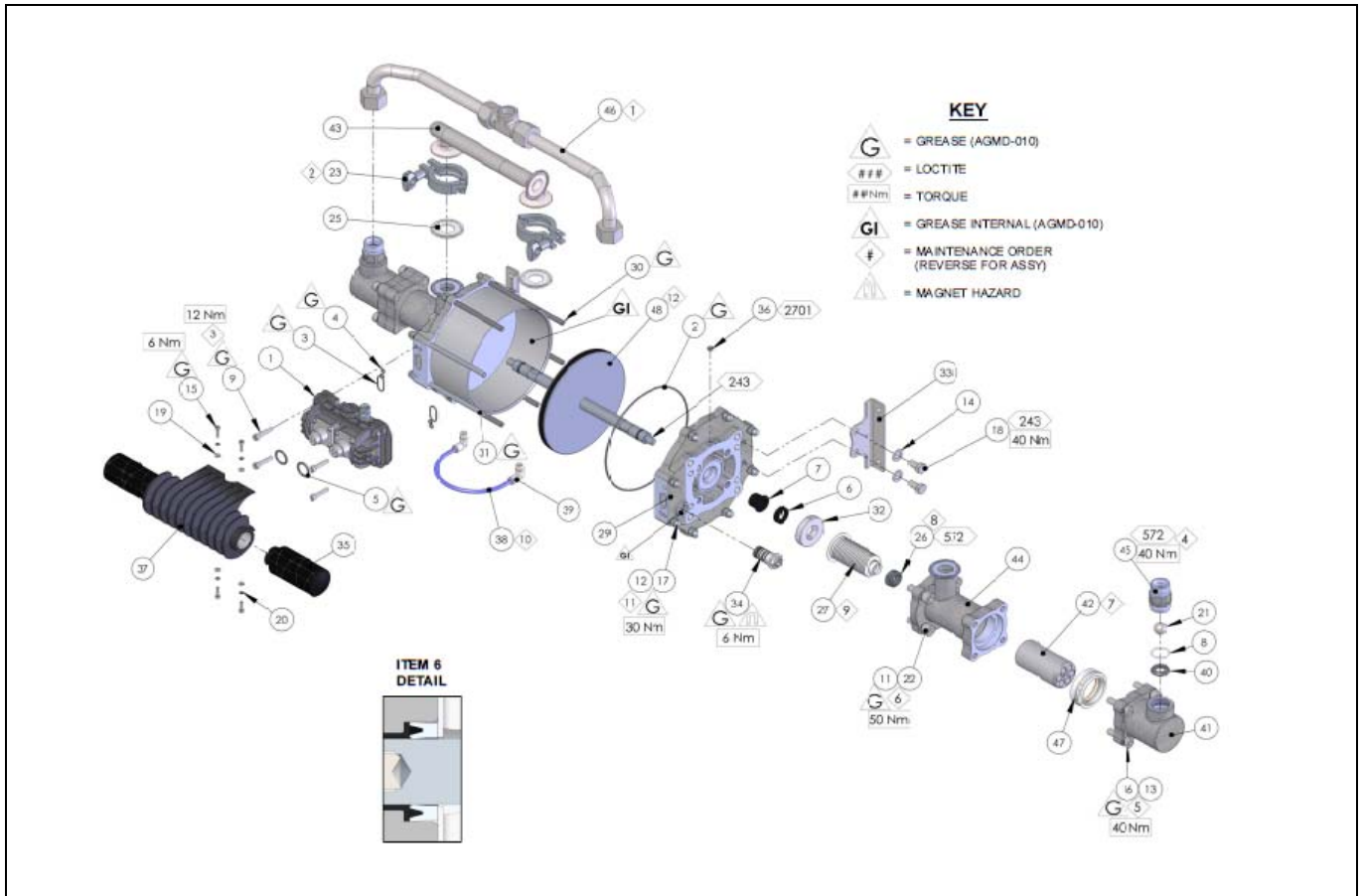


Spare parts

Ref.	Description
1	Air valve assembly
2 ³⁾	Check ball
4	Pilot valve assembly
5	Intermediate
6 ¹⁾	Bumper
7 ¹⁾	Bushing
8	Air inlet assembly cap
9	Hex HD 5/16-18 x 1.00 cap screw
10	Hex HD 5/16-18 x 1.25 cap screw
11	Hex HD 5/16-18 x 1.75 cap screw
12	Hex HD 3/8-16 x 1.00 cap screw
13	Outer chamber
14 ²⁾	Diaphragm
15 ²⁾	Overlay diaphragm
16 ¹⁾	Air valve gasket
17 ¹⁾	Pilot valve gasket
18 ¹⁾	Air inlet cap gasket
19	Suction manifold Suction manifold (1" BSP tapered)
20	Discharge manifold Discharge manifold (1" BSP tapered)

Ref.	Description
21 ¹⁾	O-ring
22 ²⁾³⁾	O-ring
23	Inner diaphragm plate
24	Outer diaphragm assembly plate
25	Actuator pin
26 ¹⁾	Retaining ring
27	Diaphragm rod
28 ¹⁾	U-cup seal
29 ³⁾	Check ball seat
30	5/16 Lock washer
31	5/16 Flat washer
32	Metal muffler
1)	Items contained within 41-718850 air motor repair kit
2)	Items contained within 41-718853 diaphragm kit
3)	Items contained within 41-718854 ball and seat kit

Maple 7/15 Pump



Spare parts

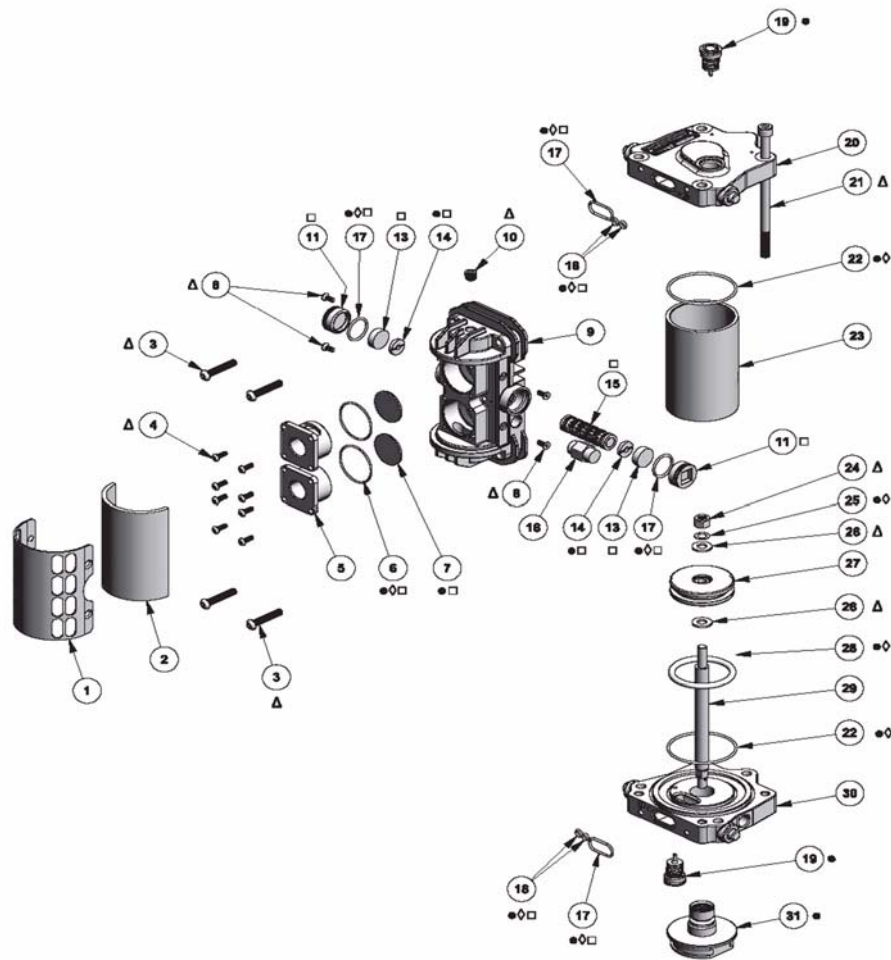
Ref.	Part No.	Description
1	0115-010102	Air valve assembly
2	161992	Ø 117.5 x 2.62 Viton o-ring
3	161993	Ø 20.35 x 1.78 Viton o-ring
4	161994	Ø 4.47 x 1.78 O-ring
5	161995	Ø 19.5 x 3.00 O-ring
6	162703	Shaft seal
7	162704	Shaft bearing
8	162746	Ø 25 x 1.6 O-ring PTFE
9	163920	M6 x 30 Cap HD screw
10	164838	No 2 x 4.75 rivet
11	165044	M12 Spring washer st st
12	165108	M8 Spring washer
13	165123	Ø 10 Spring washer st st
14	165135	M10 plain washer st st
15	165528	M4 x 16 Cap HD screw (st st)
16	165948	M10 x 40 Cap HD screw (st st)
17	165963	M8 Dome nut
18	165965	M10 x 16 Hex head set screw (st st)
19	165970	M4 Plain washer (st st)
20	165971	Ø 4 Spring washer (st st)
21	171714	3/4 Ball 440C
22	177009	M12 x 35 Cap head screw
23	192009	1 & 1/2 Sanitary clamp
24	192147	Nameplate
25	192206	1 Sanitary gasket PTFE
26	192374	Retaining nut
27	192579	Knifed bellows
28	192757	Maple cylinder

Ref.	Part No.	Description
29	192758	End plate
30	192761	Cylinder stud
31	192762	Cylinder stud long
32	192763	Bellows spacer
33	192764	Pump bracket
34	192765	Pilot spool assembly
	192773	Pilot spool O-ring
35	192777	1" Muffler
36	192799	Vent plug
37	192812	Exhaust adapter
38	192814	Bellows leak hose
39	192815	1/8R - 6mm plus in elbow
40	193190	Outlet seat
41	193225	Outlet cylinder
42	193357	Piston assembly
43	193360	Inlet manifold
44	193361	Inlet cyclinder
45	193367	Outlet check
46	193419	Outlet manifold assembly
47	193195	Piston seal
48		Air motor piston assembly

Air Motors

AX55S

Use with MX12/05 & MX 4/12



Tanks & Pumps

Spare parts

Ref.	Part no.	Description	Qty	Kit
1	0115-010023	Exhaust Cover Screen	1	
2	0115-010022	Exhaust Cover	1	
3	0115-010026	Button Head Cap Screw	4	D
4	0115-010073	Button Head Cap Screw	8	D
5	0115-010019	Quick Exhaust Valve Cage	2	
6	0115-010021	O-ring	2	A/B/C
7	0115-010020	Diaphragm	2	A/C
8	0115-010024	Flat Head Counter Sunk Cap Screw	4	
9	0115-010097	Valve Block Assembly	1	
10	0115-010107	Pipe Plug	1	D
11	0115-010018	Valve Block End Cap	2	C
13	0115-010017	Magnet	2	C
14	0115-010016	Bumper	2	A/C
15	0115-010015	Spool And Sleeve Assembly	1	C
16	0114-014774	Safety Valve	1	
17	0115-010049	O-ring	4	A/B/C
18	0115-010051	O-ring	4	A/B/C
19	0115-010037	Poppet Assembly	2	A
20	0115-010004	Upper End Cap Machining	1	
21	0115-010029	Socket Head Cap Screw	4	D
22	0115-010086	Cylinder Seal, 55mm	2	A/B

Ref.	Part no.	Description	Qty	Kit
23	0115-010007	Cylinder, 55mm	1	
24	0115-010096	Locknut	1	D
25	0115-010036	Sealing Ring	1	A/B
26	0115-010035	Flat Washer	2	D
27	0115-010085	Piston, 55mm	1	
28	0114-010025	Piston Seal, 55mm	1	A/B
29	0115-010034	Motor Rod	1	
30	0115-010006	Lower End Cap Machining	1	
31	0115-010657	Motor Rod Cartridge Assembly	1	B

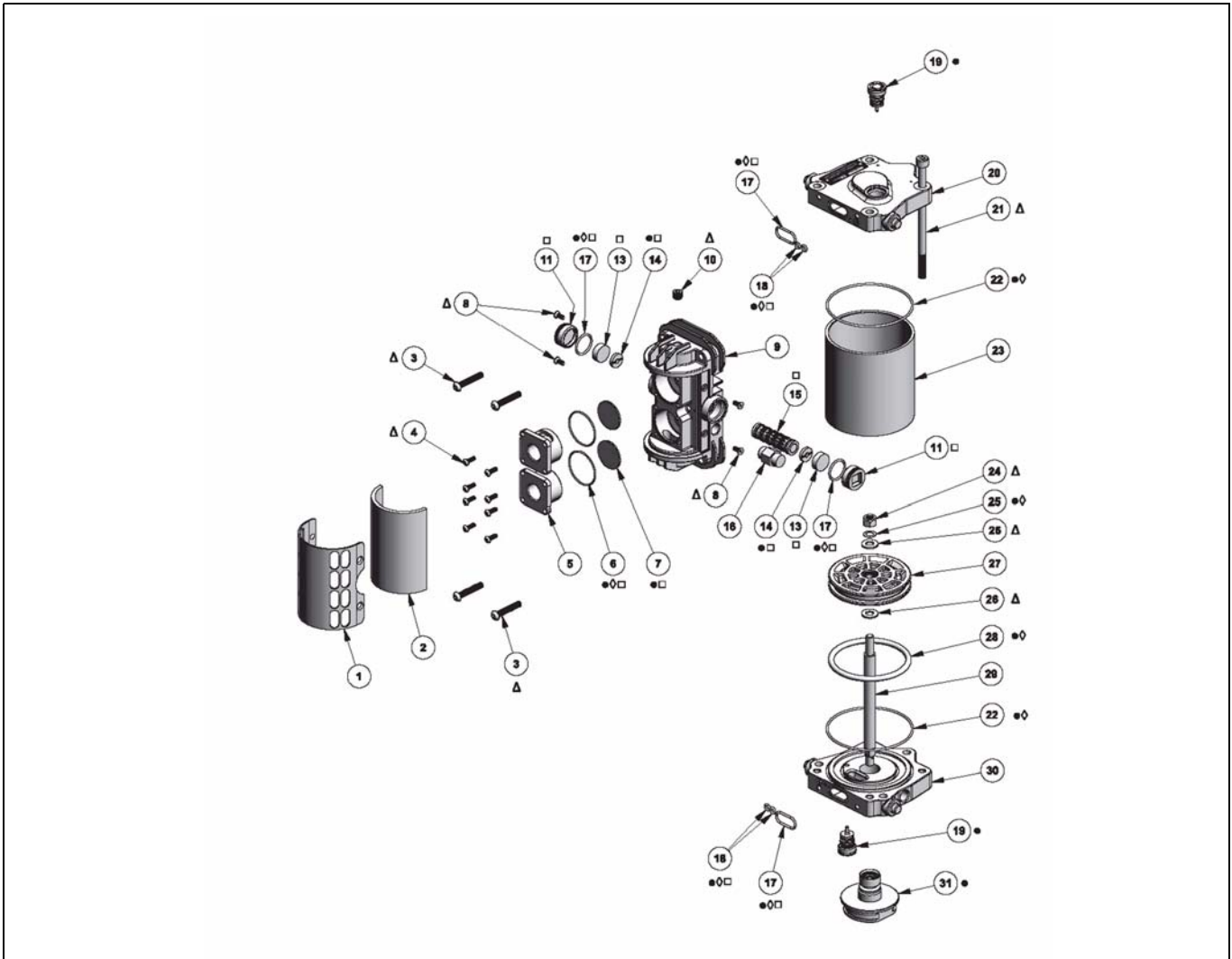
Spare parts kits

A	0115-010216	Seal Kit
B	0115-010214	Repair Kit
C	0115-010226	Air Motor Valve Repair Kit
D	0115-010213	Hardware Kit

Spare parts are available in the service kits as shown.

AX85S

Use with MX4/32 & MX12/12



Spare parts

Ref.	Part no.	Description	Qty	Kit
1	0115-010023	Exhaust Cover Screen	1	
2	0115-010022	Exhaust Cover	1	
3	0115-010026	Button Head Cap Screw	4	D
4	0115-010073	Button Head Cap Screw	8	D
5	0115-010019	Quick Exhaust Valve Cage	2	
6	0115-010021	O-ring	2	A/B/C
7	0115-010020	Diaphragm	2	A/C
8	0115-010024	Flat Head Counter Sunk Cap Screw	4	D
9	0115-010097	Valve Block Assembly	1	
10	0115-010107	Pipe Plug	1	D
11	0115-010018	Valve Block End Cap	2	C
13	0115-010017	Magnet	2	C
14	0115-010016	Bumper	2	A/C
15	0115-010015	Spool And Sleeve Assembly	1	
16	0114-014774	Safety Valve	1	
17	0115-010049	O-ring	4	A/B/C
18	0115-010051	O-ring	4	A/B/C
19	0115-010037	Poppet Assembly	2	A
20	0115-010004	Upper End Cap Machining	1	
21	0115-010029	Socket Head Cap Screw	4	D
22	0115-010050	Cylinder Seal, 85mm	2	A/B

Ref.	Part no.	Description	Qty	Kit
23	0115-010003	Cylinder, 85mm	1	
24	0115-010096	Locknut	1	D
25	0115-010036	Sealing Ring	1	A/B
26	0115-010035	Flat Washer	2	D
27	0115-010032	Piston, 85mm	1	
28	0114-014466	Piston Seal, 85mm	1	A/B
29	0115-010034	Motor Rod	1	
30	0115-010006	Lower End Cap Machining	1	
31	0115-010657	Motor Rod Cartridge Assembly	1	B

Spare parts kits

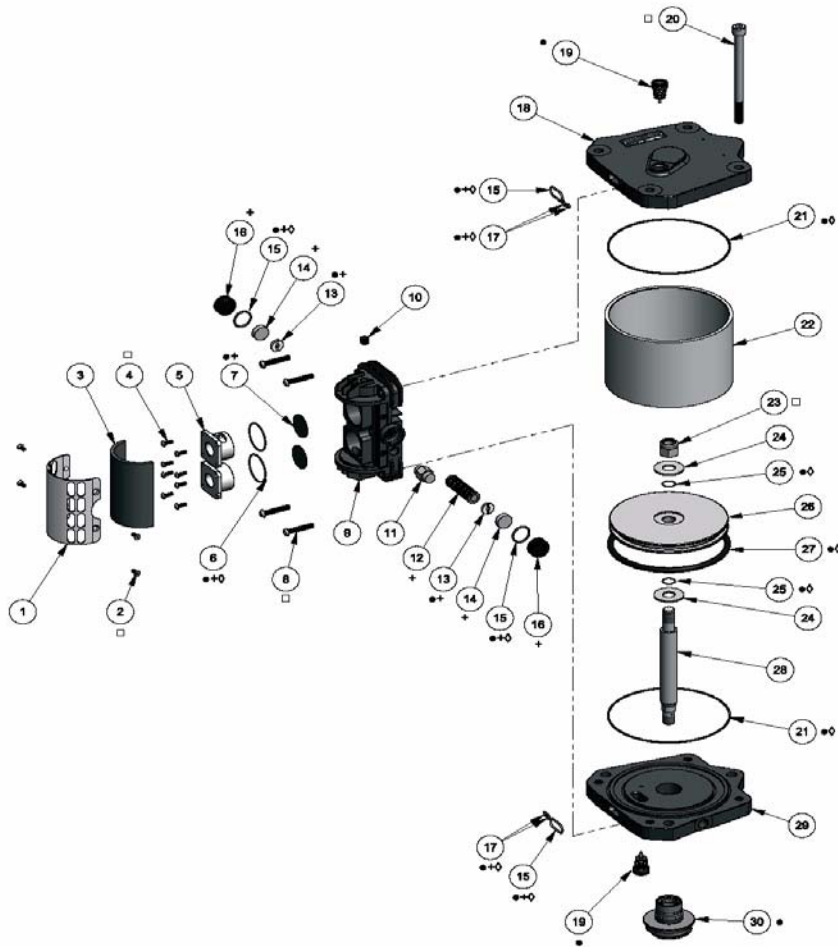
A	0115-010217	Seal Kit
B	0115-010215	Repair kit
C	0115-010226	Air Motor Valve Repair Kit
D	0115-010213	Hardware

Spare parts are available in the service kits as shown.

Air Motors

AX140

Use with MX12/31



Tanks & Pumps

Spare parts

Ref.	Part no.	Description	Qty	Kit
1	0115-010023	Exhaust Cover Screen	1	
2	0115-010024	Flat Head Counter Sunk Cap Screw	4	D
3	0115-010022	Exhaust Cover	4	
4	0115-010073	Button Head Cap Screw	8	D
5	0115-010019	Quick Exhaust Valve Cage	2	
6	0115-010021	O-ring	2	A/B/C
7	0115-010020	Diaphragm	2	A/B
8	0115-010026	Button Head Cap Screw	4	D
9	0115-010097	Valve Block Assembly	1	
10	0115-010107	Pipe Plug	1	D
11	0114-014774	Safety Valve	1	
12	0115-010015	Spool And Sleeve Assembly	1	B
13	0115-010016	Bumper	2	A/B
14	0115-010017	Magnet	2	B
15	0115-010049	O-ring	4	A/B/C
16	0114-010018	Valve Block End Cap	2	B
17	0115-010051	O-ring	4	A/B/C
18	0115-010117	Upper End Cap Machining	1	
19	0115-010037	Poppet Assembly	2	A

Ref.	Part no.	Description	Qty	Kit
20	0115-010124	Allen Head Cap Screw	4	
21	0115-010133	O-ring	2	A/C
22	0115-010116	AX140 Cylinder	1	
23	0115-010127	Locknut	1	D
24	0115-010131	Washer	2	
25	0115-010132	O-ring	2	A/C
26	0115-010128	AX140 Piston	1	
27	0115-010129	O-ring	1	A/C
28	0115-010130	AX140 Motor Rod	1	
29	0115-010119	Lower End Cap Machining	2	
30	0115-010651	Motor Rod Cartridge Assembly	1	A

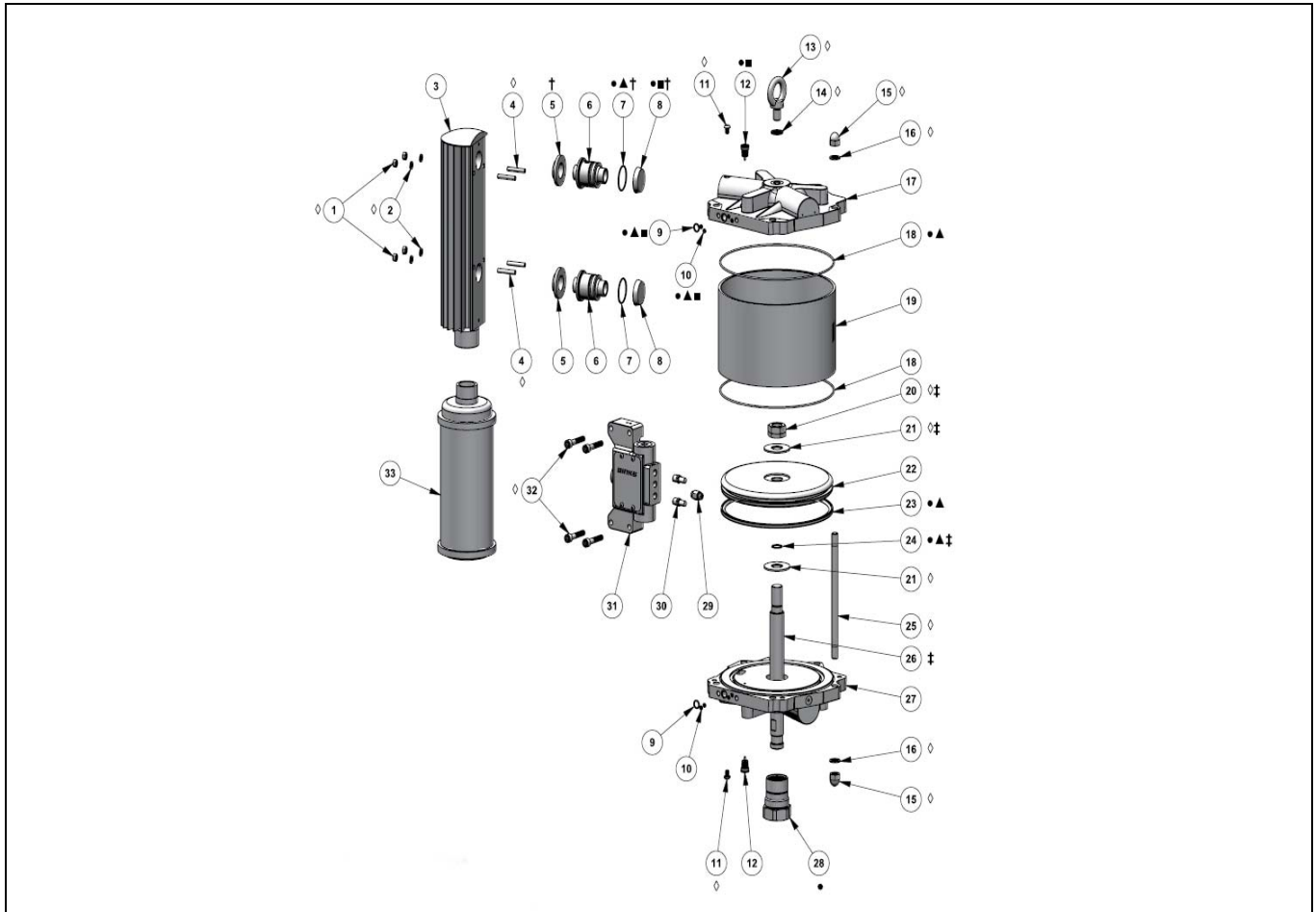
Spare parts kits

A	0115-010301	Repair Kit		
B	0115-010226	Valve Repair kit		
C	0115-010302	Seak Kit		
D	0115-010300	Hardware Kit		

Spare parts are available in the service kits as shown.

AX260L

Use with MX35/35, MX35/60 & MX30/70



Spare parts

Ref.	Part no.	Description	Qty	Kit
1	192049	M8 Hex nut s.s	4	D
2	165108	M8 Lockwasher s.s	4	D
3	193159	Exhaust manifold assembly	1	
4	165994	M8 x 44 stud s.s	4	D
5	193363	Exhaust gasket	2	E
6	193320	Qev cap	2	
7	162765	O-ring 2 x 46	2	A/B/E
8	0115-010463	Qev piston	2	A/C/E
9	162766	O-ring 2 x 13	2	A/B/C
10	0115-010051	O-ring 2 x 4	1	A/B/C
11	166000	M8 x 12mm button head screw s.s	2	D
12	0115-010037	Poppet assembly	2	A/C
13	192441	M16 eye bolt	1	D
14	165100	M16 lockwasher s.s	1	D
15	165981	M14 x 2 dome nut s.s	10	D
16	165982	M14 lockwasher	10	D
17	0115-010404	Upper end cap	1	
18	162768	O-ring 2 x 261	2	A/B
19	0115-010341	Cylinder	1	
20	0115-010348	M24 locknut	1	D/E/F
21	0115-010475	Piston washer	2	D/E/F
22	0115-010346	Piston	1	
23	0115-010351	Glyde ring	1	A/B
24	0115-010049	O-ring 2 x 20	1	A/B/F
25	193150	Tie rod	5	D
26	193321	Motor rod	1	F

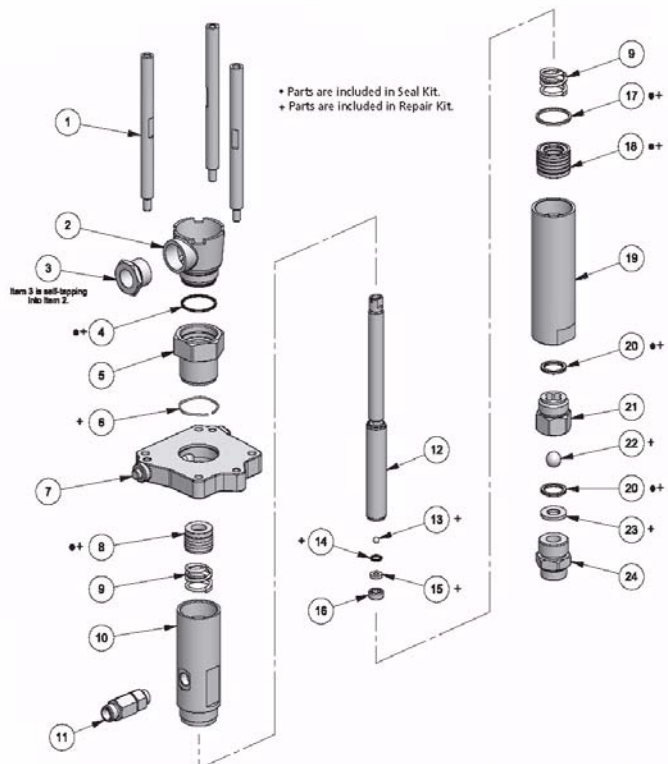
Ref.	Part no.	Description	Qty	Kit
27	0115-010405	Lower end cap	1	
28	192849	Motor rod cartridge assembly	1	A
29	0114-014716	Pressure relief valve 72 psi (5 bar) - AX260L-5	1	
	193538	Pressure relief valve 87 psi (6 bar) - AX260L-6	1	
	193539	Pressure relief valve 101 psi (7 bar) - AX260L-7	1	
	0114-014774	Pressure relief valve 116 psi (8 bar) - AX260L-8	1	
30	0115-010443	Valve muffler	2	
31	0115-010471	Main valve assembly	1	
32	165567	M10 x 50 socket head cap screw s.s	4	D
33	192509	Silencer	1	
34	165990	M8 x 55 socket head cap screw s.s	4	C/D
35	0115-010456	Manifold	1	
36	0115-010460	Gasket	1	A/B/C
37	0115-010425	Valve block end cap	2	C
38	162767	O-ring 2 x 30	2	A/B/C
39	0115-010428	Magnet	2	C
40	0115-010427	Bumper	2	C
41	0115-010431	Spacer	2	C
42	0115-010424	Spool and sleeve assembly	1	C
43	0115-010454	Valve block	1	

Spare parts kits				
A	250645	Seal kit		
B	250648	Cylinder seal kit		
C	250649	Valve repair kit		
D	250650	Hardware kit		
E	250651	Exhaust seal kit		
F	250652	Motor rod kit		

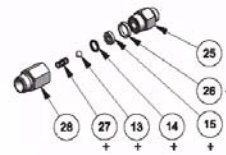
Fluid Pumps

FX4

Use with MX4/12 & MX4/32



0115-010256 CHECK VALVE ASSEMBLY



Tanks & Pumps

Spare parts

Ref.	Part no.	Description	Qty	Kit
1	0115-010646	Pump Tie Rod	3	
2	0115-010059	Solvent Cup	1	
3	0115-010060	Sight Gauge	1	
4	0115-010061	Solvent Cup Seal	1	D/R
5	0115-010062	Packing Adapter	1	
6	0115-010058	Wavo Spring	1	R
7	0115-010204	Adapter Plate Machining	1	
8	0115-010171	Upper Packing Set (PTFE/Leather)	1	D/R
opt.	0115-010175	Upper Packing Set (PTFE/UHMW)	1	D/R
opt.	0115-010206	Upper Packing Set (PTFE)	1	D/R
9	0115-010111	Packing Spring	2	
10	0115-010055	Upper Pump Tube	1	
11	0115-010256	Check Valve Assembly	1	
12	0115-010063	Pump Rod (Hard Chrome)	1	
13	0114-014745	Upper Ball, 6mm	2	R
14	0115-010065	Rod Seat Seal	2	R
15	0115-010066	Rod Seat	2	R
16	0115-010067	Rod Seat Nut	1	
17	0115-010064	Lower Pump Tube Seal	1	D/R
18	0115-010173	Lower Packing Set (PTFE/Leather)	1	D/R
opt.	0115-01077	Lower Packing Set (PTFE/UHMW)	1	D/R
opt.	0115-010207	Lower Packing Set (PTFE)	1	D/R

Ref.	Part no.	Description	Qty	Kit
19	0115-010056	Lower Pump Tube	1	
20	0115-010068	Lower Seat Seal	2	D/R
21	0115-010057	Lower Ball Cage	1	
22	0114-014237	Lower Ball, 15mm	1	R
23	0115-010069	Lower Seat	1	R
24	0115-010070	Seat Retainer	1	
25	0115-010258	Fluid Outlet Fitting	1	
26	0115-010259	Check Seal	1	R
27	0115-010087	Valve Spring	1	R
28	0115-010257	Check Valve Housing	1	
29	0115-010099	Rod Clip (Not Shown)	1	R

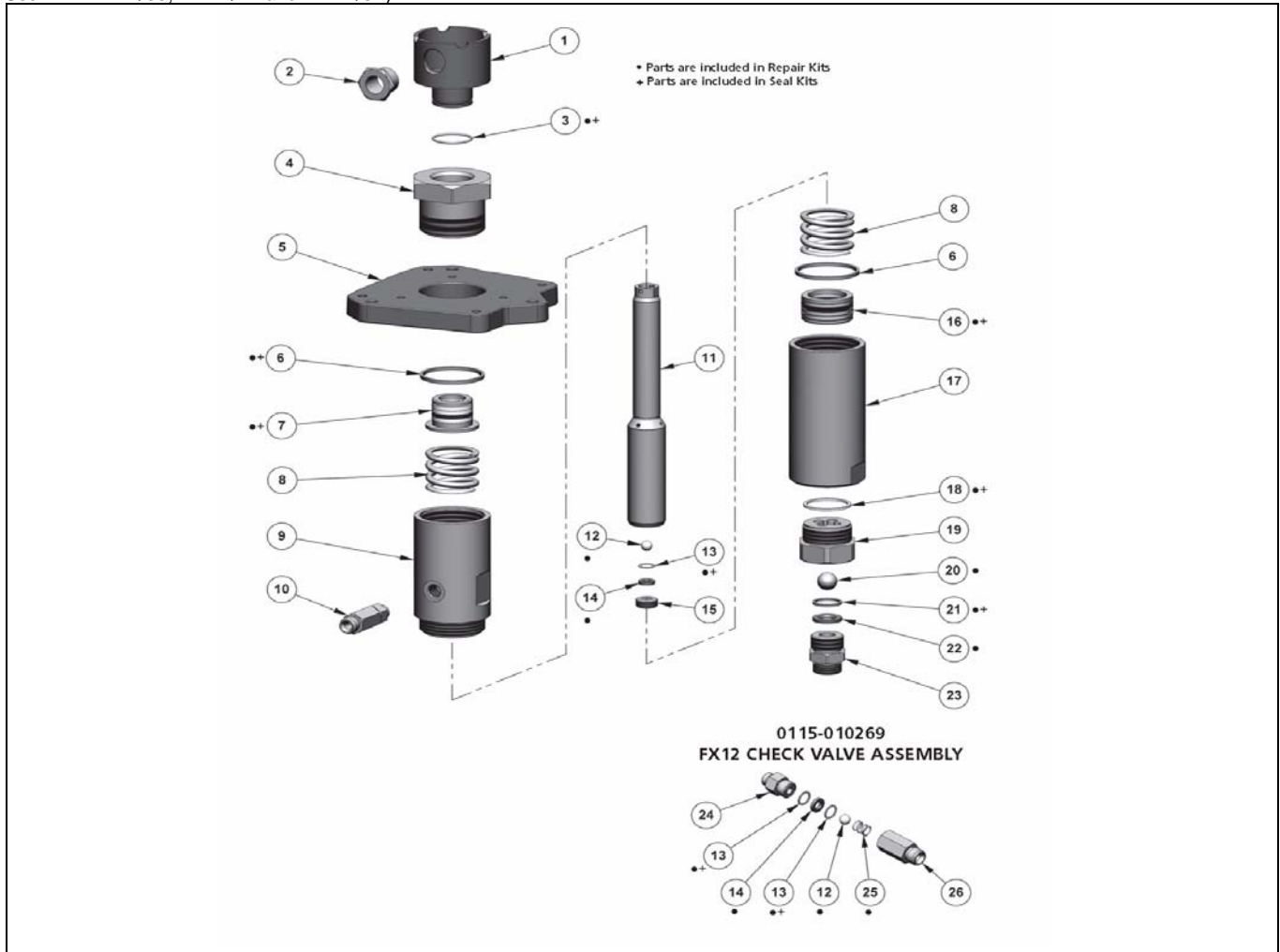
Spare parts kits

D	0115-010221	Seal Kit (PTFE/Leather)
D	0115-010223	Seal Kit (PTFE)
D	0115-010225	Seal Kit (PTFE/UHMW)
R	0115-010222	Repair Kit (PTFE/Leather)
R	0115-010224	Repair Kit (PTFE)
R	0115-010388	Repair Kit (PTFE/UHMW)

Spare parts are available in the service kits as shown.

FX12

Use with MX12/05, MX12/12 and MX12/31



Spare parts

Ref.	Part no.	Description	Qty	Kit
1	0115-010232	Solvent Cup	1	
2	0115-010294	Sight Glass	1	
3	0115-010231	O-ring	1	D/R
4	0115-010141	Upper Packing Retainer	1	
5	0115-010205	Pump Adapter Plate	1	
6	0115-010143	Pump Tube Seal	2	D/R
7	0115-010261	Upper Packing Set (PTFE/Leather)	1	D/R
opt.	0115-010263	Upper Packing Set (PTFE)	1	D/R
opt.	0115-010265	Upper Packing Set (PTFE/UHMW)	1	D/R
8	0115-010152	Packing Spring	2	
9	0115-010137	Upper Pump Tube	1	
10	0115-010269	Check Valve Assembly	1	
11	0115-010142	Pump Rod (Hard Chrome)	1	
12	0114-014022	Upper Ball (10mm)	2	R
13	0115-010144	Upper Seat Seal	3	D/R
14	0115-010145	Upper Seat	2	R
15	0115-010146	Upper Seat Retainer	1	
16	0115-010262	Lower Packing Set (PTFE/Leather)	1	D/R
opt.	0115-010264	Lower Packing Set (PTFE)	1	D/R
opt.	0115-010266	Lower Packing Set (PTFE/UHMW)	1	D/R
17	0115-010138	Lower Pump Tube	1	
18	0115-010140	Lower Ball Cage Seal	1	D/R

Ref.	Part no.	Description	Qty	Kit
19	0115-010139	Lower Ball Cage	1	
20	0114-014025	18mm Ball	1	R
21	0115-010147	Lower Seat Seal	1	D/R
22	0115-010148	Lower Seat	1	R
23	0115-010149	Fluid Inlet Fitting	1	
24	0115-010258	Fluid Outlet Fitting	1	
25	0115-010270	Check Valve Spring	1	R
26	0115-010271	Check Valve Housing	1	

Spare parts kits

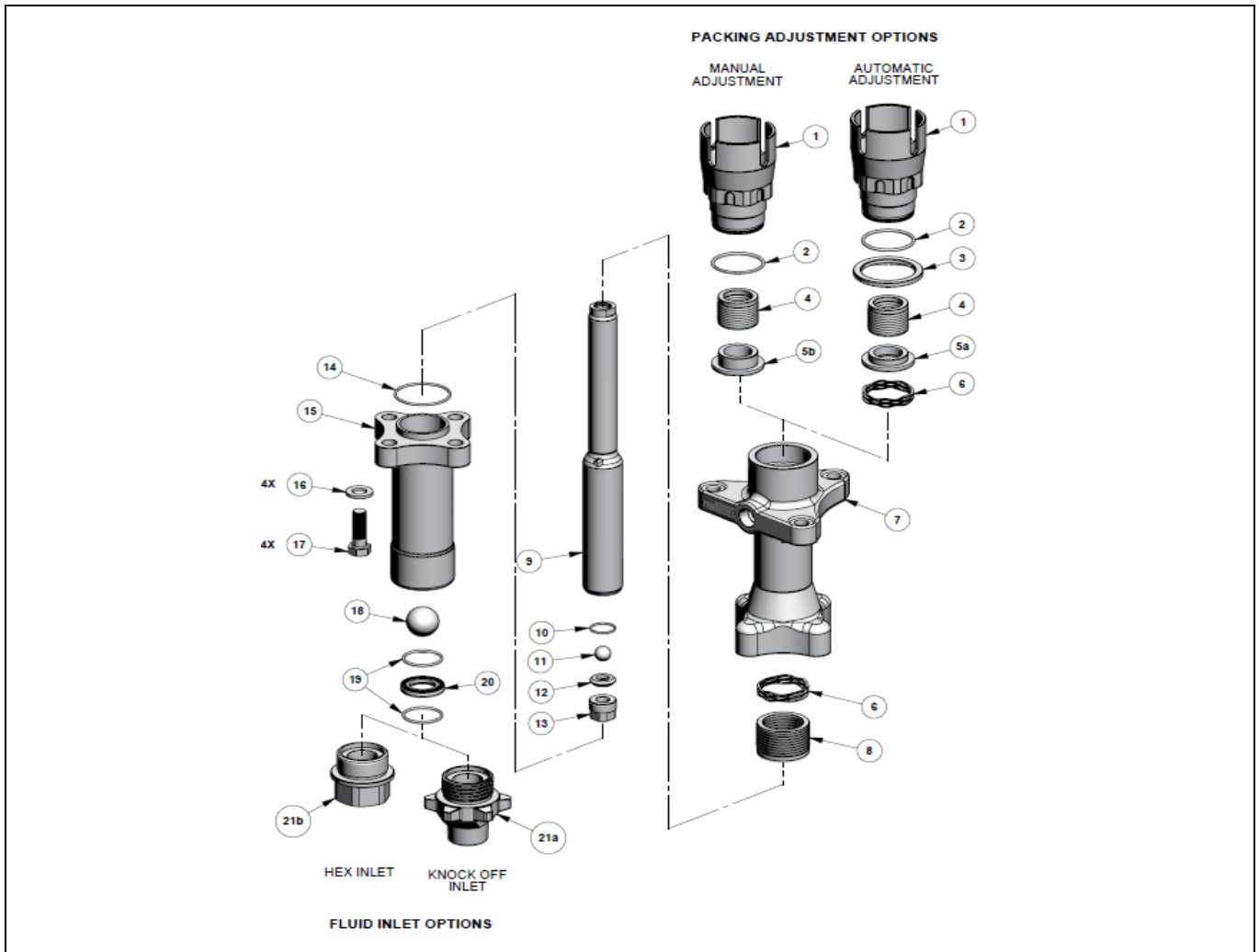
R	0115-010307	Repair Kit (PTFE/Leather)		
R	0115-010309	Repair Kit (PTFE)		
R	0115-010387	Repair Kit (PTFE/UHMW)		
D	0115-010306	Seal Kit (PTFE/Leather)		
D	0115-010308	Seal Kit (PTFE)		
D	0115-010303	Seal Kit (PTFE/UHMW)		

Spare parts are available in the service kits as shown.

Fluid Pumps

FX190/220

Use with MX35/35, MX35/60 and MX30/)

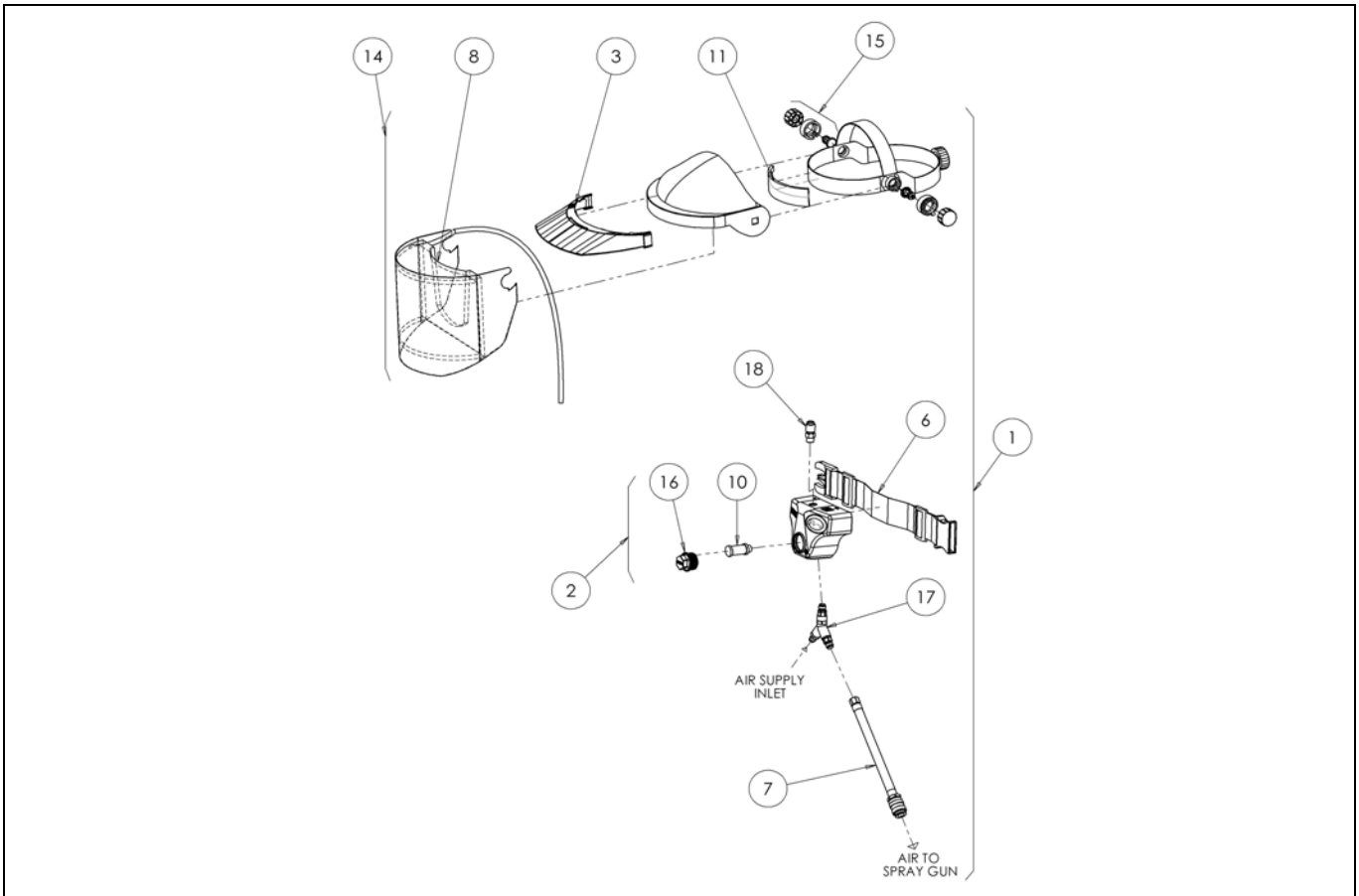


Spare parts

Ref.	Part no.	Description	Qty	Kit
1	193295	Packing nut	1	
2	162773	O-ring Ø57mm	1	All
3	193298	Packing spacer - spring load only	1	
	193296	FX220 upper packing assembly (UHMW)	1	4/9
	193303	FX220 upper packing assembly (PTFE)	1	3/8
	193308	FX220 upper packing assembly (PTFE/Leather)	1	1/6
	193313	FX220 upper packing assembly (UHMW/PTFE)	1	2/7
4	193770	FX220 upper packing assembly (UHMW/Leather)	1	5/10
	193502	FX190 upper packing assembly (UHMW/PTFE)	1	14/19
	193505	FX190 upper packing assembly (PTFE)	1	13/18
	193506	FX190 upper packing assembly (PTFE/Leather)	1	11/16
	193507	FX190 upper packing assembly (UHMW)	1	12/17
	193772	FX190 upper packing assembly (UHMW/Leather)	1	15/20
5a	193299	Packing loader- spring load only	1	
5b	193301	Packing loader - Manual adj. only	1	
6	41-28038	Packing spring - 1 for manual adj.	2	
7	193326	Upper housing - carbon steel	1	
	193285	Upper housing - st st	1	
	193294	FX220 lower packing assembly (UHMW)	1	4/9
	193305	FX220 lower packing assembly (PTFE)	1	3/8
8	193310	FX220 lower packing assembly (PTFE/Leather)	1	1/6
	193314	FX220 lower packing assembly (UHMW/PTFE)	1	2/7
	193771	FX220 lower packing assembly (UHMW/Leather)	1	5/10

Ref.	Part no.	Description	Qty	Kit
	193501	FX190 lower packing assembly (UHMW/PTFE)	1	14/19
	193503	FX190 lower packing assembly (PTFE)	1	13/18
8	193504	FX190 lower packing assembly (PTFE/Leather)	1	11/16
	193508	FX190 lower packing assembly (UHMW)	1	12/17
	193773	FX190 lower packing assembly (UHMW/Leather)	1	15/20
9	193287	FX220 pump rod	1	
	193500	FX190 pump rod	1	
10	162770	O-ring Ø27mm	1	All
11	171790	3/4" ball	1	6-10,16-20
12	193288	3/4" ball seat	1	6-10,16-20
13	193289	Seat retainer	1	
14	162772	O-ring Ø62mm	1	All
15	193327	Lower housing - carbon steel	1	
	193286	Lower housing - st st	1	
16	165097	Wasger	4	
17	165369	Hex headcap screw	4	
18	191791	1-1/2" ball	1	6-10,16-20
19	162771	O-ring Ø45mm	2	1-9,11-14,16-19
20	193290	1-1/2" seat assembly	1	6-10,16-19
21a	193334	Fluid inlet (knock off)	1	
21b	193468	Fluid inet (hex)	1	

PROV-600 Pro Visor

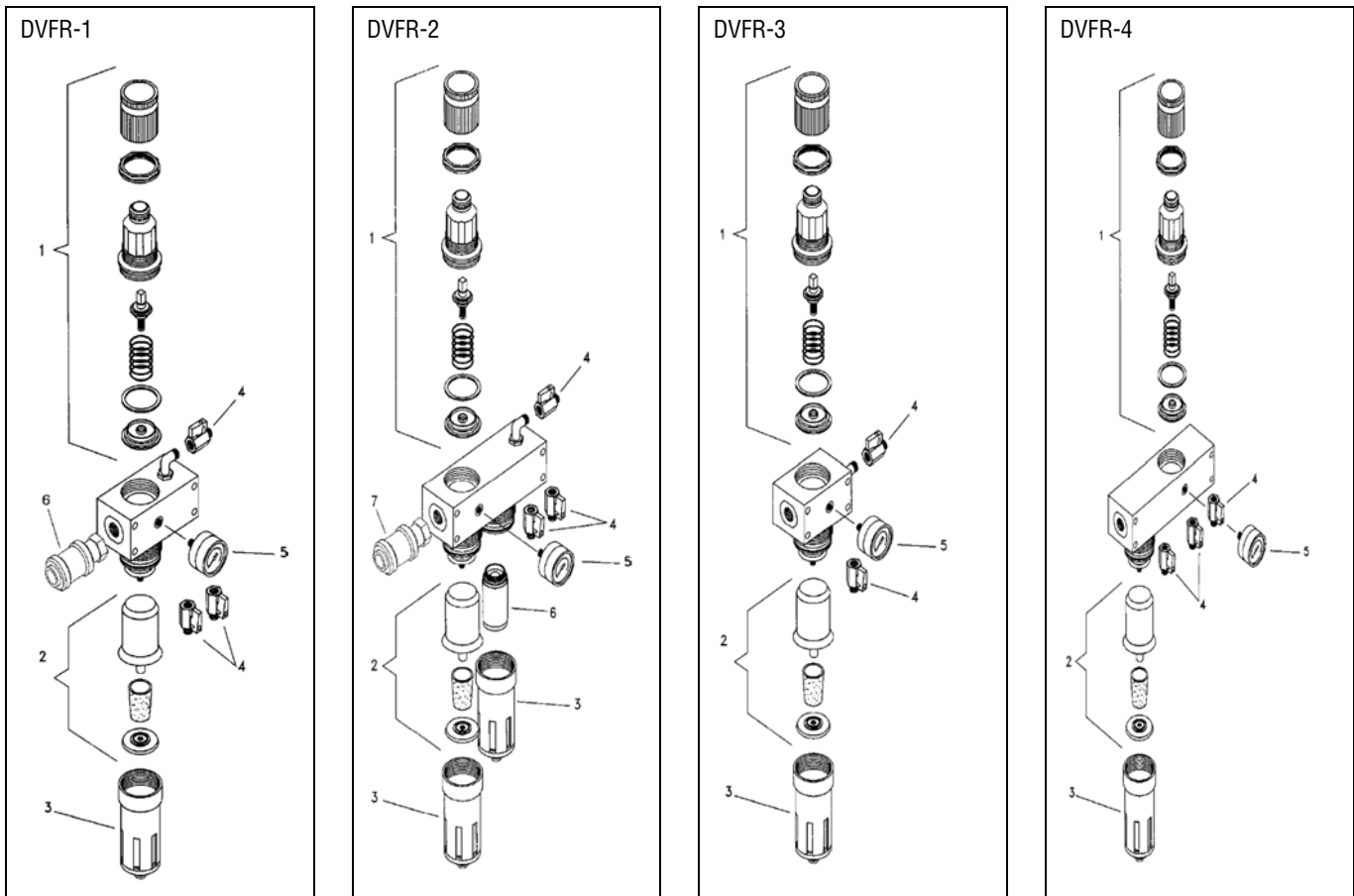


Spare parts

Ref.	Part no.	Description
1	PROV-600	Pro-Visor complete unit
2	PROV-20-K	Belt & Regulator
3	PROV-21-K	Peak
4	PROV-22-K10	Tear-off visors pack of 10
5	PROV-22-K50	Tear-off visors pack of 50
6	PROV-23-K	Belt and Buckle
7	PROV-406-K	1.2m Hose (To Spray Gun)
8	PROV-25-K	Rigid acetate visor face seal and air tube
9	PROV-26-K	Storage bag
10	PROV-27-K4	Filter element (Pack 4)
11	PROV-28-K4	Comfort brow band (Pack 4)
12	H-6085-QD	10m Air hose - 5/16"ID male & female QD's
13	H-6065-B	10m Air hose - 5/16"ID, 1/4" BSP G swivel F connectors
14	PROV-29-K	Visor head piece & Breathing air tube
15	PROV-30-K	Spacer, Stud & Knob (set of all sizes)
16	PROV-31-K	Filter cap & Seal
17	PROV-32-K	Y-Piece Assembly
18	PROV-33-K	QD Connector

Air Filter/Regulators

DVFR-1/-2/-3/-4



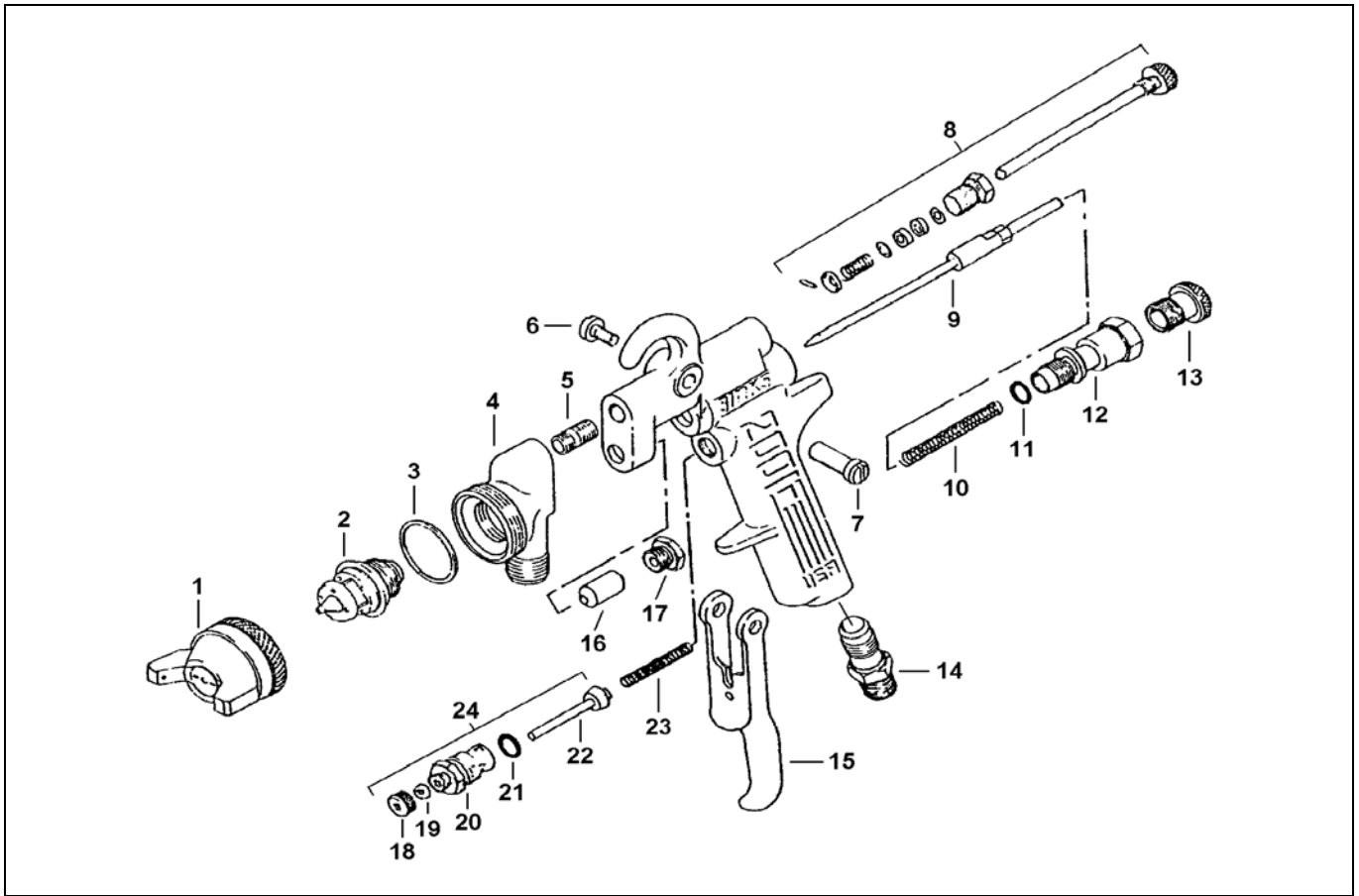
Spare parts

Ref.	Part no.	Description
1	DV-9450806	Upper cover assembly including diaphragm for DVFR-1/-2/-4
	DV-9350811	Upper cover for DVFR-3
2	DV-9451705	Filtering element for DVFR-1/-2/-4
	DV-9351706	Replacement coarse filter for DVFR-3
3	DV-9453301-MET	Metal filter housing for DVFR-1/-2
	DV-9353301	Filter bowl for DVFR-3/-4
4	SER-3414-MF	Ball valve for air outlet 1/4" BSP
5	GA-319	Pressure gauge 0 - 160psi
6	DV-8000035	Isolation valve 1/2"
	DV-9451711	Fine filter element for DVFR-2
7	DV-8000035	Isolation valve 1/2" for DVFR-2

Product	Type of Product	Replacement Product	Spare parts Page
2001 S	Manual spray gun Binks	Advance HD	63
95A	Automatic spray gun Binks	Advance HD	64
95AR	Automatic spray gun Binks	Advance HD	65
95SL	Manual spray gun Binks	Advance HD	66
A3500	Manual spray gun Binks	A75	67
A7500	Manual spray gun Binks	A75	68
AA1500	Manual spray gun Binks	AA4400M	69
AA4000	Manual spray gun Binks	AA4400M	70
AGF	Automatic spray gun DeVilbiss	460	71
AGG	Automatic spray gun DeVilbiss	Cobra 1/2	72
AGGS	Automatic spray gun DeVilbiss	Cobra 1/2	73
AGMD	Automatic spray gun DeVilbiss	AGMD Pro	77
AGN	Automatic spray gun DeVilbiss	Cobra 1/2	78
AGP	Automatic spray gun DeVilbiss	Cobra 1/2	74
AGPV	Automatic spray gun DeVilbiss	Cobra 1/2	75
AGT	Automatic spray gun DeVilbiss	Cobra 1/2	76
Airless 1	Manual spray gun Binks	A75	79
Compact Pressure Spray Gun	Manual spray gun DeVilbiss	Advance HD	80
Compact V Pressure Spray Gun	Manual spray gun DeVilbiss	Advance HD	81
Compact Gravity Spray Gun	Manual spray gun DeVilbiss	Advance HD	82
Compact Suction Spray Gun	Manual spray gun DeVilbiss	Advance HD	83
DSG-2000	Manual spray gun DeVilbiss	AA4400M	84
FLG3 Gravity spray gun	Manual spray gun DeVilbiss	FLG5	85
FUN Gun	Manual spray gun DeVilbiss	JJ Gun	86
GFG	Manual spray gun DeVilbiss	GFG HD	87
GFP	Manual spray gun DeVilbiss	Advance HD	88
GFV	Manual spray gun DeVilbiss	Advance HD	89
GTI-A	Automatic spray gun DeVilbiss	Cobra 1/2	90
GTI-G Gravity spray gun	Manual spray gun DeVilbiss	GTi HD	91
GTI-P Pressure spray gun	Manual spray gun DeVilbiss	GTI HD	92
GTI-S Suction spray gun	Manual spray gun DeVilbiss	GTI HD	93
HAP50D	Manual spray gun Binks	A75	94
HAP50F	Manual spray gun Binks	A75	95
JGV	Manual spray gun DeVilbiss	Advance HD	96
JGX	Manual spray gun DeVilbiss	Advance HD	97
LM70/42	HP Air Motor Binks	-	98
LM70/75	HP Air Motor Binks	-	99
LM85/75	HP Air Motor Binks	MX4/32	100
LM105/75	HP Air Motor Binks	-	101
LM140/75	HP Air Motor Binks	MX12/31	102
LM200/120	HP Air Motor Binks	-	103
LUX pump	Diaphragm pump DeVilbiss	DVP pump	104
M90 Cascade	Electrostatic spray gun Ransburg	Vector AA90	105
M90 Classic	Electrostatic spray gun Ransburg	Vector AA90	107
MACH1A	Automatic spray gun Binks	Cobra 1/2	110
MACH1AR	Automatic spray gun Binks	Cobra 1/2	111
MACH1SL	Manual spray gun Binks	Advance HD	112
MACH2A	Automatic spray gun Binks	AA4400A	113
MACH3SL	Manual spray gun Binks	AA4400M	114

Product	Type of Product	Replacement Product	Spare parts Page
MAG AA	Automatic spray gun Binks	AA4400A	115
MP11/42	HP Fluid Pump Binks	-	116
MP27/75	HP Fluid Pump Binks	MX4/32	117
MP38/75	HP Fluid Pump Binks	-	118
MP72/75	HP Fluid Pump Binks	-	119
MP115/120	HP Fluid Pump Binks	-	120
MP150/120	HP Fluid Pump Binks	-	121
MSA	Manual spray gun DeVilbiss	Advance HD	122
MSAE	Manual spray gun DeVilbiss	Advance HD	123
MSAT	Manual spray gun DeVilbiss	Advance HD	124
MSV	Manual spray gun DeVilbiss	Advance HD	125
PRI	Manual spray gun DeVilbiss	PRi HD	126
REA III	Electrostatic spray gun Ransburg	Vector	127
REA IV	Electrostatic spray gun Ransburg	Vector	131
REA 90	Electrostatic spray gun Ransburg	Vector	133
REM-A	Automatic Electrostatic spray gun Ransburg		135
Scorpion	Automatic spray gun DeVilbiss	Viper	137
SRi Gravity Spray Gun	Manual spray gun DeVilbiss	SRi HD	138
T-AGB	Automatic spray gun DeVilbiss	-	139

2001 S



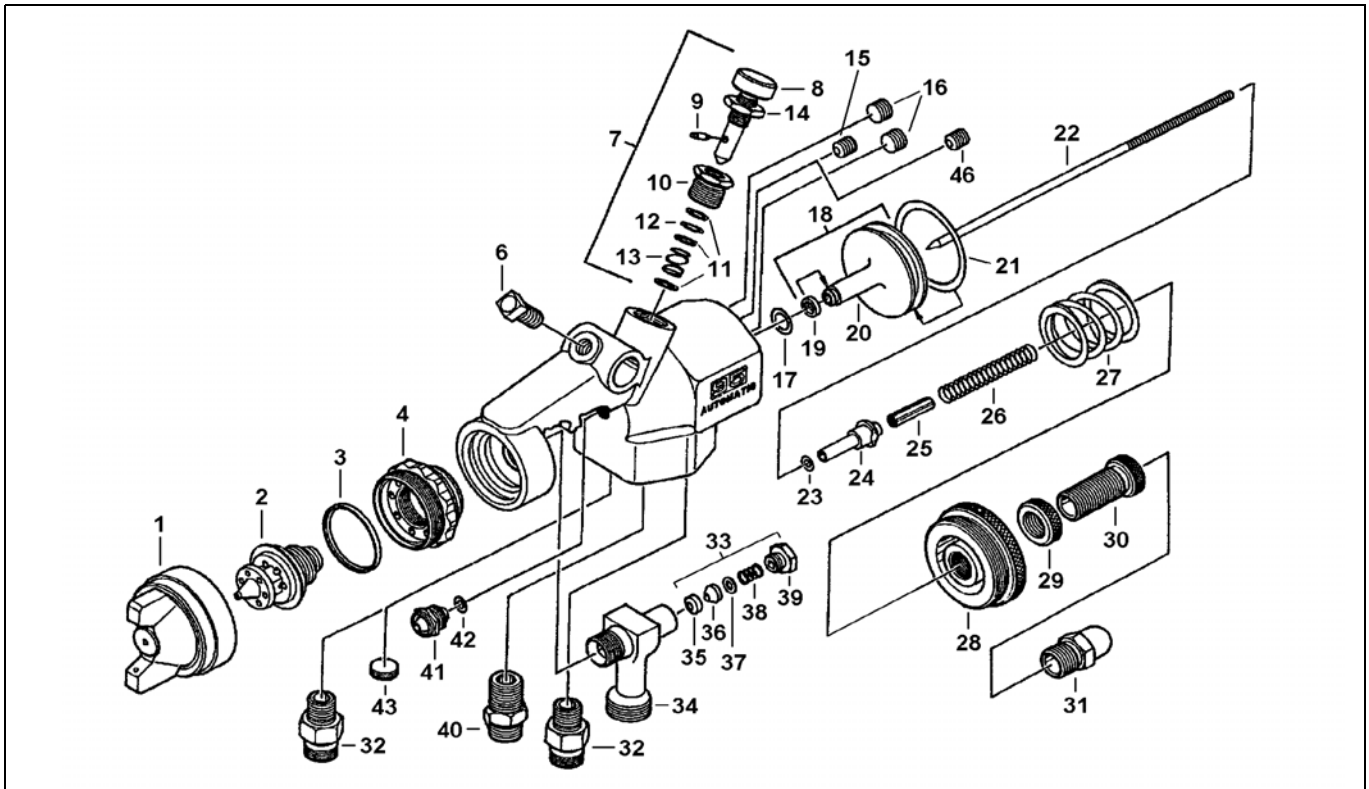
Spare parts

Ref.	Part no.	Description
1	46-6002	Air cap 63PB
2	45-6601	Nozzle 1.2 mm
3	54-918-5	Seal
4		Gun head
5	54-710	Screw
6	82-126-5	Screw
7	54-1020	Pin
8	54-3347	Jet regulator
9	47-56310	Material needle 563A
10	54-1347-5	Spring
11	20-5285-5	O-ring (Pack of 5)
12	54-1013	Body
13	54-1007	Adjusting screw
14	54-768	Air inlet 1/4"
15	54-1050	Trigger
16	2-28-5	Needle packing
17	56-164	Packing screw
18	82-135-5	Nut

Ref.	Part no.	Description
19	82-158-5	Packing (Pack of 5)
20	54-1010	Air valve body
21	20-3757	O-ring
22		Air valve cone
23	54-750-5	Spring
24	54-1236	Air valve, compl.

Accessories

6-229	Repair kit
	Repair kit packing
54-1780	Jet regulator
	Pencil/fan jet
54-4133	Cleaning paintbrush
82-469	Cleaning brush
5-476	Gun spanner
6-428	Gun oil (75 ml)



Spare parts

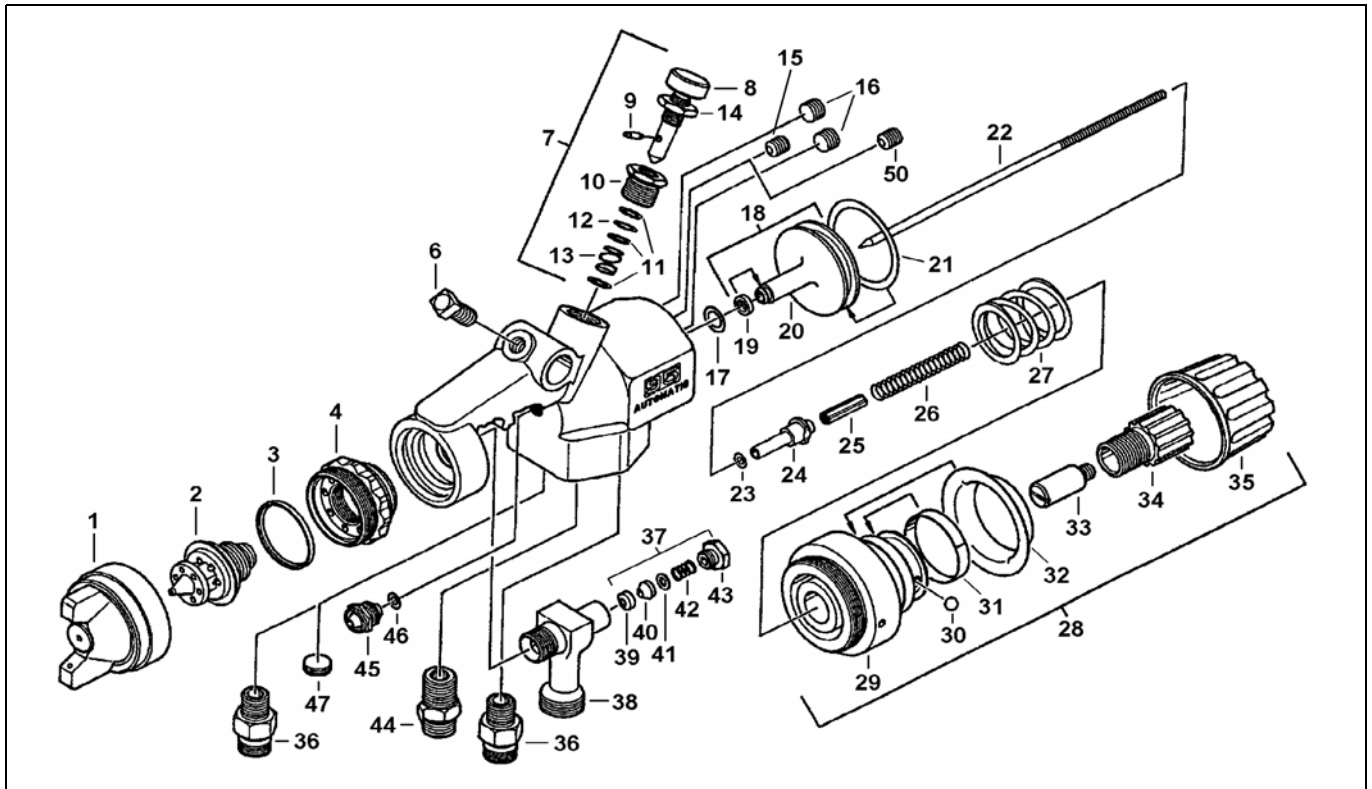
Ref.	Part no.	Description
1	46-6002	Air cap 63PB
2	45-6321	Nozzle 1.2 mm
3	54-918-5	Seal
4	54-4215	Head insert
6	20-1359	Screw
7	54-3720	Jet regulator
8	54-3721	Spindle
9	31-258	Locking pin
10	31-256	Insert
11	31-259	Disc
12	20-3620-5	O-ring
13	31-241	Spring
14		Nut
15	20-5589	Plug
16	20-5692	Plug
17	20-5286	O-ring
18	54-3706	Piston unit
19	54-3729	O-ring
20	54-3722	Piston
21	20-4511	O-ring
22	47-763	Needle 763A
23	20-3515-5	O-ring
24	54-3713	Needle body
25	54-3709	Lock nut
26	54-3719	Spring
27	54-3707	Spring
28	54-3708	End cap

Ref.	Part no.	Description
29	54-3732	Lock nut
30	54-3731	Control knob
31	54-3715	Needle cap
32	71-28	Air inlet 1/4" NPS
33	54-4261	Packing, compl.
34	54-4210	Material inlet
35	54-4264	Packing
36	54-4265	Needle seal
37	54-4266	Disc
38	54-4267	Spring
39	54-4263	Packing screw
40	57-13	Nipple 1/4" NPS
41	54-3716	Air valve
42	20-3859-5	O-ring
43	20-2287-1	Plug
46	20-2141	Screw

Accessories

54-4225	Repair kit packing
54-3980	Repair kit
54-4213	Gun spanner
82-469	Cleaning brush
6-428	Gun oil (75 ml)
54-380	Gun holder
54-3691	Gun cover (Pack of 20)

95AR



Spare parts

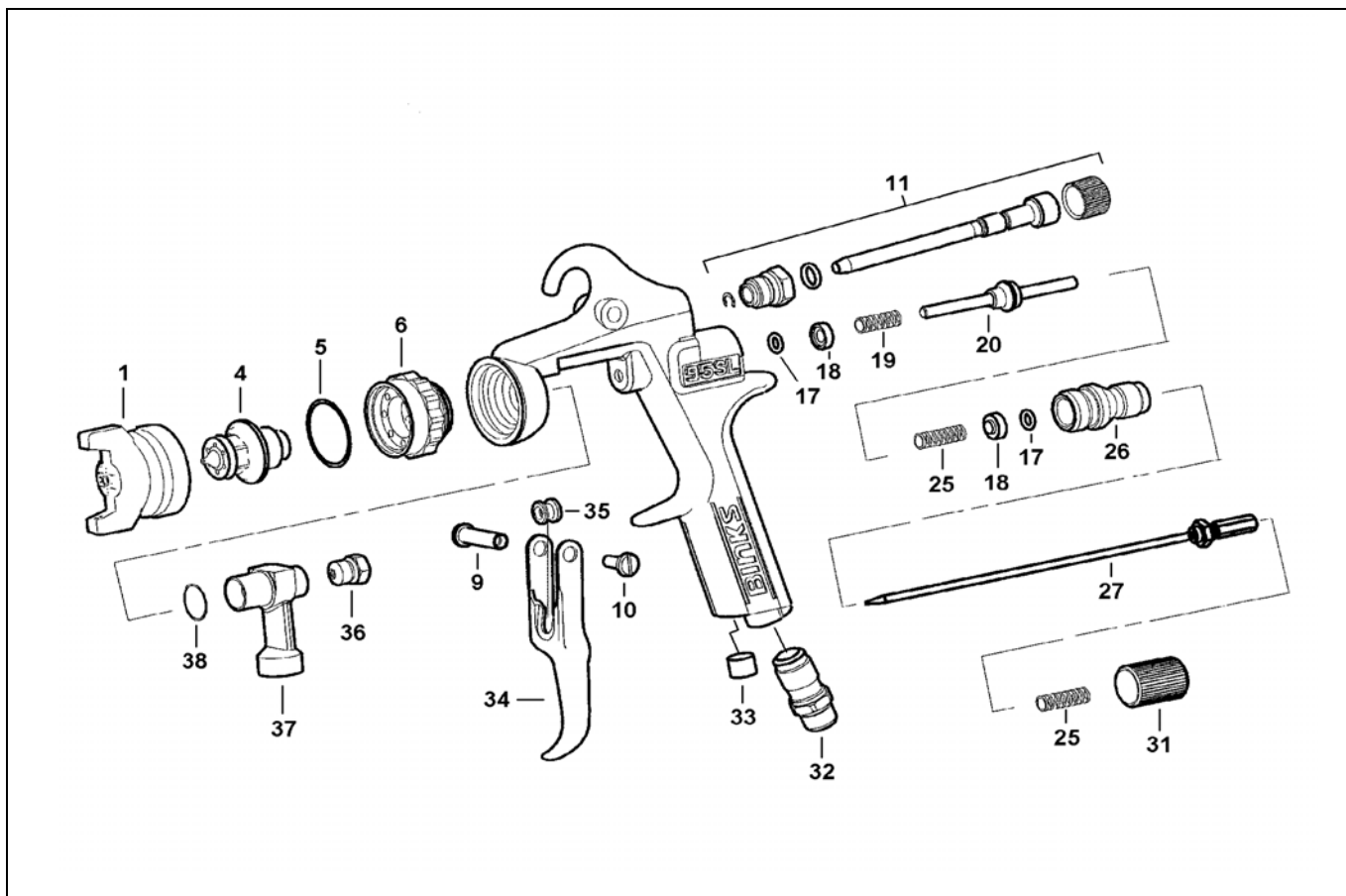
Ref.	Part no.	Description
1	46-6002	Air cap 63PB
2		Nozzle 1.2 mm
3	54-918-5	Seal
4	54-4215	Head insert
6	20-1359	Screw
7	54-3720	Jet regulator
8	54-3721	Spindle
9	31-258	Locking pin
10	31-256	Insert
11	31-259	Disc
12	20-3620-5	O-ring
13	31-241	Spring
14		Nut
15	20-5589	Plug
16	20-5692	Plug
17	20-5286	O-ring
18	54-3706	Piston unit
19	54-3729	O-ring
20	54-3722	Piston
21	20-4511	O-ring
22	47-763	Needle 763A
23	20-3515-5	O-ring
24	54-3713	Needle body
25	54-3709	Lock nut
26	54-1697-5	Spring
27	54-1876	Spring
28	54-3582	Adjusting unit
29		Housing
30	20-2183	Ball

Ref.	Part no.	Description
31	54-1878	Spring
32	54-1870	Indicator ring
33	54-3583	Screw
34		Ratchet
35		Adjusting cap
36	71-28	Air inlet 1/4" NPS
37	54-4261	Packing, compl.
38	54-4210	Material inlet
39	54-4264	Packing
40	54-4265	Needle seal
41	54-4266	Disc
42	54-4267	Spring
43	54-4263	Packing screw
44	57-13	Nipple 1/4" NPS
45	54-3716	Air valve
46	20-3859-5	O-ring
47	20-2287-1	Plug
50	20-2141	Screw

Accessories

54-4225	Repair kit packing
54-3579	Repair kit
54-4213	Gun spanner
82-469	Cleaning brush
6-428	Gun oil (75 ml)
54-380	Gun holder
54-3691	Gun cover (Pack of 20)

95SL



Spare parts

Ref.	Part no.	Description
1	46-6002	Air cap 63PB
4	45-6321	Nozzle 1.2 mm
5	54-918-5	Seal
6	54-4215	Head insert
9		Pin
10		Screw
11	54-4557	Jet regulator
17	20-4615-5	O-ring
18	54-3515	Seal retainer housing
19	54-3520	Spring
20	54-3512	Spindle unit
25	54-3518	Spring
26	54-3541	Housing
27	47-86310	Needle 863A
31		Adjusting screw

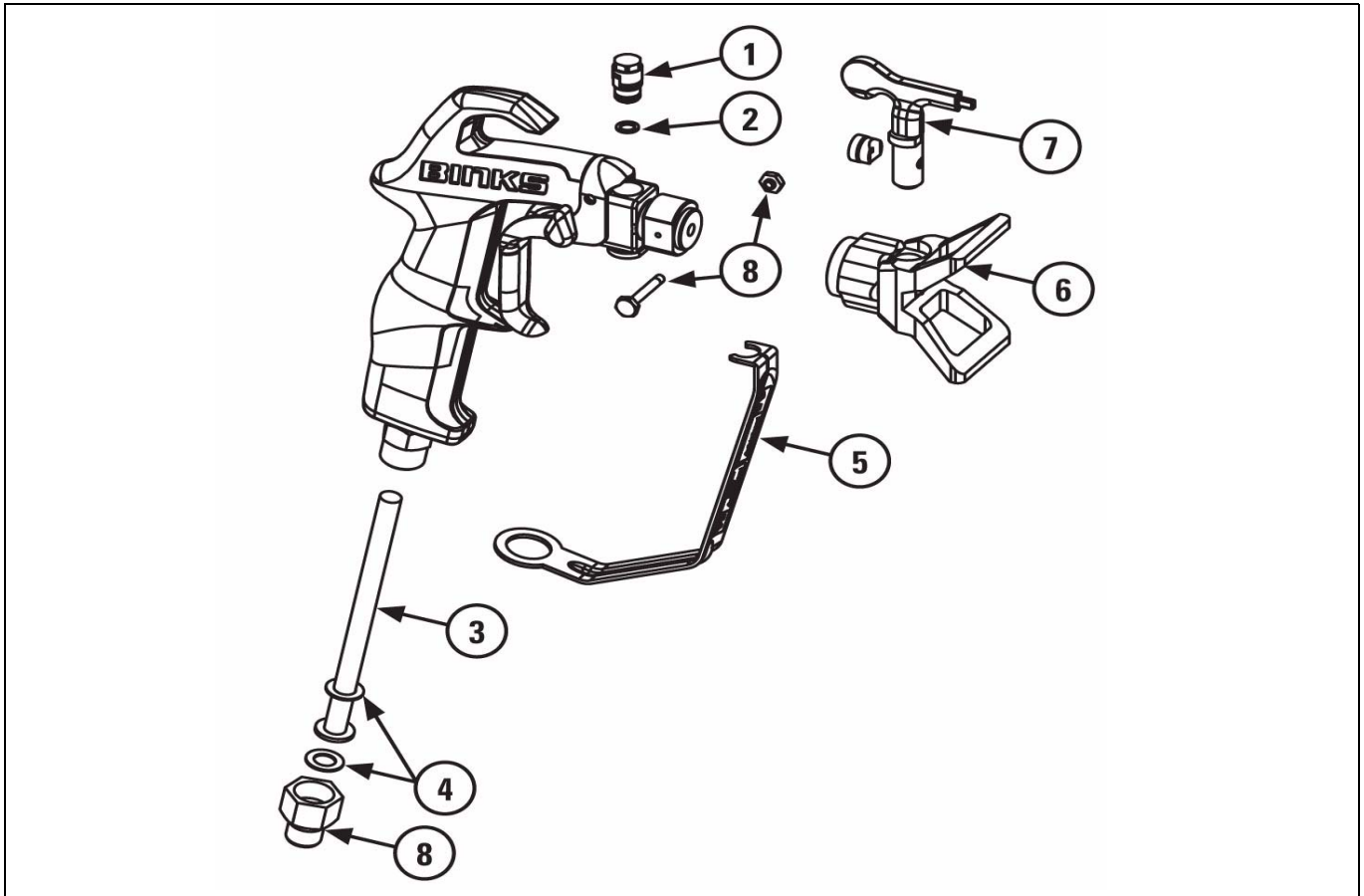
Ref.	Part no.	Description
32	54-768	Air inlet 1/4"
33	54-3986	Plug
34		Trigger
35	54-3513	Valve cap
36	54-4370	Packing screw
37	54-4553	Material inlet 3/8" NPS
38	54-3592	Seal

Accessories

54-4559	Repair kit
54-4133	Cleaning paintbrush
82-469	Cleaning brush
54-4213	Gun spanner
6-428	Gun oil (75 ml)

A3500

(Airless)



Spare parts

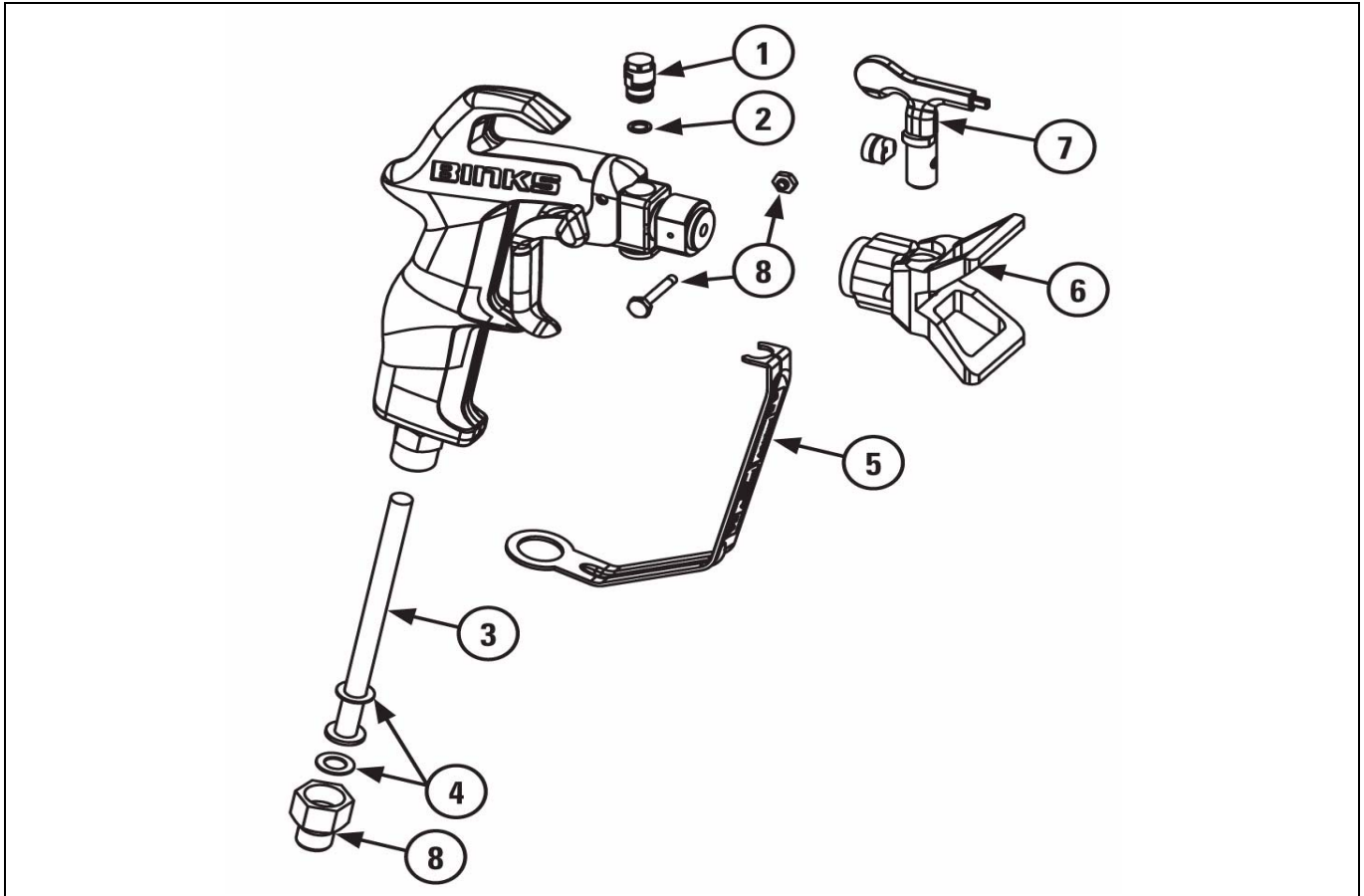
Ref.	Part no.	Description
1	1108-3575	Valve Cartridge
2	54-5711-K5	Valve Seat Kit
3	54-5730-K5	Fluid Filter 60 Mesh Kit (Qty: 5)
	54-5731-K5	Fluid Filter 100 Mesh Kit (Qty: 5)
4	54-5709-K10	Filter Seal Kit (Qty: 10)
5	54-5721	Trigger Guard
6	1108-35B	Safety Tip Guard - 3500 psi
	1108-35F	Flat Tip Guard - 3500 psi
7	9-XXX-35	Spray Twist Tip - 3500 psi (see table)
	9-XXXF-35	Spray Flat Tip - 3500 psi (see table)
8	54-5760	Airless Gun Repair Kit (Screw, Nut, Filter Adapter)

Accessories

72-2332	Swivel Adaptor 1/4" M x 1/4" F
72-2333	Swivel Adaptor 3/8" M x 1/4" F
52-5203	10" Airless Tip Extension 3500 PSI
52-5204	15" Airless Tip Extension 3500 PSI
52-5205	20" Airless Tip Extension 3500 PSI
52-5206	30" Airless Tip Extension 3500 PSI
52-5207	Airless Swivel Head

A7500

(Airless)



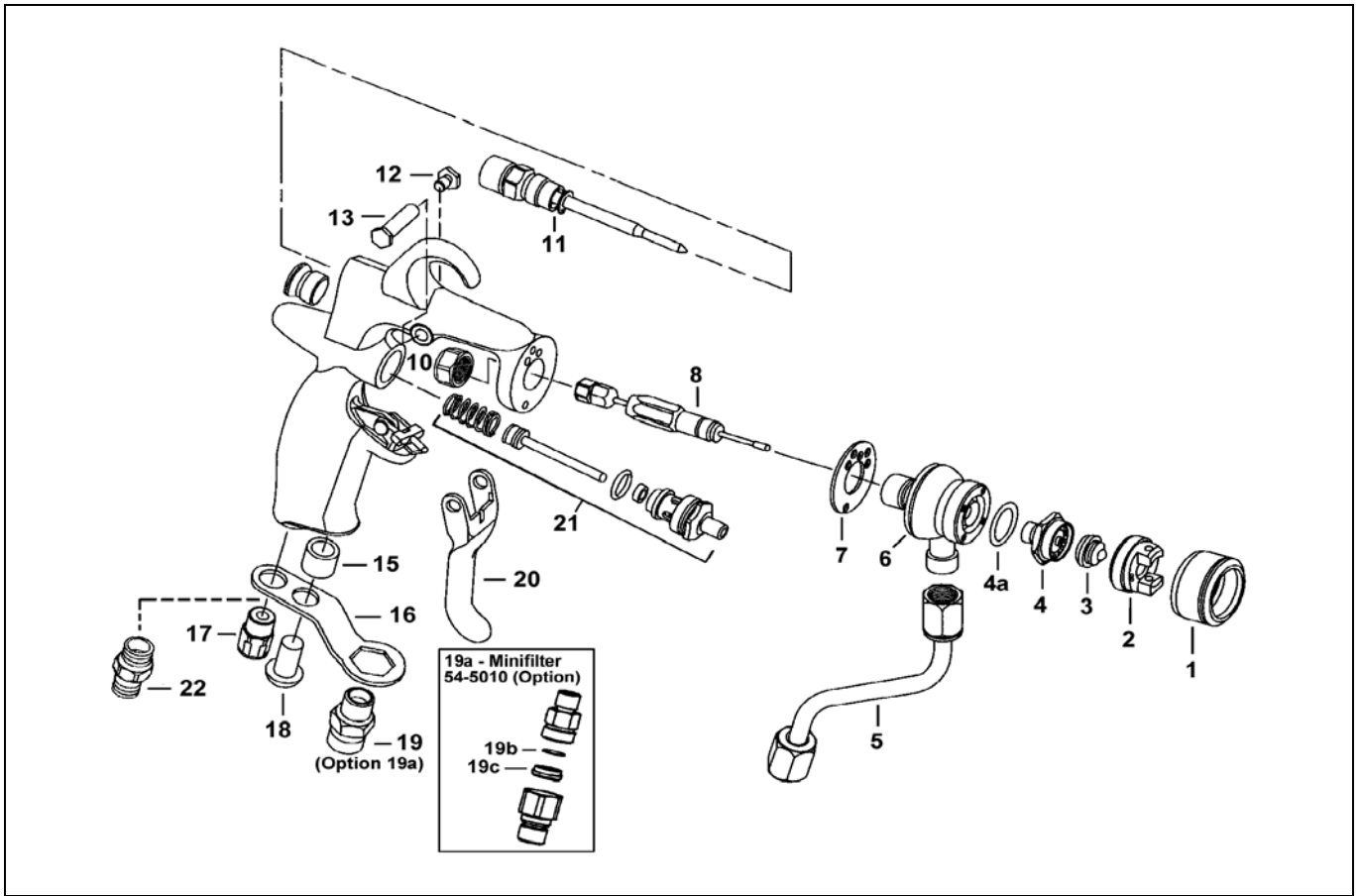
Spare parts

Ref.	Part no.	Description
1	1108-3575	Valve Cartridge
2	54-5711-K5	Valve Seat Kit
3	54-5730-K5	Fluid Filter 60 Mesh Kit (Qty: 5)
	54-5731-K5	Fluid Filter 100 Mesh Kit (Qty: 5)
4	54-5709-K10	Filter Seal Kit (Qty: 10)
5	54-5721	Trigger Guard
6	1108-75B	Safety Tip Guard - 7500 psi
7	9-XXX-75	Spray Twist Tip - 7500 psi (see table)
8	54-5760	Airless Gun Repair Kit (Screw, Nut, Inlet Fitting)

Accessories

72-2332	Swivel Adaptor 1/4" M x 1/4" F
72-2333	Swivel Adaptor 3/8" M x 1/4" F
52-5208	36" Airless Tip Extension 7500 PSI
52-5209	60" Airless Tip Extension 7500 PSI
52-5207	Airless Swivel Head

AA1500



Spare parts

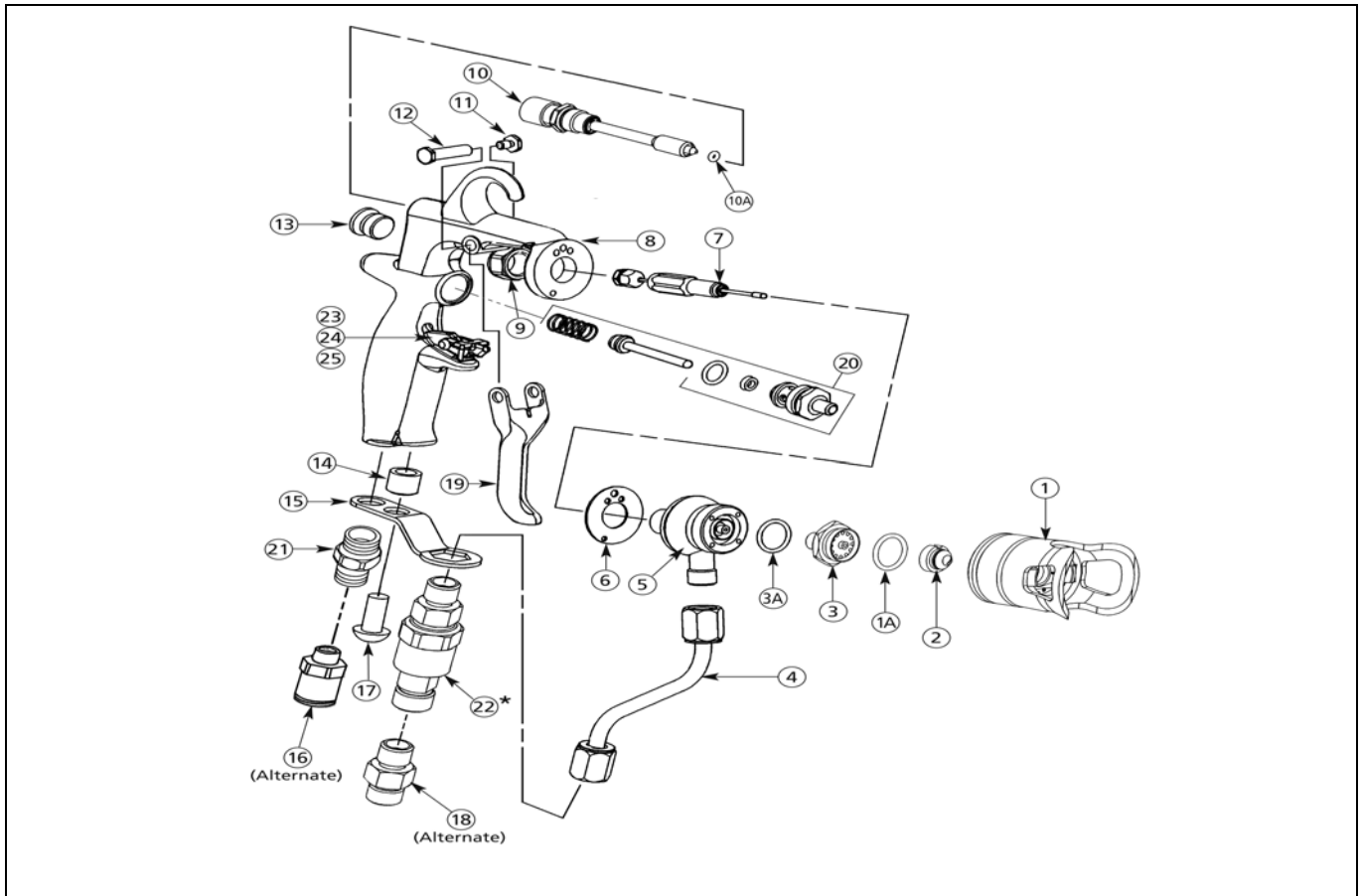
Ref.	Part no.	Description
1	54-4955	Retaining ring
2	54-4980	Air cap AA2
	54-4978	Air cap AA4
3		Nozzle 0.46 mm
4	54-4926	Pre-atomiser standard
	54-4960	Pre-atomiser hard metal
4a	20-6037-K10	O-ring (Pack of 10)
5	54-4906	Material tube
6		Gun head
7	54-4923	Seal
8	54-5446	Material needle with packing
10	54-4925	Nut
11	54-4977	Jet regulating valve
12	54-4939	Screw
13	54-4938	Trigger spindle
15	54-4947	Spacer sleeve
16	54-4943	Bracket
17	54-4975	Plug-in hose connection
18		Screw
19	54-4944	Connection nipple

Ref.	Part no.	Description
20	54-4937	Trigger
21	54-4909	Air valve
22	71-28	Double nipple (included in scope of delivery as alternative to Pos. 17)

Accessories

19a	54-4725	Material filter, small 100 mesh
19c		Seal (Pack of 5)
		Material filter, large 100 mesh with swivel joint
	71-220-2	H.P. swivel joint with filter housing 1/4" NPS
	7720-01-K3	Disc filter insert fine, 127µ
	7720-02	Disc filter insert coarse, 230µ
	54-4970	Repair kit (Pos. 4,4a,7,8,10,21)
	54-4994	Cleaning kit
	6-428	Gun oil (75 ml)
		Test pressure gauge AA2
		Test pressure gauge AA4

AA4000 (AAA)



Spare parts

Ref.	Part no.	Description
1	54-5345	AA10HP Air Cap/Ring/Guard
1a	20-6784	Fluroelastomer Seal
2	114-0...	Premium tip assembly see table
3	54-4960	Fluid seat (tunsten carbide)
	54-4926	Fluid seat UHMW (optional)
3a	20-6037-K10	O-ring (Pack of 10)
4	54-4906	Fluid tube assembly
5	54-4986	Gun head
6	54-4923	Front head gasket
7	54-5447	Needle packing cartridge
8		Gun body
9	54-4925	Fluid inlet nut
10	54-5328	Side port control assembly
10a	20-6785	Fluroelastomer seal
11	54-4939	Trigger screw
12	54-4938	Trigger stud
13		Flat plug
14	54-4947	Fluid tube bracket spacer
15	54-4943	Fluid tube bracket
16	54-4975	Push in Tube Fitting (included in scope of delivery as alternative to Pos. 22)
17		Button head cap screw
18	54-4944	Fluid inlet fitting

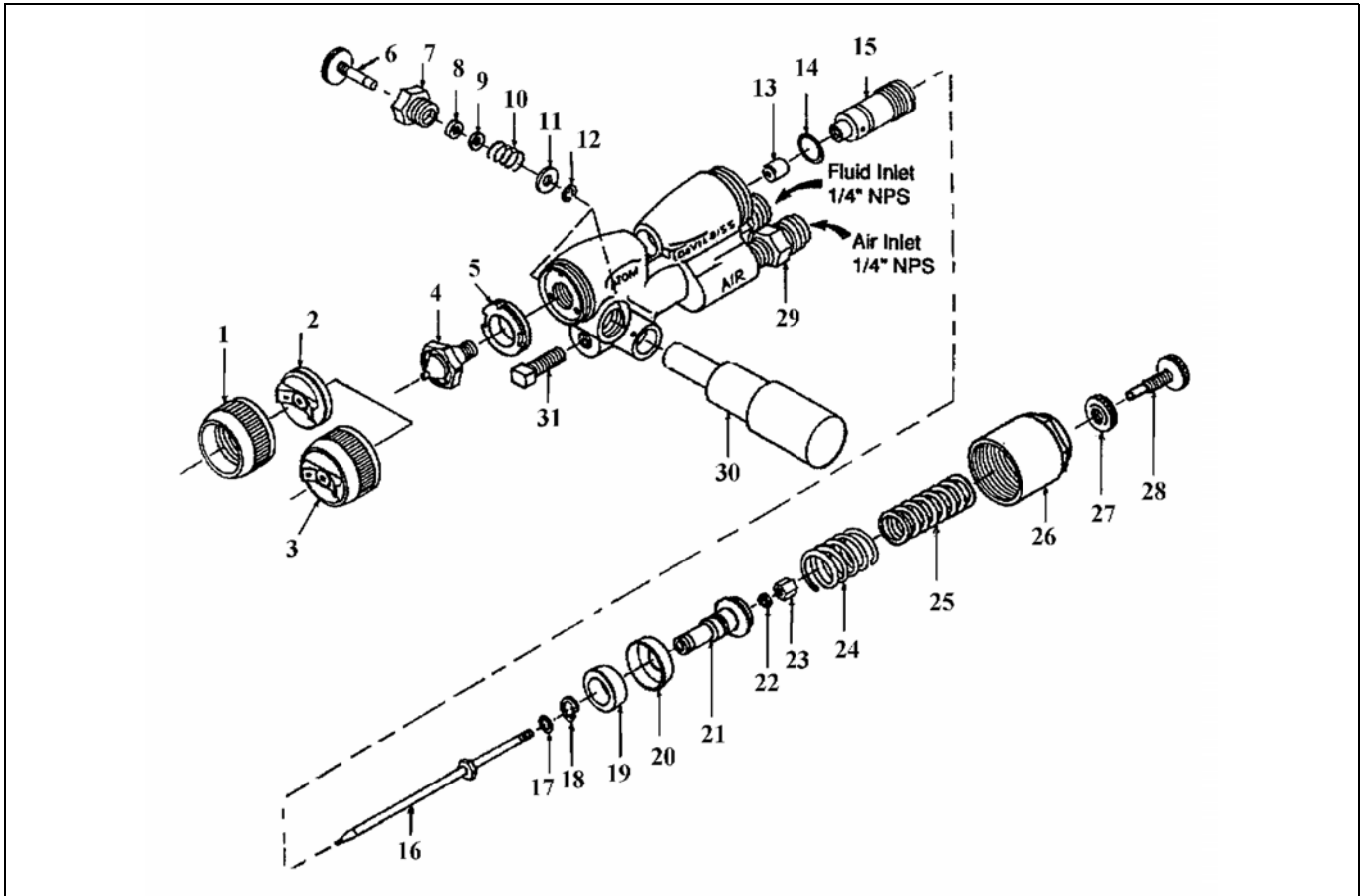
Ref.	Part no.	Description
19	54-4937	Trigger
20	54-4909	Air valve assembly
21	71-28	D.M nipple 1/8" NPT(m) x 1/4" NPS(m)
22	54-4725	Filter assembly 100 mesh
23	54-4910	Trigger lock
24	54-4911	Lock pin
25	54-4912	Safety lock wave spring

Accessories

	Seal (Pack of 5)
	Inline filter housing
71-220-2	H.P. swivel joint with filter housing 1/4" NPS
7720-01-K3	Fluid filter insert fine, 127 μ
7720-02	Fluid filter insert coarse, 230 μ
54-4993	Spare kit (Pos. 4, 4a, 7, 8, 10, 21)
54-4994	Cleaning kit
6-428	Gun oil (75 ml)
	Test pressure gauge AA4
	Test pressure gauge AA2

AGF

(Conventional)

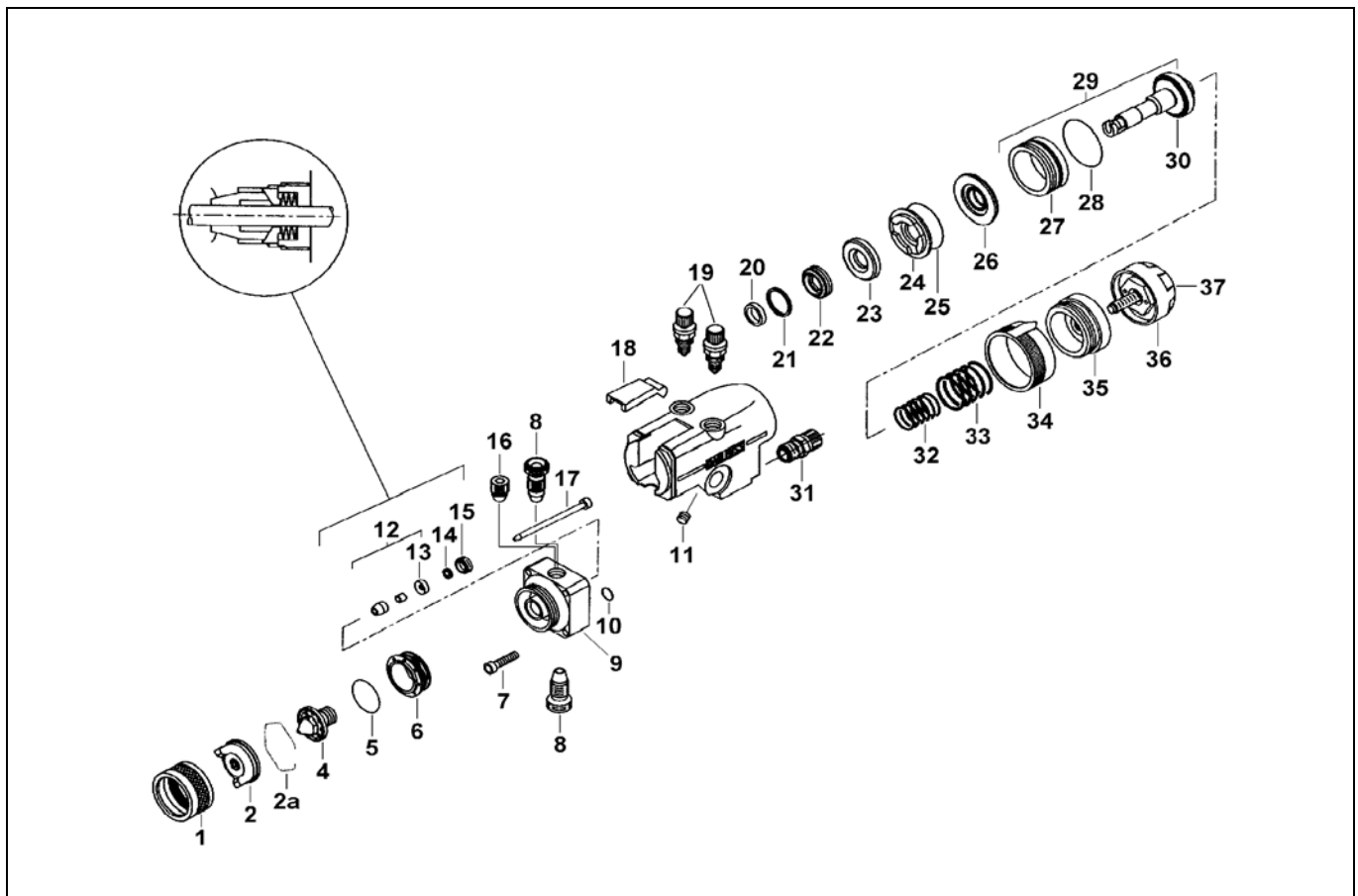


Spare parts

Ref.	Part no.	Description
1	TGA-31	Retaining ring
2	CV-39-90	Air cap
3		Air cap
4	CV-30-E-K	Nozzle 1.8 mm
	CV-30-F-K	Nozzle 1.0 mm
5	AGF-5	Air distributor
	AGF-403	Control valve
6	AGF-7	Valve
7	AGF-8	Air valve body
8	AGF-9	Seal
9	AGF-10	Disc
10	KN-40-K5	Spring (Pack of 5)
11	21172-007-K10	Disc (Pack of 10)
12	25746-007-K5	Retaining ring (Pack of 5)
13	38273-136-K5	Needle packing (Pack of 5)
14	23162-024-K10	O-Ring (Pack of 10)
15	AGF-6	Seal retainer housing

Ref.	Part no.	Description
16	AGF-404-F-K	Needle 1.8 mm
	AGF-404-F-K	Needle 1.0 mm
17	MBC-1 164-K5	O-Ring (Pack of 5)
18	SST-8402	Retaining ring
19		Spacer
20	VA-246	Piston
21		Valve seat
22	21175-093	Disc
23	AGF-15	Nut
24		Spring
25	AGF-32	Spring
26	AGF-31	End cap
27	AGF-35	Lock nut
28		Screw
29	H-1766	Connector 1/4"
30		Attachment bolt
31		Screw

AGG

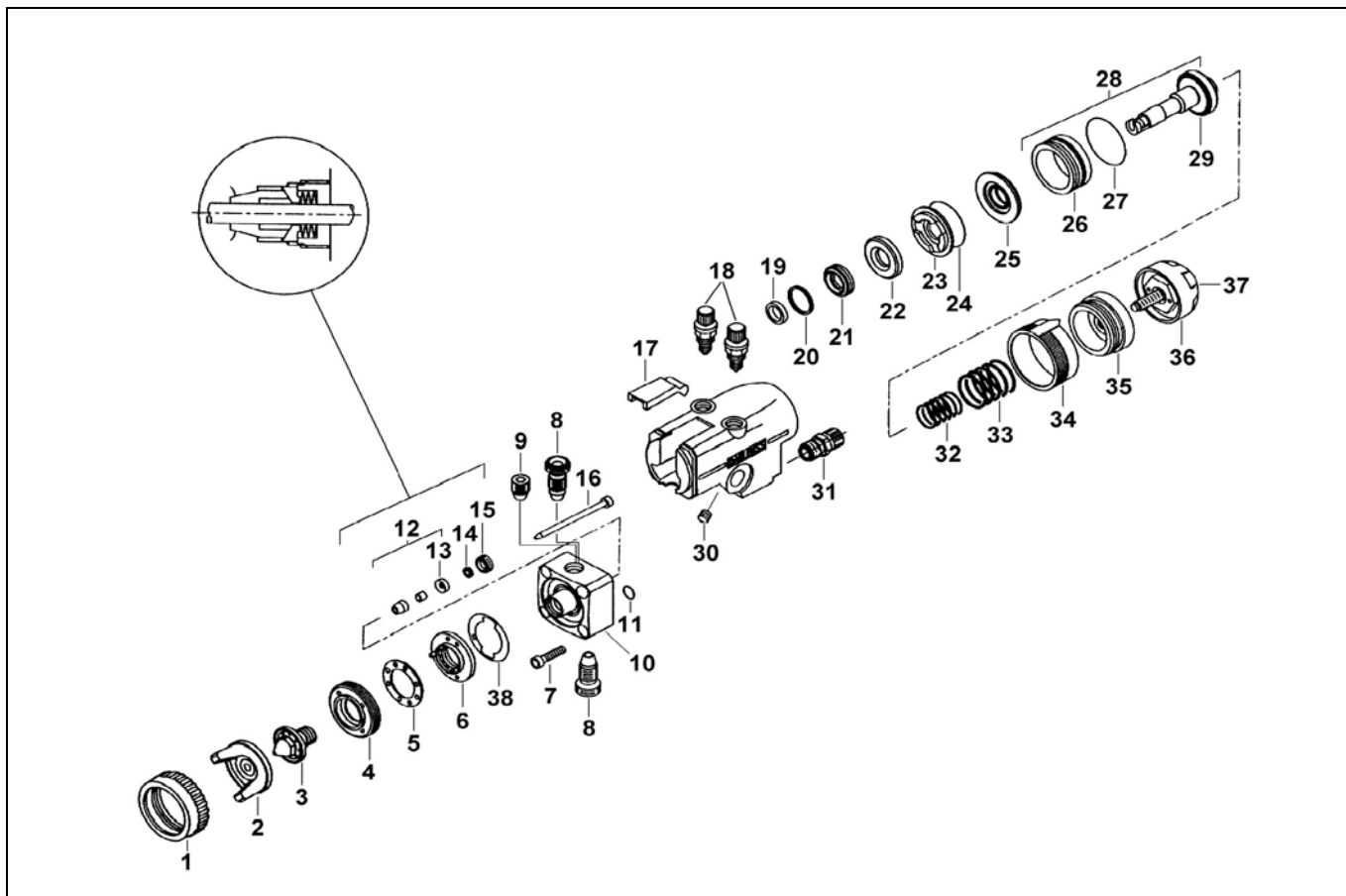


Spare parts

Ref.	Part no.	Description
1	MBC-368	Retaining ring
2	AV-4239-797	Air cap with retaining ring
2a	JGA-156-K5	Spring clip (Pack of 5)
4	AV-645-FF	Nozzle 1.4 mm
	AV-651-FF	Nozzle with plastic insert 1.4 mm
5	AGG-89-K5	Seal (Pack of 5)
6	AGG-63-K	Air distributing ring
7	SSF-3120-K4	Screw (Pack of 4)
8	AGG-58	Material connection 3/8"
9	AGG-435	Spray head
10	SSG-8099-K10	O-ring (Pack of 10)
11	SSF-2048-K5	Screw (Pack of 5)
12	AGG-444	Packing kit
13	AGGS-31	Disc
14	SSN-1023-K6	Spring disc (Pack of 6)
15	AGGS-32-K5	Lock screw (Pack of 5)
16	AGG-59	Plug
17	AGG-420-FF-K	Needle H
18	AGG-33	Cover
19	AGG-403	Control valve
20	SST-7711	Seal
21	AGG-39	Sealing ring
22	AGGS-29	Retaining ring
23	AGG-4	Valve seat

Ref.	Part no.	Description
24	AGG-5	Spacer holder
25	SSG-8102-K5	O-ring (Pack of 5)
26	AGG-415-K	Spacer holder
27	AGG-8	Insert
28	SSG-8083-K5	O-ring (Pack of 5)
29	AGG-410	Piston, compl.
30	SST-7713	Piston seal
31	MSG-21	Air inlet nipple 1/4"
32	AGG-35-1	Spring
33	AGG-12-1	Spring
34	AGG-36	Ring
35	AGG-9	Cap
36	AGG-402-1	Adjusting knob
37	SSF-2047	Screw

AGGS

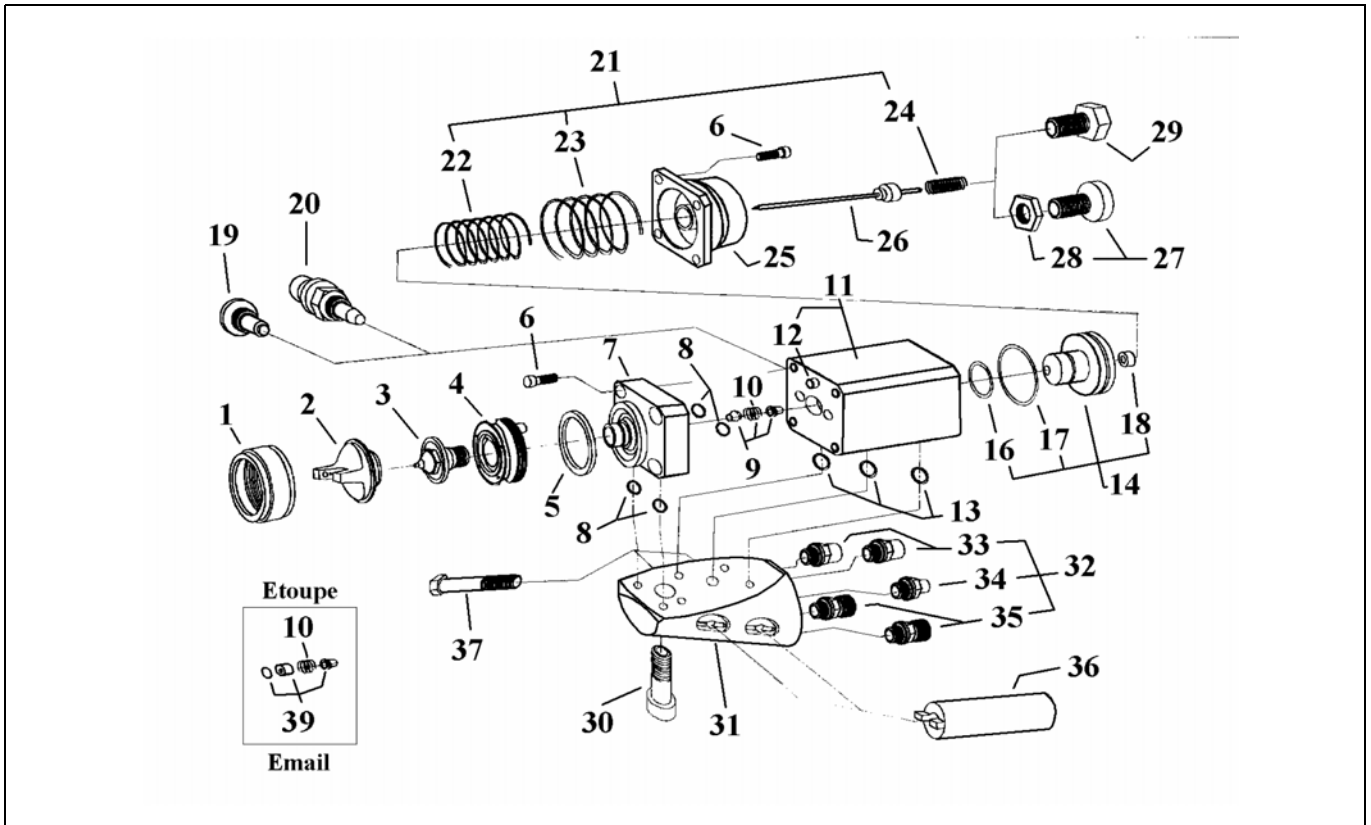


Spare parts

Ref.	Part no.	Description
1	JGHV-24	Retaining ring
2		Air cap
3	JGHV-73-FF-K	Nozzle 1.4 mm
	JGHV-473-FF-K	Nozzle with plastic insert 1.4 mm
4	JGHV-69	Front air distributing ring
5	AGG-88-K2	Seal (Pack of 2)
6	AGGS-434-K	Rear air distributing ring
7	SSF-3120-K4	Screw (Pack of 4)
8	AGG-58	Material connection 3/8"
9	AGG-59	Plug
10	AGGS-419	Spray head
11	SSG-8099-K10	O-ring (Pack of 10)
12	AGG-444	Packing kit
13	AGGS-31	Disc
14	SSN-1023-K6	Spring disc (Pack of 6)
15	AGGS-32-K5	Packing screw (Pack of 5)
16	AGGS-420-FF-K	Needle
17	AGG-33	Cover
18	AGG-403	Valve
19	SST-7711	Seal
20	AGG-39	Sealing ring
21	AGGS-29	Retaining ring
22	AGG-4	Valve seat

Ref.	Part no.	Description
23	AGG-5	Spacer
24	SSG-8102-K5	O-ring (Pack of 5)
25	AGG-415-K	Spacer holder
26	AGG-8	Cylinder insert
27	SSG-8083-K5	O-ring (Pack of 5)
28	AGG-410	Piston, compl.
29	SST-7713	Piston collar
30	SSF-2048-K5	Screw (Pack of 5)
31	MSG-21	Air inlet nipple 1/4"
32	AGG-35-1	Spring
33	AGG-12-1	Spring
34	AGG-36	Adjusting ring
35	AGG-9	Cap
36	AGG-402-1	Adjusting knob
37	SSF-2047	Screw
38	AGGS-37-K5	Seal (Pack of 5)

AGP

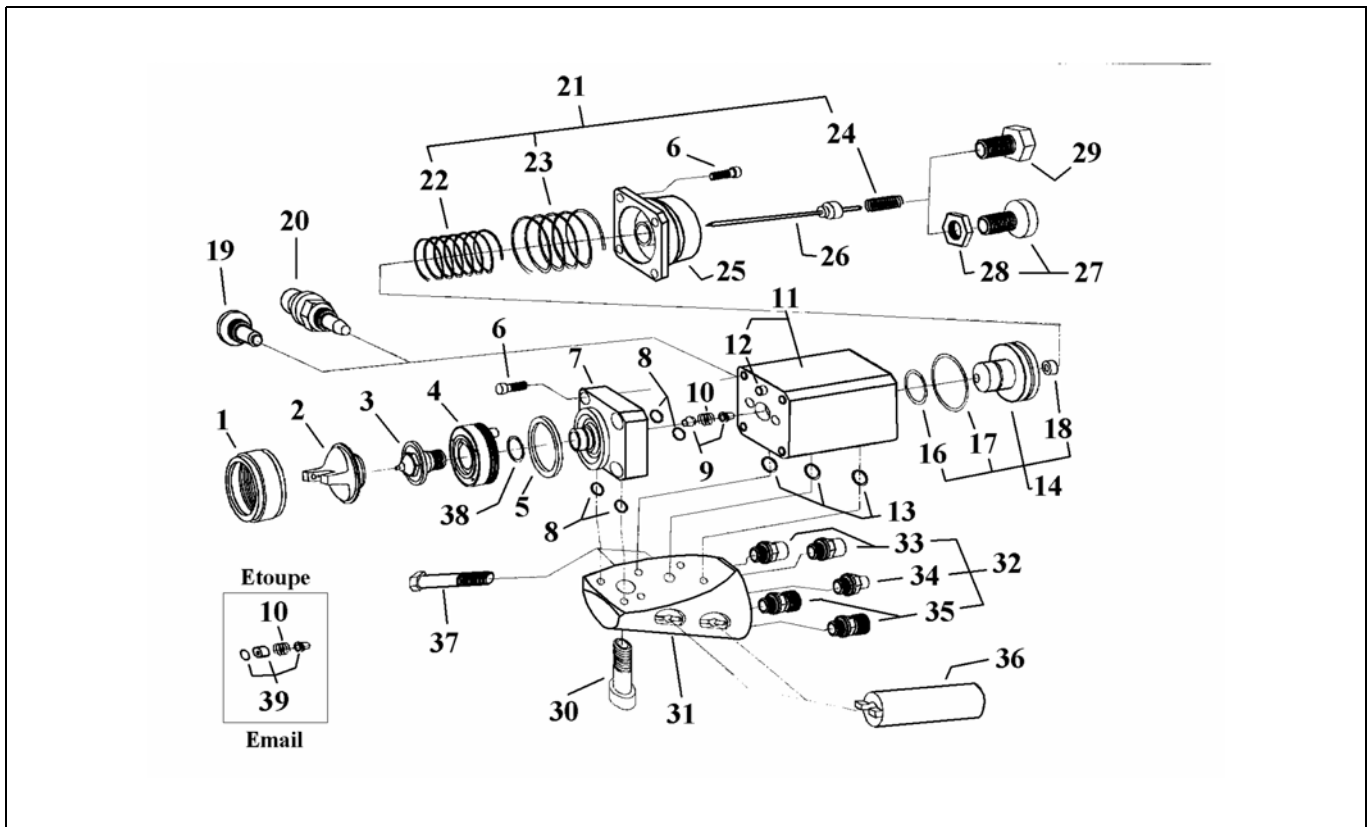


Spare parts

Ref.	Part no.	Description
1	MBC-368	Retaining ring, brass-plated
		Retaining ring, anodised aluminium
2	Table	Air cap
3	Table	Nozzle
4	GTI-425	Air distributor, aluminium
	JGD-402-1IND	Air distributor, aluminium, for air cap indexing
	GTI-425	Air distributor, brass, for enamel
	JGD-402-IND	Air distributor, brass, for enamel, for index.
5	JGD-14-K5	Seal (Pack of 5)
6	SSF-3156-K8	Screw (Pack of 8)
7	AGP-110	Standard spray head
	AGP-110-R	Spray head with recirculation
	AGP-110-E	Spray head for enamel
		Spray head for enamel with recirculation
8	SSG-8190-K5	Seal, PTFE (Pack of 5)
9	AGX-7-K2	Packing kit (4x packs, 2x springs)
10		Packing spring (in kit AGX-7-K2)
11		Gun assembly (including Pos. 12)
12		Pin
13	SSG8174VI-K15	O-ring, Viton (Pack of 15)
14	AGX-9K	Piston compl. (including Pos. 16/17/18)
15	KK-4690	Piston maintenance kit
16		O-ring, small, for piston
17	Kit KK-4690	O-ring, large, for piston

Ref.	Part no.	Description
18		Packing
19	AGP-111	Plug
20	AGG-403	Air valve
21	KK-4993	Spring kit (including Pos. 22/23/24)
24	AGP-122	Needle spring for enamel (high-pressure)
25	AGP- 1 16	End plate
26	Table	Needle
27	AGX-2-K	Needle adjusting screw (including Pos. 28)
28	34215-122	Nut
29		Needle plug
30	AGP- 1 14	Screw
31		Connection plate, aluminium
32	KK-4691	Connecting pieces, kit, for material and air
33		Air connecting piece
34	Kit KK-4691	Connecting piece for air drive
35		Material connecting piece
36	AGX-3K	Attachment kit (including Pos. 37)
37		Screw
39	AGP-406	Packing kit, enamel

AGPV

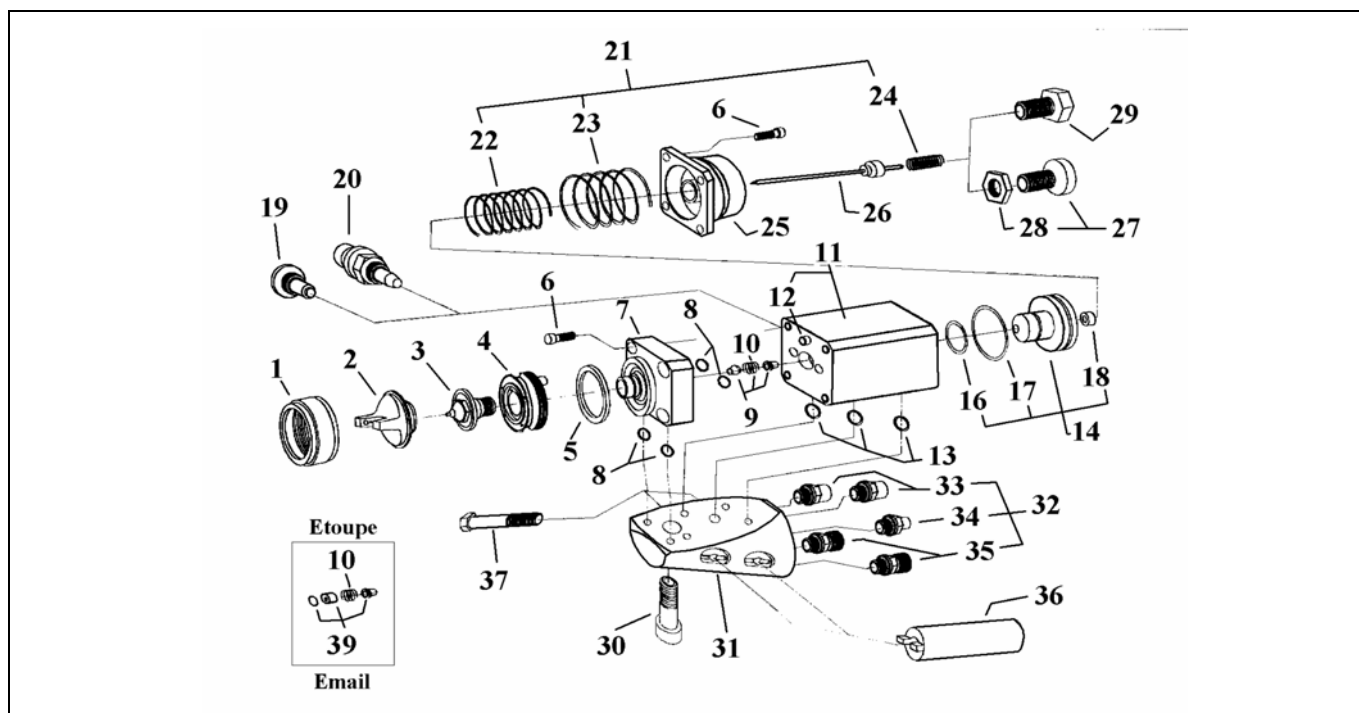


Spare parts

Ref.	Part no.	Description
1	MBC-368	Retaining ring, brass-plated Retaining ring, anodised aluminium
2	Table	Air cap
3	Table	Nozzle
4	JGHV 450-46-50	Air distributing ring for air cap 46
		Air distributing ring for air cap 28
		Air distributing ring for air cap 99
5	JGD-14-K5	Seal (Pack of 5)
6	SSF-3156-K8	Screw (Pack of 8)
7		Standard spray head Spray head with recirculation Spray head for enamel Spray head for enamel with recirculation
8	SSG-8190-K5	Seal, PTFE (Pack of 5)
9	AGX-7-K2	Packing kit (4x packs, 2x springs)
10		Packing spring (in kit AGX-7-K2)
11		Gun assembly (including Pos. 12)
12		Pin
13	SSG8174VI-K15	O-ring, Viton (Pack of 15)
14	AGX-9K	Piston compl. (including Pos. 16/17/18)
15	KK-4690	Piston maintenance kit
16		O-ring, small, for piston
17	Kit KK-4690	O-ring, large, for piston

Ref.	Part no.	Description
18		Packing
19	AGP-111	Plug
20	AGG-403	Air valve
21	KK-4993	Spring kit (including Pos. 22/23/24)
24	AGP-122	Needle spring for enamel (high-pressure)
25	AGP-1 16	End plate
26	Table	Needle
27	AGX-2-K	Needle adjusting screw (kit including Pos. 28)
28	34215-122	Nut
29		Needle plug
30	AGP-1 14	Screw
31		Connection plate, aluminium
32	KK-4691	Connecting pieces, kit, for material and air
33		Air connecting piece
34	Kit KK-4691	Connecting piece for air drive
35		Material connecting piece
36	AGX-3K	Attachment kit (including Pos. 37)
37		Screw
38	SSG-8182-F-K2	O-ring (Pack of 2)
39	AGP-406	Packing kit, enamel

AGT

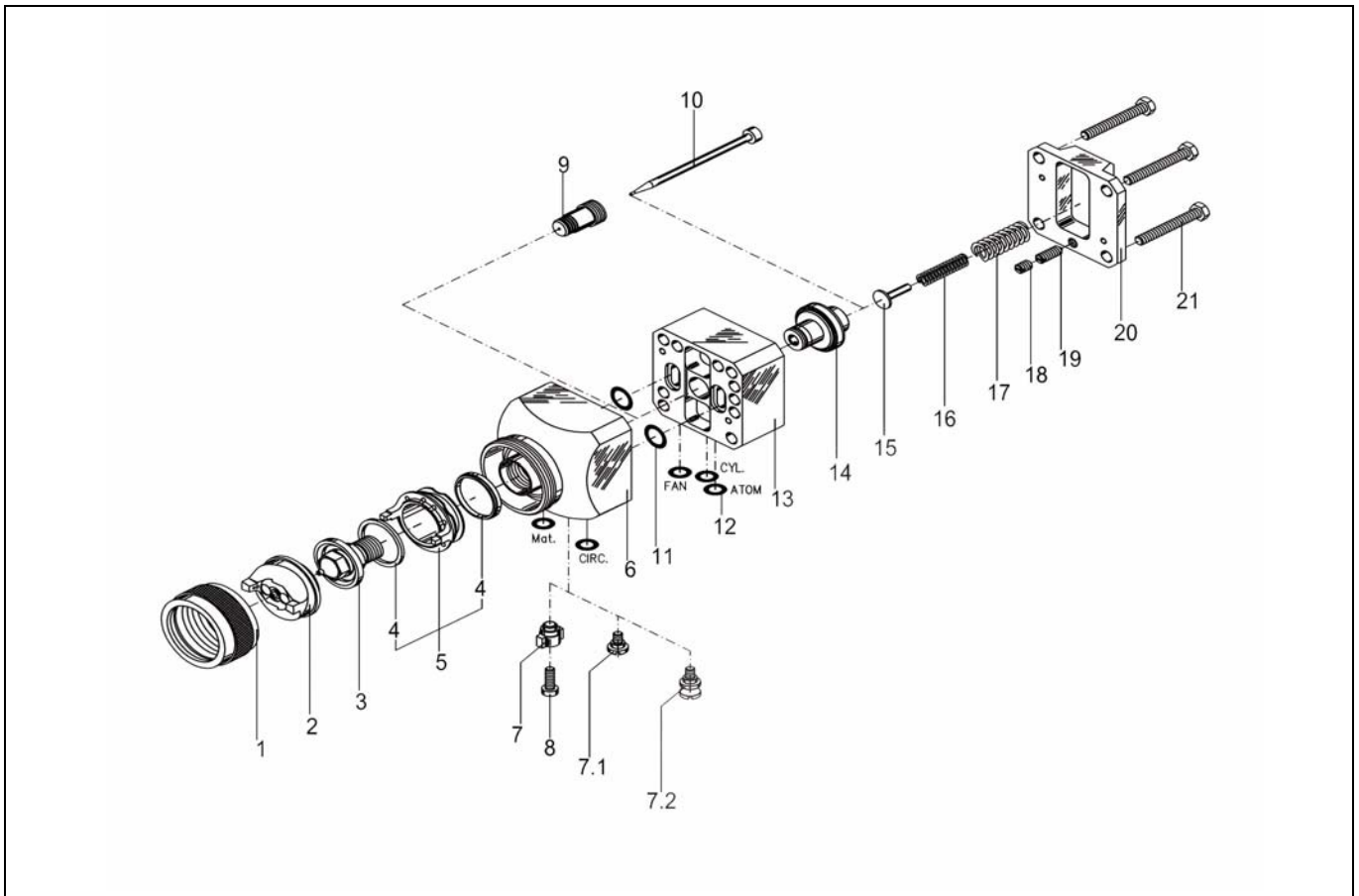


Spare parts

Pos.	Part no.	Description
1	MBC-368	Retaining ring, brass-plated
		Retaining ring, anodised aluminium
2	GTI 1-122	Air cap
	AV1239-4UZ	
3	GTI 213-0,85C	Nozzle
	GTI 213-1.0C	
	GTI 213-1.1C	
	GTI 213-1.2C	
	GTI 213-1.4C	
	GTI 214-1.6C	
4		Air distributor
5	JGD-14-K5	Seal (Pack of 5)
6	SSF-3156-K8	Screw (Pack of 8)
7	AGP-110	Standard spray head
	AGP-110-R	Spray head with recirculation
	AGP-110-E	Spray head for enamel Spray head for enamel with recirculation
8	SSG-8190-K5	Seal, PTFE (Pack of 5)
9	AGX-7-K2	Packing kit (4x packs, 2x springs)
10		Packing spring (in kit AGX-7-K2)
11		Gun assembly (including Pos. 12)
12		Pin
13	SSG8174VI-K15	O-ring, Viton (Pack of 15)
14	AGX-9K	Piston compl. (including Pos. 16/17/18)
15	KK-4690	Piston maintenance kit
16		O-ring, small, for piston

Pos.	Part no.	Description
17	Kit KK-4690	O-ring, large, for piston
18		Packing
19	AGP-111	Plug
20	AGG-403	Air valve
21	KK-4993	Spring kit (including Pos. 22/23/24)
24	AGP-122	Needle spring for enamel (high-pressure)
25	AGP-116 T	End plate
26	AGT402DEEE	Needle, stainless steel, treated
	AGT402-0.85	Needle, stainless steel, treated for nozzle 0.85
	AGX 413D	Needle, stainless steel, for nozzle 1.6
27	AGX-2-K	Needle adjusting screw (kit including Pos. 28)
28	34215-122	Nut
29		Needle plug
30	AGP-114	Screw
31		Connection plate, aluminium
32	KK-4691	Connecting pieces, kit, for material and air
33		Air connecting piece
34	Kit KK-4691	Connecting piece for air drive
35		Material connecting piece
36	AGX-3K	Attachment kit (including Pos. 37)
37		Screw
39	AGP-406	Packing kit, enamel

AGMD



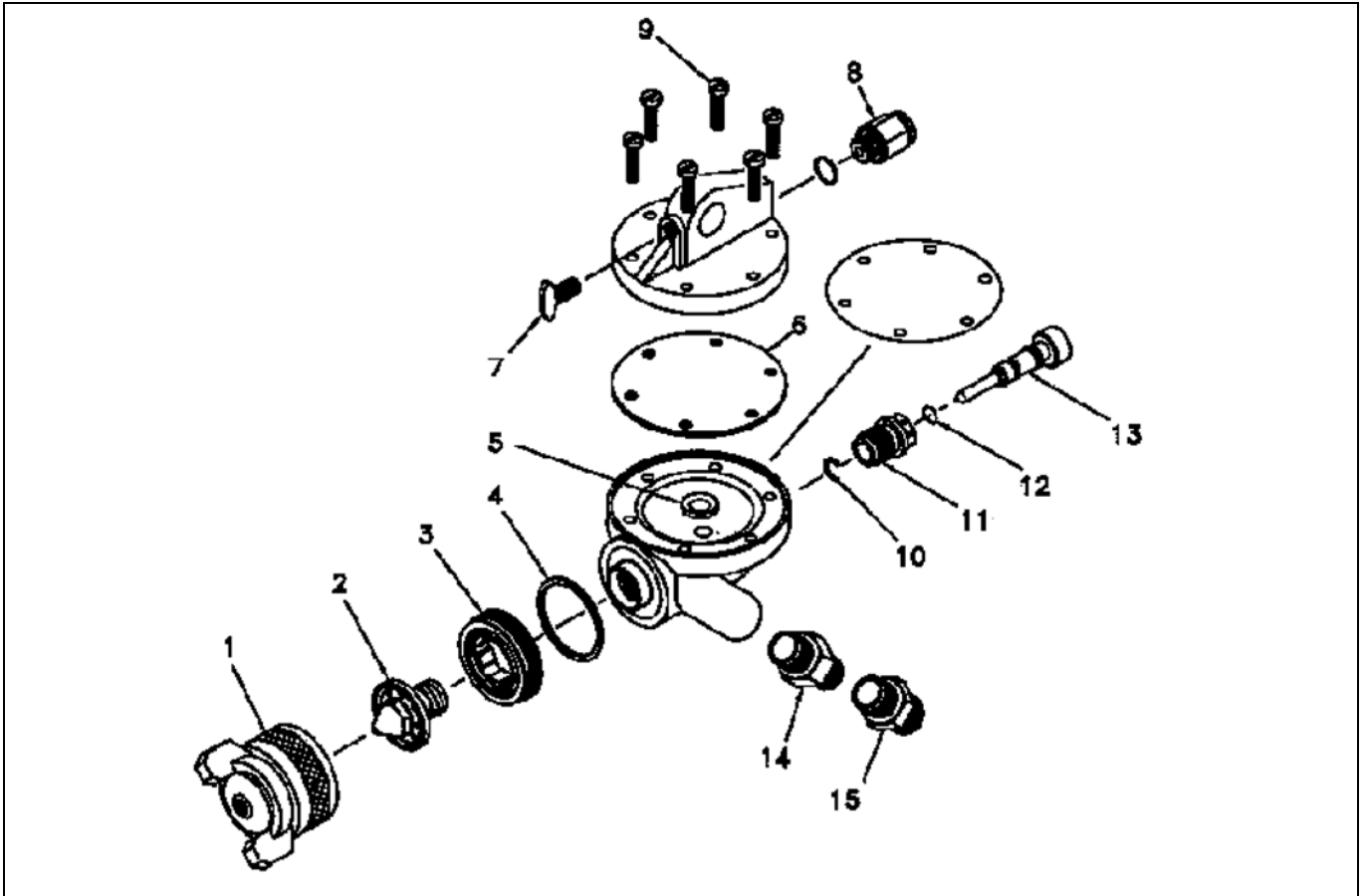
Spare parts

Ref.	Part no.	Description
1	MBC-368-K	Retaining ring
	AGMD-368	Special retaining ring with sealing
2	AGMD-XXX	Air cap, see table
3	AV-XXXX-XX	Nozzle, see table
4	AGMD-65-1	Gasket
5	AGMD-34	Air distributing ring with lock
6	AGMD-195	Spray head
	AGMD-195-U	Head for circulation
7	AGMD-244	Locking device
7.1	AGMD-044-3	Centring screw
7.2		Locking device for support plate AGMD-245-8 (option)
8	AGMD-130	Fillister head screw for AGMD-244
9	AGMD-405-1	Needle set
10	AGMD-420-XX	Needle, see table

Ref.	Part no.	Description
11	SS-2393-D	O-ring
12	AGMD-93-K5	O-ring (pack of 5)
13	AGMD-217	Head holder
14	AGMD-243-1-K	Piston
15	AGMD-219	Spring pin
16	AGMD-110	Compression spring
17	AGMD-111	Compression spring
18	AGMD-116	Set screw with slot
19	AGMD-115	Spring pad
20	AGMD-242-K	End plate
21	AGMD-131	Hex. screw

AGN

(Conventional)



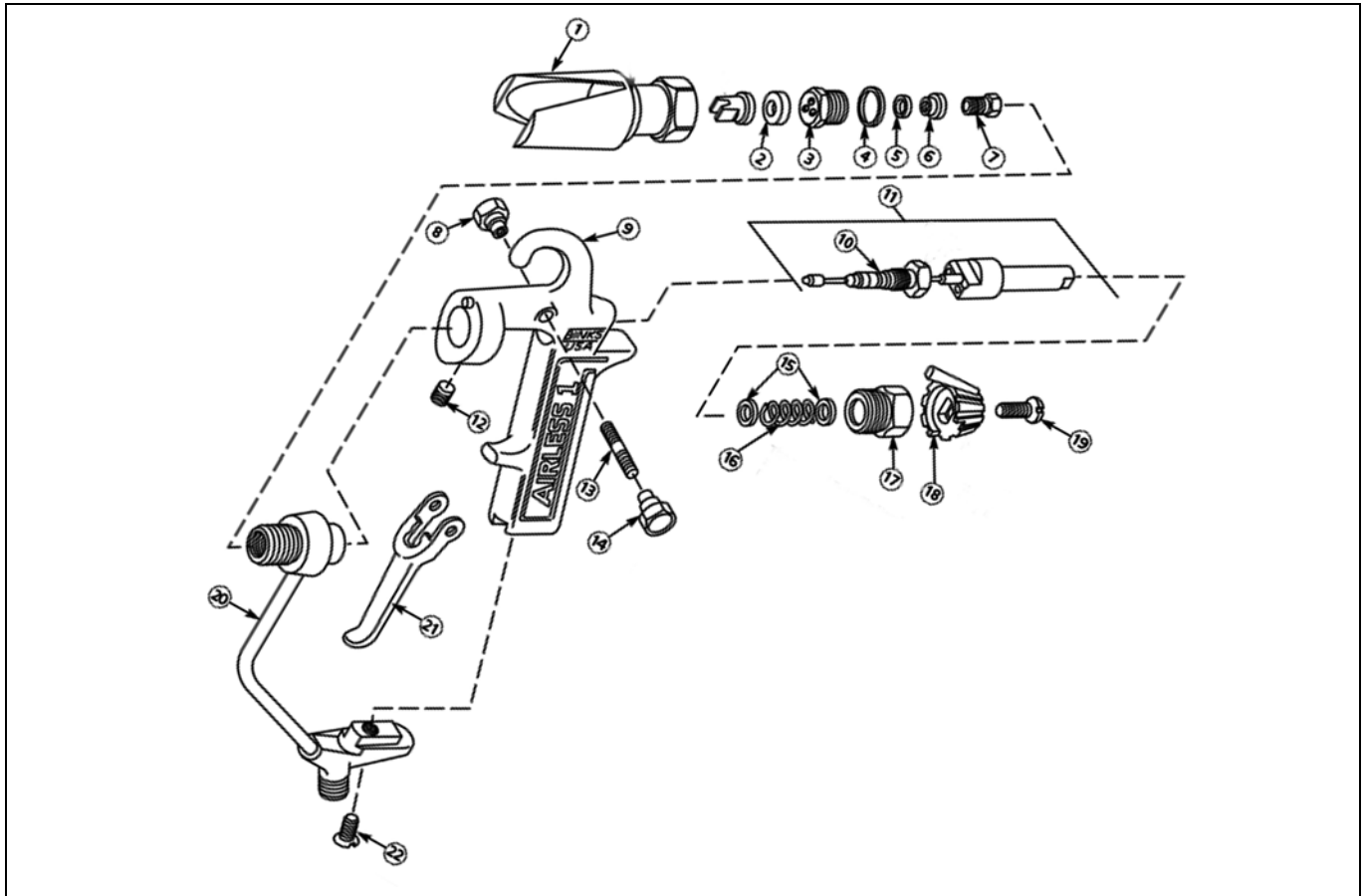
Spare parts

Ref.	Part no.	Description
1	Table 1	Air cap
2	Table 2	Nozzle
3	GTI-25-K	Baffle and seal
4	GTI-33-K5	Baffle seals(pack of 5)
5	AGN-18	Seat
6	AGN-7	Diaphragm
7	SSF-5711-ZN	Thumb screw
8		Tube connector 6 mm

Ref.	Part no.	Description
9	SSF-4272	Slotted head screw
10	SST-8434-K5	Retaining ring
11		Body
12	SSG-8069-K5	O-ring
13	AGN-498	Spreader valve.
14	H-2008	Connector 1/4"
15	H-1580	Connector 3/8"

Airless 1

(Airless)



Spare parts

Ref.	Part no.	Description
1	54-3085	Tip guard assembly
2	54-2229-5	Gasket
3		Diffuser nut
4		Washer
5		Nylon washer (pack of 5)
6	54-3479	Seat
7	54-3481	Screw
8	54-3460	Trigger nut
9		Gun body assembly
10	54-2949	Gland set
11	54-3488	Airless 1 cartridge assembly
12	20-5865	Screw
13	54-3461	Stud
14	54-3460	Trigger nut
15	54-3465	Washer
16	54-2961	Spring
17	54-3466	Guide
18	54-3467	Safety lock
19	20-4965	Screw

Ref.	Part no.	Description
20	54-3454	Material body, compl.
21	54-3458	2 finger trigger
22		Screw

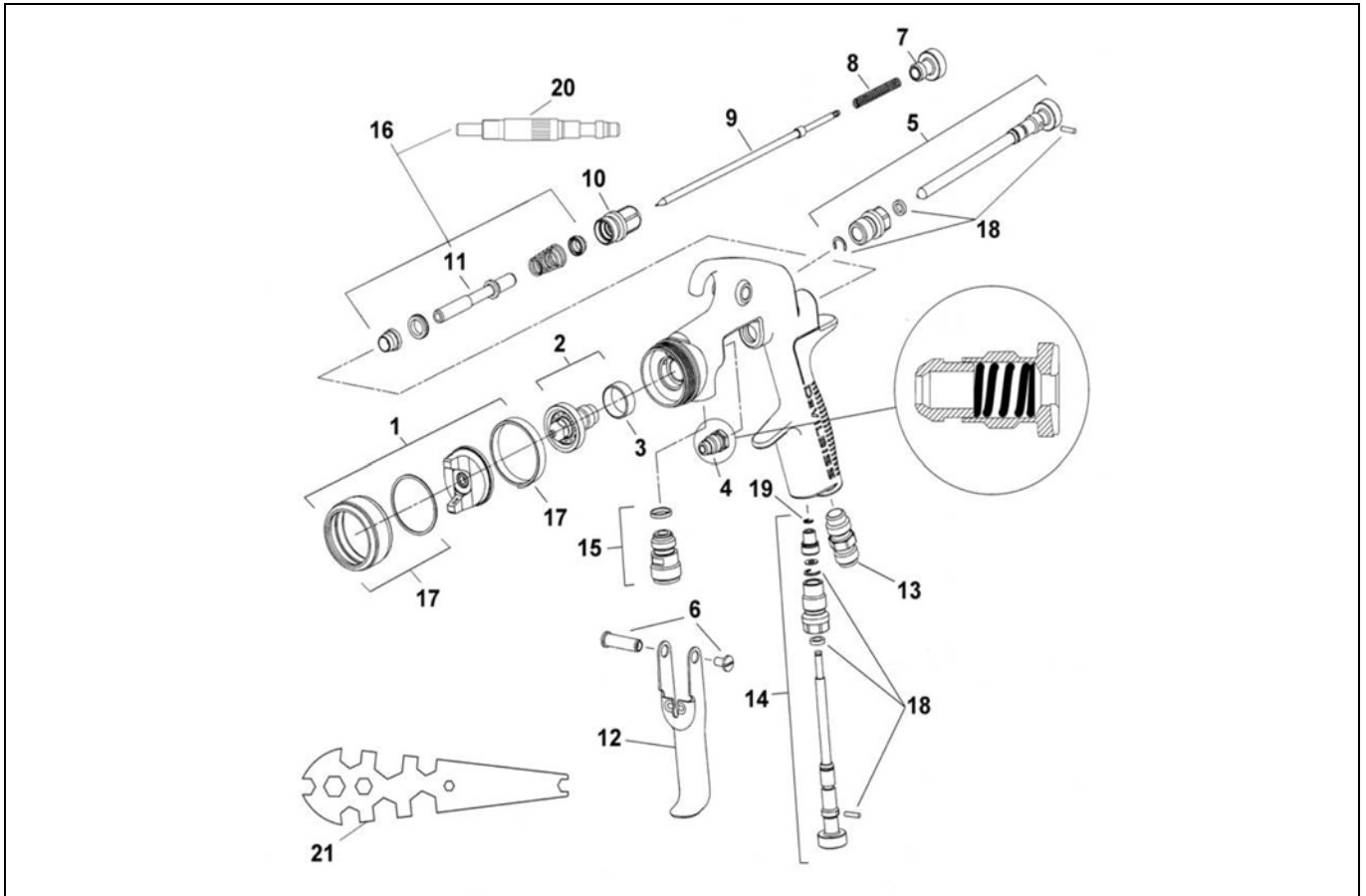
Accessories

454-3	Tip base
6-236	Repair kit
ZZ-7020	Swivel joint
54-2378	Filter
54-1835	Filter 100 mesh
54-1836	Filter 60 mesh
72-2339	Connection for material circulation
	Extension 23 cm*
88-264	Reversing switch
JAC-90-D	Cleaning needles (1Pack of 2)

* other lengths available on request

COMPACT pressure spray gun

(Conventional, HVLP or Trans-Tech)



Spare parts

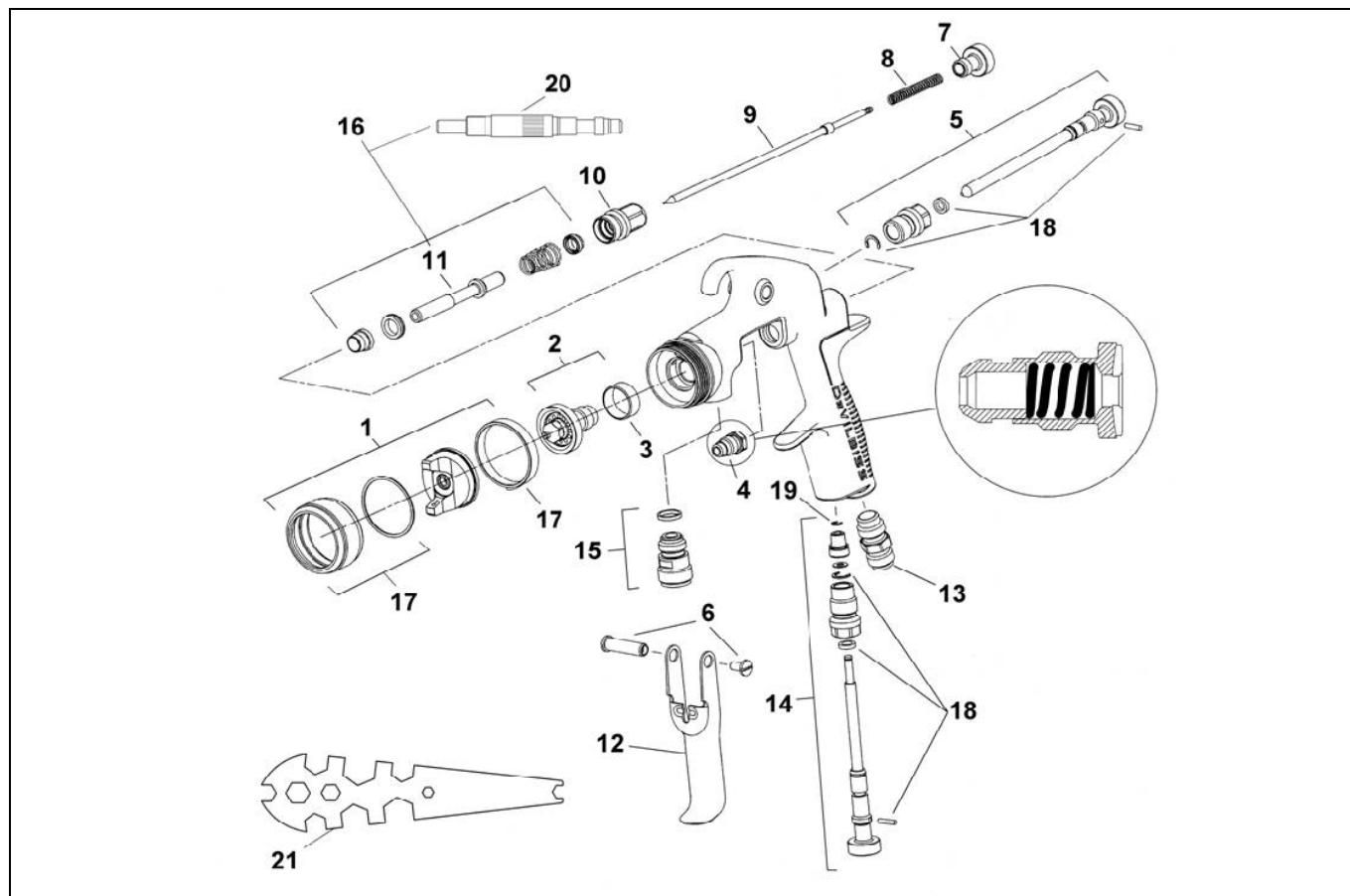
Ref.	Part no.	Description
1	SP-100-...-K	Air cap see table
2*	SP-200S-...-K	Nozzle see table
3*	SP-623-K5	Separator (Pack of 5)
4*	GTI-445-K2	Needle packing (Pack of 2)
5	SP-401-K	Spreader valve
6	GTI-408-K5	Trigger stud with screw (Pack of 5)
7	SP-614-K	Needle adjusting screw
8*	SP-622-K5	Spring (Pack of 5)
9*	SP-300S-...-K	Needle see table
10	SP-612-K	Air valve housing with seal
11*		Spindle
12	SP-617-K	Trigger
13	SP-611-K	Connector
14	SP-402-K	Air flow valve
15	SP-610-K	Fluid inlet and seal 3/8"
16*	SPK-101-K	Air valve service kit

Ref.	Part no.	Description
17	SPK-102-K	Retaining ring assembly
18*	GTI-428-K5	Spreader/cheater service kit (Pack of 5)
19	25746-007-K5	Retaining ring (Pack of 5)
20*		Assembly tool for air valve
21	SPN-5	Gun spanner

Parts marked with + are contained in the service kit SPK-401-.. and parts marked * are contained in the service kit SPK-402-K

COMPACT V pressure spray gun

(Conventional, HVLP or Trans-Tech)



Spare parts

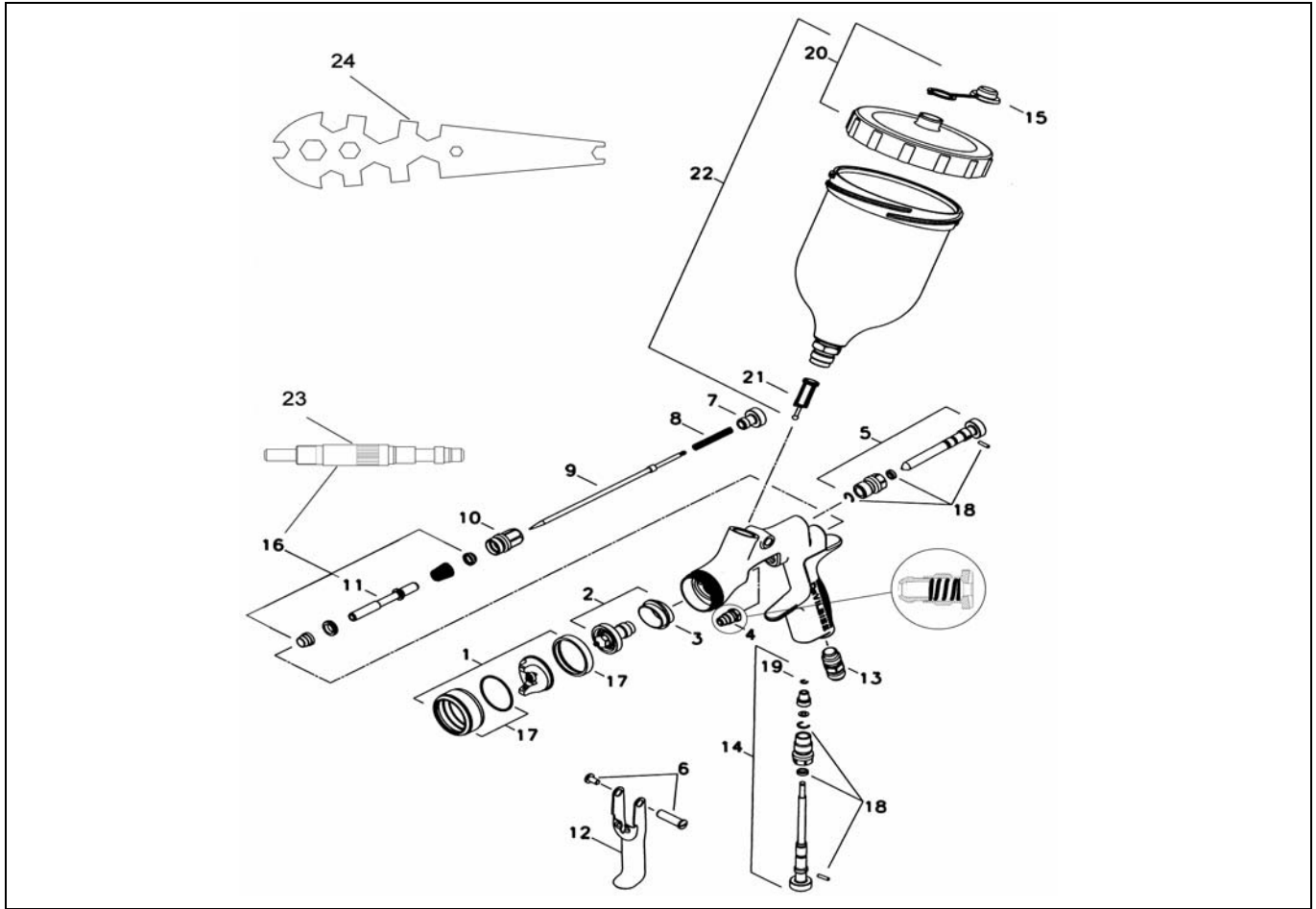
Ref.	Part no.	Description
1	SP-100-...-K	Air cap see table
	SP-200S-...-K	Nozzle see table
	SP-200N-...-K	Hardened nozzle, see table
2+	SP-247S-...-K	Nozzle for air cap 470 see table
	SP-247N-...-K	Nozzle hardened for air cap 470 see table
	SP-259S-...-K	Nozzle for air cap 590 see table
3+*	SP-623-K5	Separator (Pack of 5)
4+*	GTI-445-K2	Needle packing (Pack of 2)
5	SP-401-K	Spreader valve
6	GTI-408-K5	Stud and screw (Pack of 5)
7	SP-614-K	Needle adjusting screw
8+*	SP-622-K5	Spring (Pack of 5)
	SP-300S-...-K	Needle see table
9+	SP-300P-...-K	Needle with plastic tip see table
	SP-300N-...-K	Needle, hardened see table
10	SP-612-K	Air valve housing and seal
11+*		Spindle
12	SP-617-K	Trigger
13	SP-611-K	Connector
14	SP-402-K	Air flow valve
15	SP-636-K	Fluid inlet connector and seal

Ref.	Part no.	Description
16+	SPK-101-K	Air valve service kit
17	SPK-102-K	Retaining ring and seals
18+*	GTI-428-K5	Spreader/cheater service kit (Pack of 5)
19	25746-007-K5	Circlip (Pack of 5)
20+		Air valve assembly tool
21	SPN-5	Gun spanner

Parts marked with + are contained in the service kit SPK-401-.. (standard nozzle and needle only) and parts marked * are contained in the service kit SPK-402-K

COMPACT gravity spray gun

(Conventional, HVLP or Trans-Tech)



Spare parts

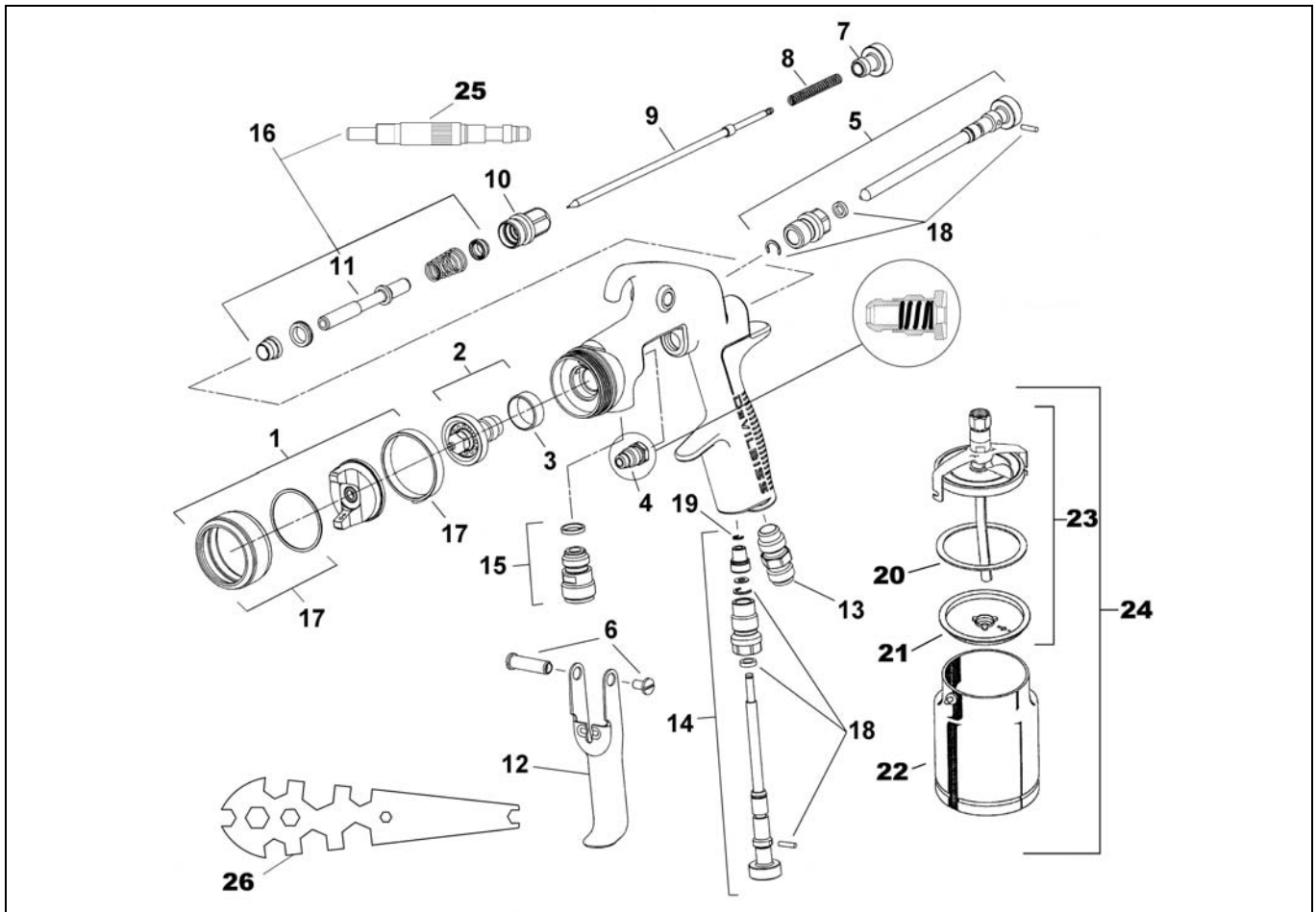
Ref.	Part no.	Description
1	SP-100-...-K	Air cap see table
2 ⁺	SP-200S-...-K	Nozzle see table
3 ⁺	SP-626-K5	Separator (Pack of 5)
4 ⁺	GTI-445-K2	Needle packing (Pack of 2)
5	SP-403-K	Spreader valve
6	GTI-408-K5	Trigger stud with screw (Pack of 5)
7	SP-614-K	Needle adjusting screw
8 ⁺	SP-622-K5	Needle spring (Pack of 5)
9 ⁺	SP-300S-...-K	Needle see table
10	SP-612-K	Air valve housing with seal
11 ⁺		Spindle
12	SP-617-K	Trigger
13	SP-611-K	Connector
14	SP-402-K	Air flow valve
15	GFC-2-K5	Drip check lid (Pack of 5)
16 ⁺	SPK-101-K	Service kit for air valve
17	SPK-102-K	Retaining ring with seals

Ref.	Part no.	Description
18 ⁺	GTI-428-K5	Spreader/cheater service kit (Pack of 5)
19	25746-007-K5	Circlip (Pack of 5)
20	GFC-402	Cup lid
21	KGP-5-K5	Fine filter (Pack of 5)
22	GFC-501	Gravity cup, 0.6 l compl.
23 ⁺		Air valve assembly tool
24	SPN-5	Gun spanner

Parts marked with + are contained in the service kit SPK-401-.. and parts marked * are contained in the service kit SPK-402-K

COMPACT suction spray gun

(Conventional, HVLP or Trans-Tech)



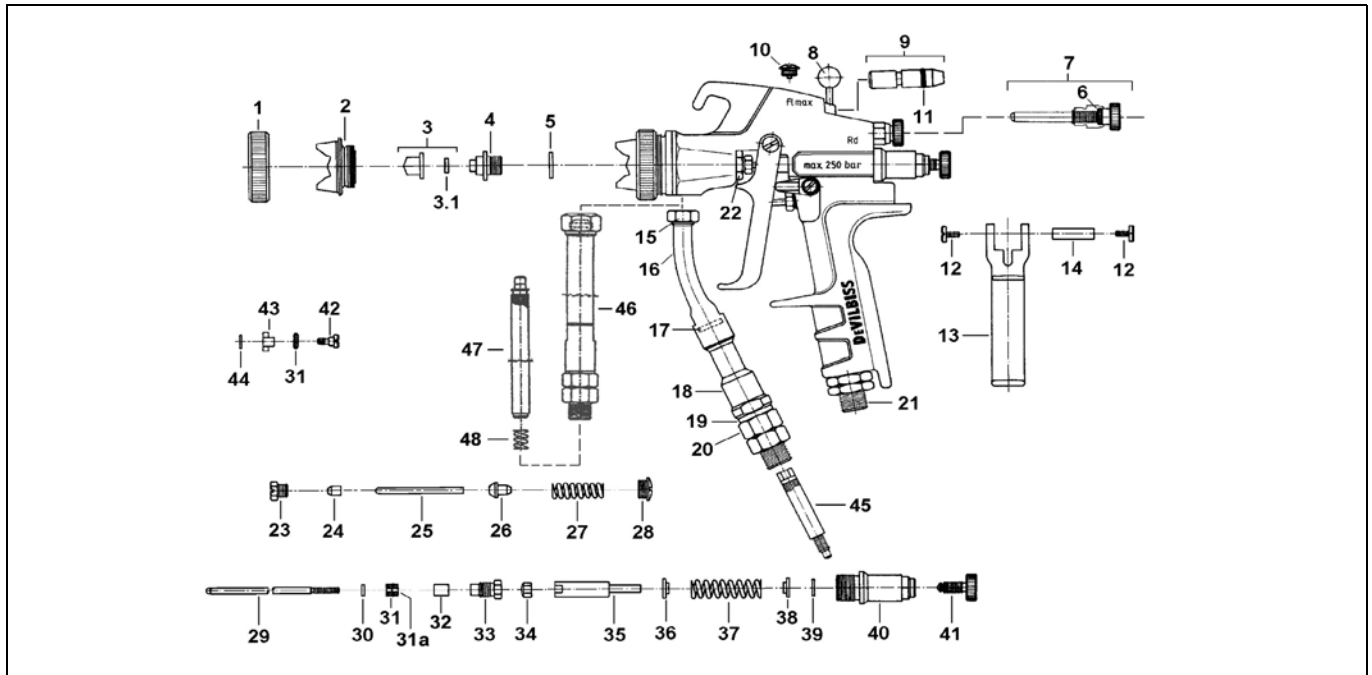
Individual parts

Ref.	Part no.	Description
1	SP-100-...-K	Air cap see table
2 ⁺	SP-200S-...-K	Nozzle see table
3 ⁺	SP-623-K5	Separator (Pack of 5)
4 ⁺	GTI-445-K2	Packing (Pack of 2)
5	SP-401-K	Spreader valve
6	GTI-408-K5	Trigger stud and screw (Pack of 5)
7	SP-614-K	Needle adjusting screw
8 ⁺	SP-622-K5	Needle spring
9 ⁺	SP-300S-...-K	Needle see table
10	SP-612-K	Air valve housing and seal
11 ⁺		Spindle
12	SP-617-K	Trigger
13	SP-611-K	Connector
14	SP-402-K	Air flow valve
15	SP-610-K	Fluid inlet connector and seal
16 ⁺	SPK-101-K	Air valve service kit
17	SPK-102-K	Retaining ring with seals
18 ⁺	GTI-428-K5	Seal, pin and circlip (Pack of 5)
19	25746-007-K5	Circlip (Pack of 5)
20	KR-11-K3	Lid gasket(Pack of 3)

Ref.	Part no.	Description
21	KR-115-K5	Drip free diaphragm(Pack of 5)
22	KR-466-K	Cup
	KRW-401-K	Cup - blue anodised
23	KR-4001-B	Cup lid assembly
24	KR-566-1-B	Cup complete with lid
	KRW-502-B	Cup complete with lid - blue anodised
25 ⁺		Air valve assembly tool
26	SPN-5	Gun spanner

Parts marked with + are contained in the service kit SPK-401-.. and parts marked * are contained in the service kit SPK-402-K

DSG-2000



Spare parts

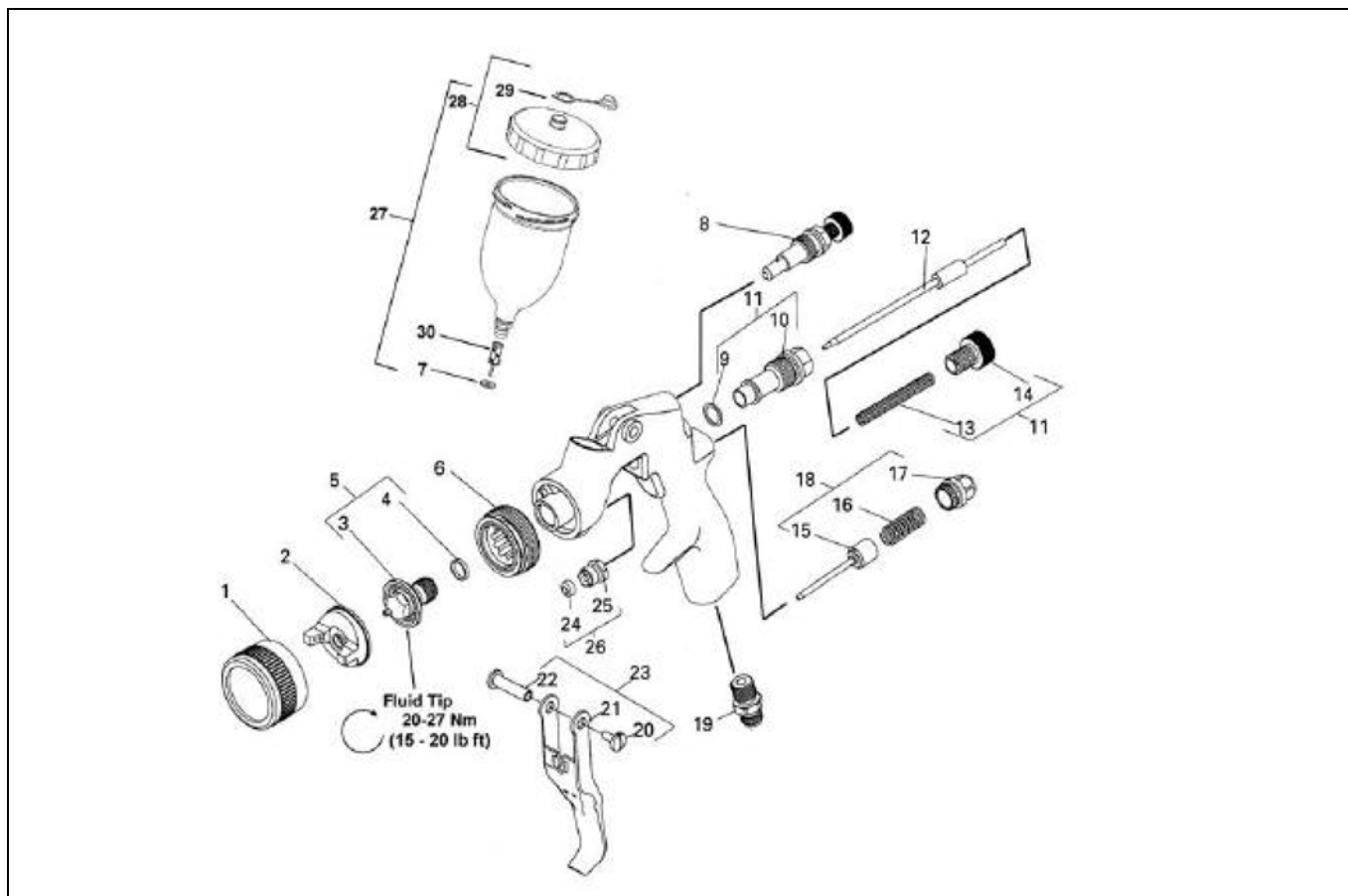
Ref.	Part no.	Description
1	DSG-1	Retaining ring
2	DSG-401	Air cap
3	DSG-402-433	Nozzle (standard)
3.1	DSG-39-K5	Seal (Pack of 5)
4	DSG-2	Packing screw
5	DSG-3	Gasket
6	DSG-37	O-ring
7	DSG-403	Air valve, compl.
8		Lever
9		Air regulator
10	DSG-4	Locking screw
11	DSG-6	O-ring
12	DSG-7	Screw
13	DSG-8	Trigger, compl.
14	DSG-9	Axle
15		Nut
16		Upper paint tube
17	DSG-12	Seal
18		Lower paint tube
19	DSG-14	Gasket
20	DSG-406	Rotary material connection
21	DSG-407	Rotary air connection
22		Nut
23	DSG-15	Air valve screw
24	DSG-408-1	Air valve seal
25		Pin
26		Air valve
27	DSG-18	Spring
28		Screw
29	DSG-20	Needle
30	DSG-21	Sealing disc
31	DSG-22-K3	Seal (Pack of 3)

Ref.	Part no.	Description
31a	DSG-94	Cup leather
32	DSG-24	Bushing
33	DSG-25	Packing screw
34		Follower
35	DSG-27	Needle end piece
36		Compression washer (large)
37		Compression spring
38		Compression washer (small)
39		Retaining ring
40		Locking piece
41	DSG-33	Adjusting screw
42		Screw
43		Securing lever
44		Seal
		Filter short, Pack of 10
45	DSG-5-180-K10	200 mesh, red
	DSG-5-100-K10	100 mesh, yellow
	DSG-5-50-K10	50 mesh, white
46		Paint tube long, individual
	DSG-92	Paint tube long, complete
		Filter long, Pack of 10
47	00-00-0001320	200 mesh, red
	00-00-0001319	100 mesh, yellow
	00-00-0001318	50 mesh, white
48	DSG-93	Spring

Accessories

DSG-4001	Seal kit
DSG-4002	Repair kit
DSG-38	Nozzle cleaning set

FLG3 Gravity cup gun (HVLP)



Spare parts

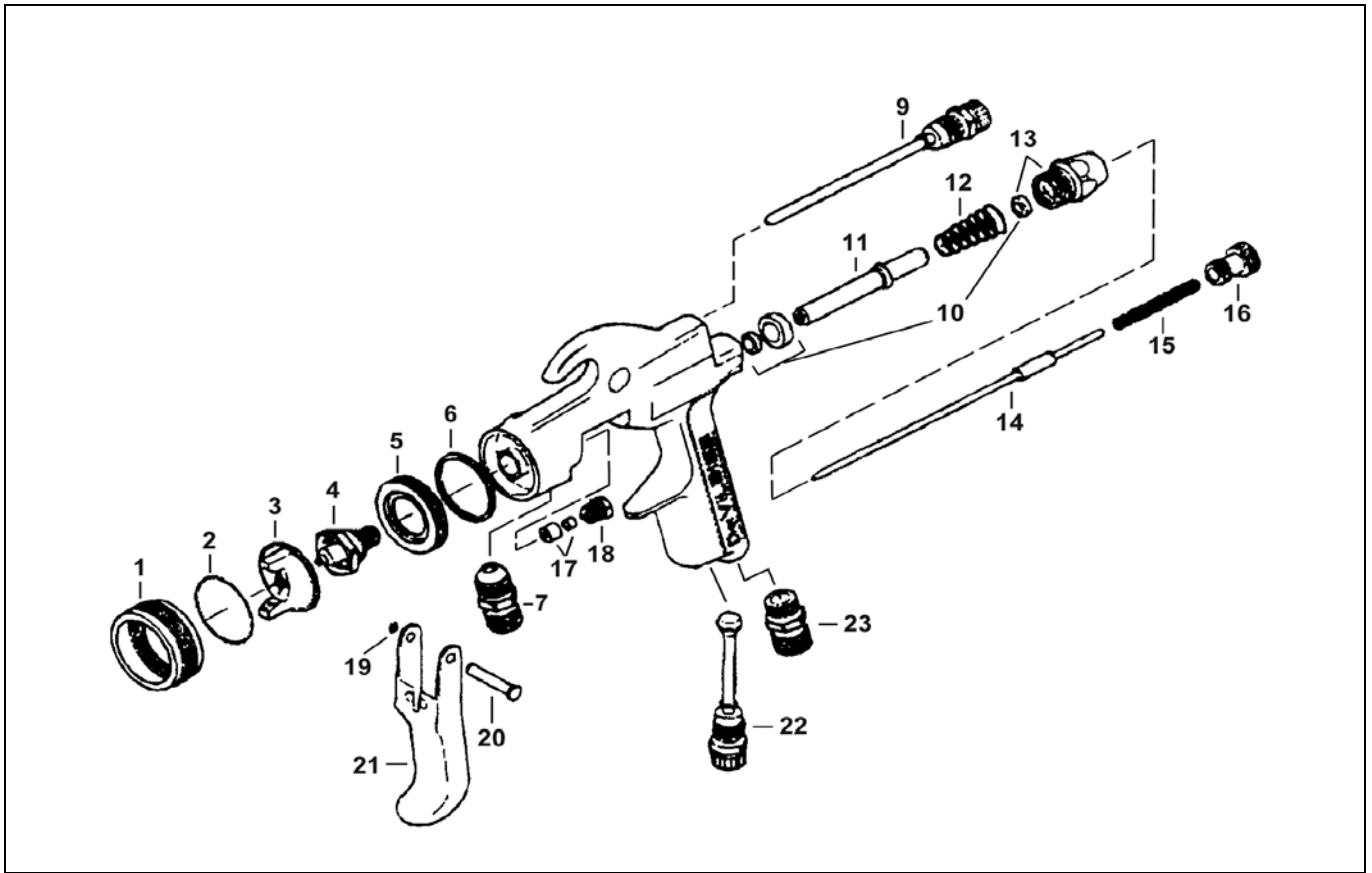
Ref.	Part number	Description
1	FLG-301	Retaining ring
2	FLG-1-3	Air cap No. 3
3	-	Nozzle
4	FLG-304-K5	Seal (Pack of 5)
5	FLG-302-15K	Nozzle 1.5 mm with seal
	FLG-302-18K	Nozzle 1.8 mm with seal
6	FLG-305	Air distributing ring
7	-	Cup seal
8	-	Jet regulating valve
9	*	Seal
10	-	Needle cylinder
11	-	Needle cylinder with adjusting screw
12	FLG-311	Needle
13	*	Needle spring
14	-	Needle adjusting screw
15	*	Air valve cone

Ref.	Part number	Description
16	*	Air valve spring
17	-	Screw
18	-	Air valve compl.
19	-	Air inlet nipple
20	*	Screw
21	-	Trigger
22	*	Trigger pin
23	-	Trigger, pin and screw
24	*	Needle packing
25	-	Packing screw
26	-	Needle packing with nut
27	GFC-501	Gravity cup, compl.
28	GFC-402	Cup cover
29	GFC-2-K5	Drip check clip (Pack of 5)
30	KGP-5-K5	Filter (Pack of 5)

* included in repair kit FLG-488

FUN Gun

(Trans-Tech)

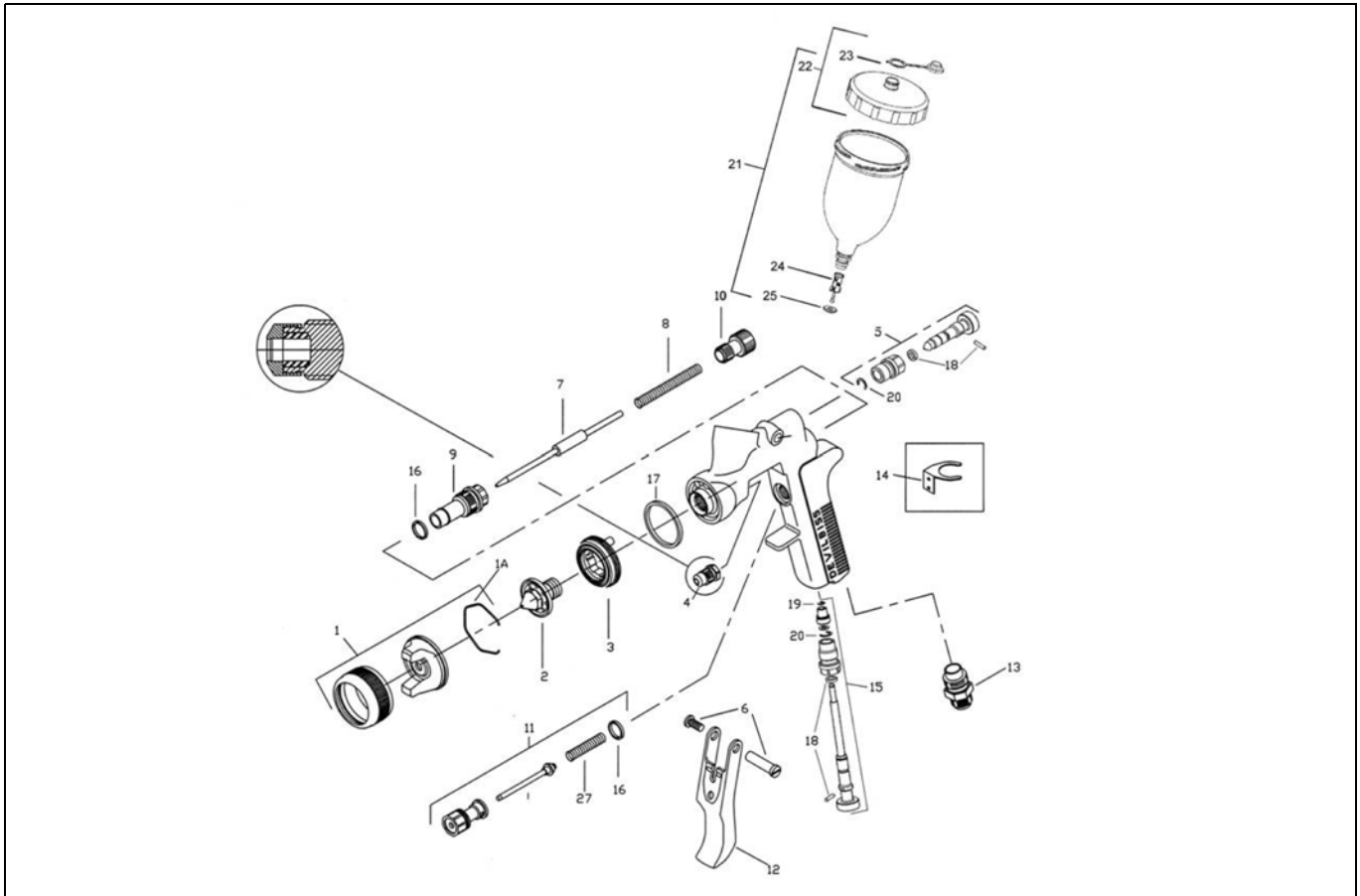


Spare parts

Ref.	Part no.	Description
1	FUN-6	Retaining ring
2	FUN-50-K5	O-Ring (Pack of 5)
3	FUN-...	Air cap see table
4	FUN-4-...	Nozzle see table
5	FUN-7	Air distributing ring
6	FUN-8-K5	Seal (Pack of 5)
7	FUN-35	Material inlet nipple

Ref.	Part no.	Description
	FUN-13	Needle adjusting screw
16	FUN-13-5C	Needle adjusting screw (Pack of 5, sorted by colour)
17	FUN-463	Needle packing
18	FUN-11-K3	Packing screw (Pack of 3)
19	FUN-46-K10	Snap ring (Pack of 10)
20	FUN-45-K5	Trigger pin (Pack of 5)
21	FUN-108	Trigger
22	FUN-42	Air fine regulating valve
23	FUN-30	Air inlet nipple
	FUN-34	Tool for seal assembly (Pos. 10)

GFG

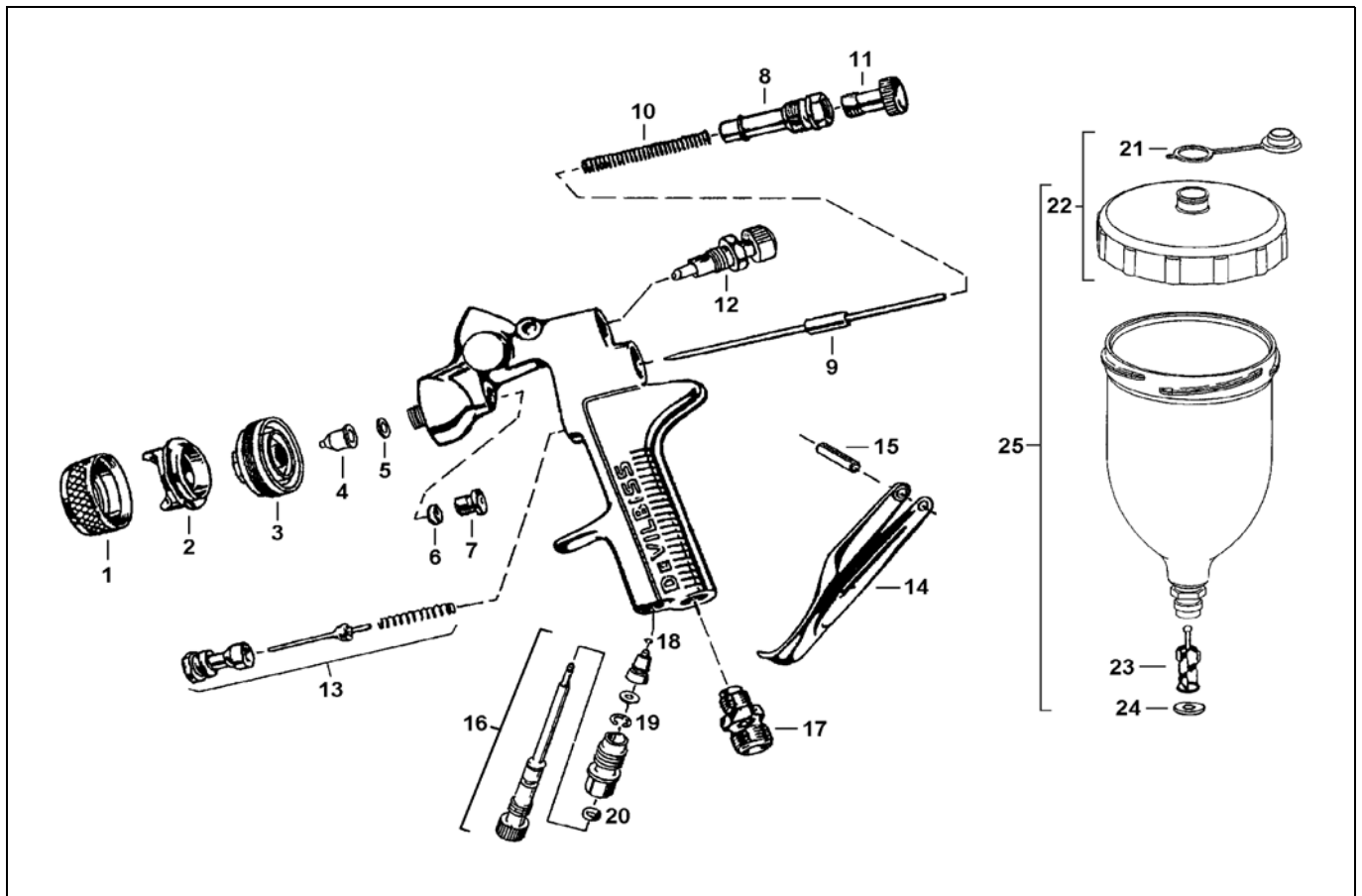


Spare parts

Ref.	Part no.	Description
1	AV-4239-***	Air cap and retaining ring (No. 186+ / 30+)
1a	JGA-156-K5	Spring clip (Pack of 5)
2	KK-4504-***-**	Nozzle kit with air cap ***,nozzle ** and needle
3	JGV-457-K	Air distributing ring (incl. seal)
4	GTI-445-K2	Needle packing (Pack of 2)
5	GTI-404-K	Jet regulating valve
6	GTI-408-K5	Pin with screw (Pack of 5)
7	See Table	Needle
8	GTI-409-K5	Spring (Pack of 5)
9	JGA-17	Needle cylinder
10	GTI-414-K	Needle adjusting screw
11	JGK-449-K	Air valve, compl.
12	GTI-108	Trigger
13	JGA-158	Air inlet nipple 1/4"
14	GFG-6	Gun holder
15	GTI-415-K	Air fine regulating valve
16	JGS-72-K5	Seal (Pack of 5)
17	GTI-33-K5	Seal (Pack of 5)
18	GTI-428-K5	Seal and pin (Pack of 5) including SST-8434-K5

Ref.	Part no.	Description
19	25746-007-K5	Snap ring (Pack of 5)
20	SST-8434-K5	Snap ring (Pack of 5)
21	GFC-501	Gravity cup, compl. 0.6 l
22	GFC-402	Cover
23	GFC-2-K5	Drip check clip (Pack of 5)
24	KGP-5-K5	Fine filter (Pack of 5)
25	GFC-17-K5	Seal (Pack of 5)
26	JGS-431-1	Air valve cone
27	JGV-262-K5	Spring (Pack of 5)

GFP

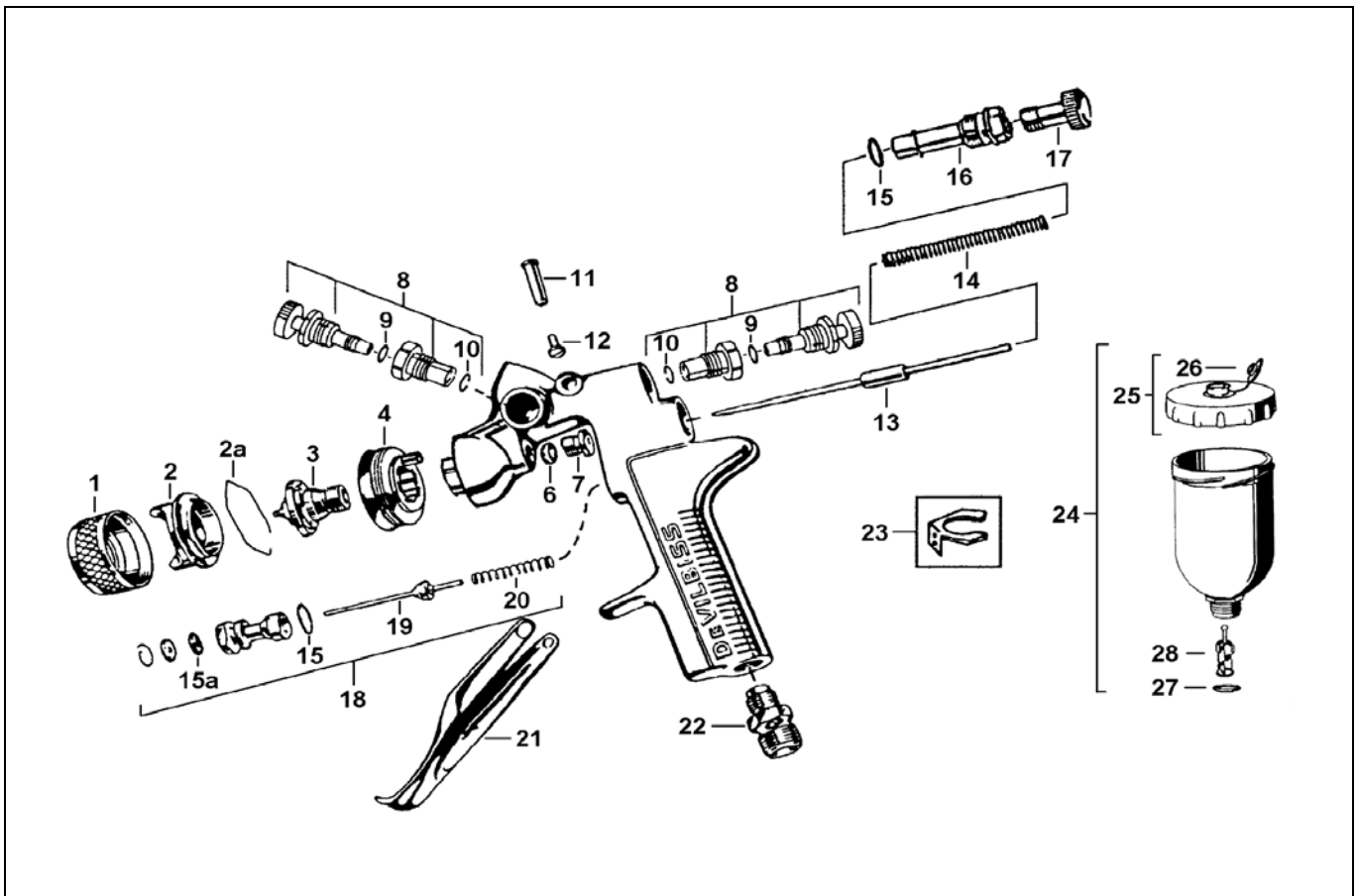


Spare parts

Ref.	Part no.	Description
1		Retaining ring
2	AV-1239-4UZ	Air cap
3		Air distributing ring
4	GFP-2-1.6-K	Nozzle 1.6 mm
5	GFP-3-1-K5	Seal (Pack of 5)
6	JGV-463-K5	Needle packing (Pack of 5)
7	34411-122-K10	Packing screw (Pack of 10)
8	GTI-402-K	Needle cylinder
9	GTI-413-K	Needle
10	JGV-261-K10	Needle spring (Pack of 10)
11		Needle adjusting screw
12	GFG-413-2	Jet regulating valve
13		Air valve, compl.

Ref.	Part no.	Description
14	GTI-108	Trigger
15		Trigger pin
16		Air fine regulating valve
17	JGA-158	Air inlet nipple 1/4"
18	25746-007-K5	Snap ring (Pack of 5)
19	SST-8453-K5	Snap ring (Pack of 5)
20	SSG-8190-K5	O-ring (Pack of 5)
21	GFC-2-K5	Drip check clip (Pack of 5)
22	GFC-402	Cover compl.
23	KGP-5-K5	Fine filter (Pack of 5)
24	KGP-12-K5	Seal (Pack of 5)
25	GFC-501	Gravity cup, compl. 0.6 l

GFV

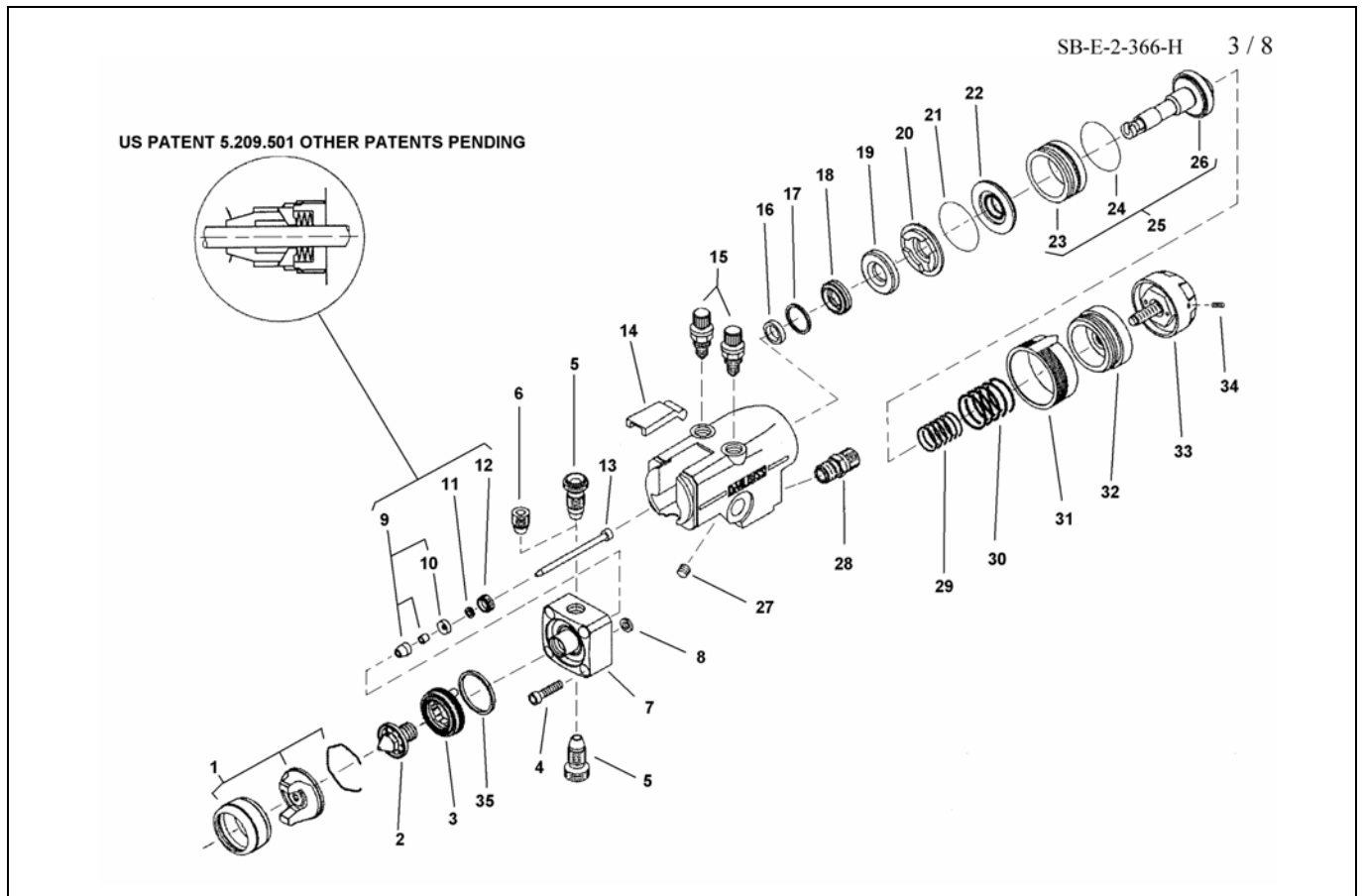


Spare parts

Ref.	Part no.	Description
1	MBC-368	Retaining ring aluminium
		Retaining ring metal
2	AV-4239-186	Air cap with retaining ring
2a	JGA-156-K5	Spring clip (Pack of 5)
3	AV-645-FF	Nozzle 1.4 mm
4		Air distributing ring plastic
6	JGV-463-K5	Needle packing (Pack of 5)
7	34411-122-K3	Packing screw (Pack of 3)
8	GFG-413-2	Jet and air fine regulating valve
9	SSG-8190-K5	O-ring (Pack of 5)
10	SST-8453-K5	Snap ring (Pack of 5)
11	GTI-408-K5	Pin (Pack of 5)
12	GTI-408-K5	Screw (Pack of 5)
13	JGA-421-FF	Needle
14	JGV-261-K10	Needle spring (Pack of 10)
15	JGS-72-K10	Seal (Pack of 10)

Ref.	Part no.	Description
15a	JGS-26-K5	U-cap (Pack of 5)
16	JGA-17	Needle cylinder
17	JGS-16	Needle adjusting screw
18	JGK-449	Air valve, compl.
19	JGS-431-1	Air valve cone
20	JGV-262-K5	Air valve spring (Pack of 5)
21	GTI-108	Trigger
22	JGA-158	Air inlet nipple 1/4"
23	GFG-6	Gun holder
24	GFC-501	Gravity cup, compl. 0.6 l
25	GFC-402	Cover
26	GFC-2-K5	Drip check clip (Pack of 5)
27	KGP-12-K5	Seal (Pack of 5)
28	KGP-5-K5	Fine filter (Pack of 5)

GTI-A

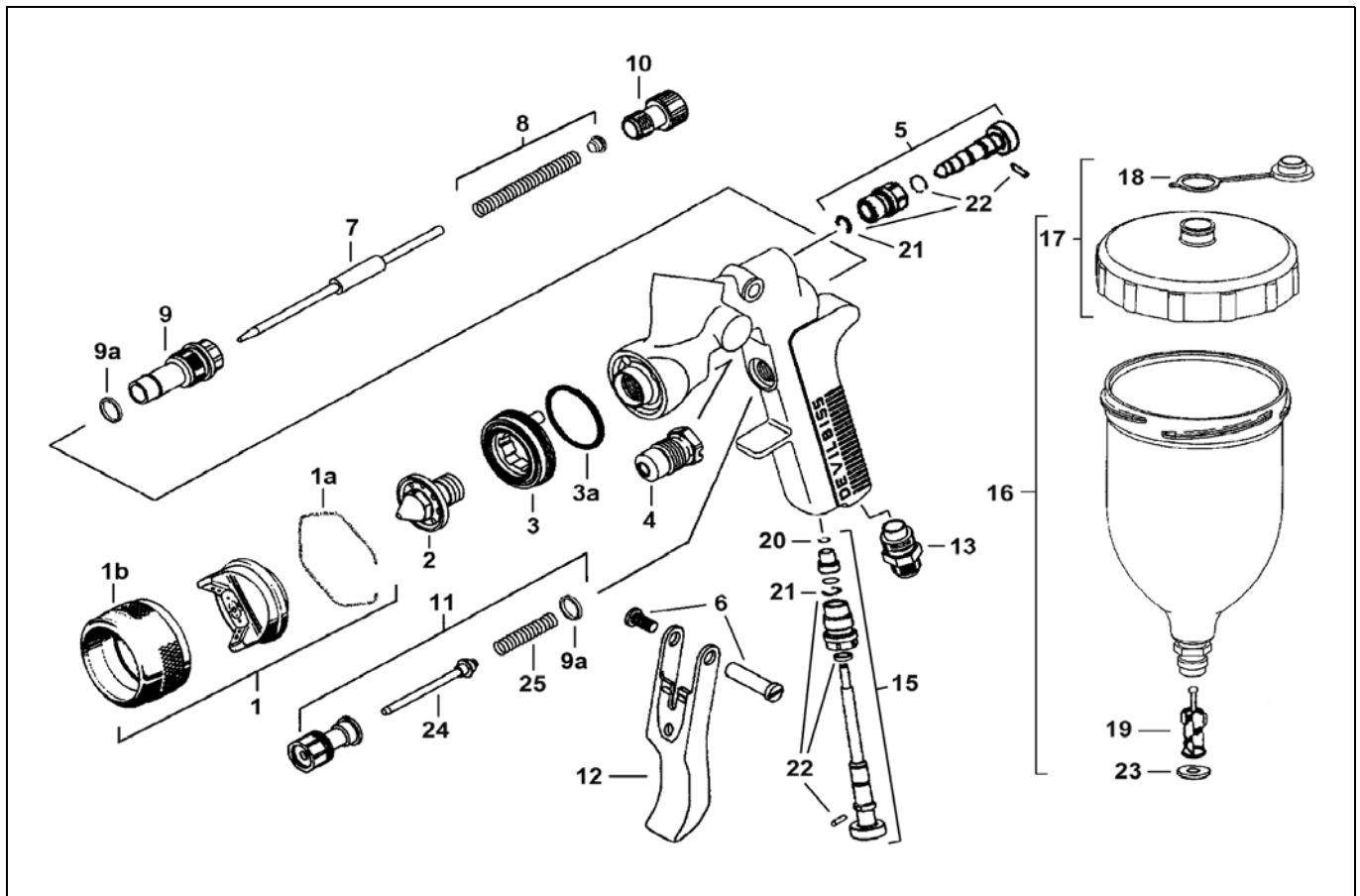


Spare parts

Ref.	Part no.	Description
1	GTI-407-*	Air cap with retaining ring
1a	JGA-156-K5	Spring clip (Pack of 5)
2	GTI-213-**-K	Nozzle (up to 1.5 mm)
	GTI-214-**-K	Nozzle
3	GTIA-425-K	Air distributing ring
4	SSF-3120-K4	Screw (Pack of 4)
5	AGG-58	Material connection 3/8"
6	AGG-59	Plug
7	GTIA-402	Spray head
8	SSG-8099-K10	O-ring (Pack of 10)
9	AGG-444	Packing kit
10	AGGS-31	Disc
11	SSN-1023-K6	Spring discs (Pack of 6)
12	AGGS-32-K5	Lock screw (Pack of 5)
13	GTIA-420-K	Needle for nozzle Gti-213
	AGGS-420DEX-K	Needle for nozzle Gti-214
14	AGG-33	Cover
15	AGG-403	Control valve
16	SST-7711	Seal
17	AGG-39	Sealing ring
18	AGGS-29	Retaining ring
19	AGG-4	Valve seat
20	AGG-5	Spacer holder

Ref.	Part no.	Description
21	SSG-8102-K5	O-ring (Pack of 5)
22	AGG-415-K	Spacer holder
23	AGG-8	Insert
24	SSG-8083-K5	O-ring (Pack of 5)
25	AGG-410	Piston, compl.
26	SST-7713	Piston seal
27	SSF-2048-K5	Screw (Pack of 5)
28	MSG21	Air inlet nipple 1/4"
29	AGG-35-1	Spring
30	AGG-12-1	Spring
31	AGG-36	Ring
32	AGG-9	Cap
33	AGG-402-1	Adjusting knob
34	SSF-2047	Screw
35	GTI-33-K5	Seal, air distributing ring (Pack of 5)

GTI-G Gravity cup gun

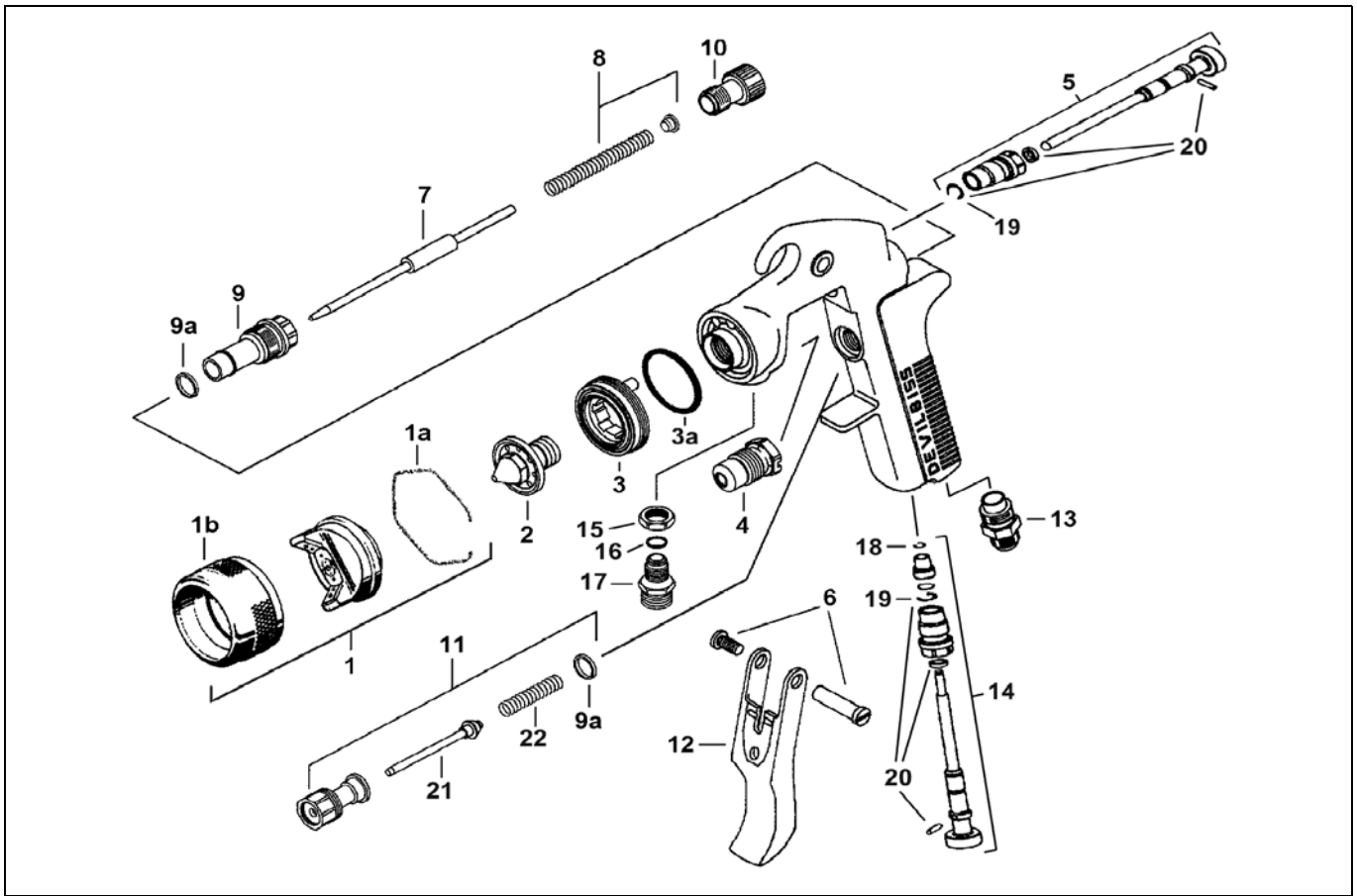


Spare parts

Ref.	Part no.	Description
1	GTI-407-110	Air cap Trans-Tech
	GTI-407-115	Air cap HVLP
1a	JGA-156-K5	Spring clip (Pack of 5)
1b	MBC-368	Retaining ring
2	GTI-213-14-K	Nozzle 1.4 mm (0.85-1.5)
	GTI-214-16-K	Nozzle 1.6 mm (1.6-2.2)
3	GTI-425-K	Air distributing ring
3a	GTI-33-K5	Seal (Pack of 5)
4	GTI-445-K2	Needle packing (Pack of 2)
5	GTI-404-K	Jet regulating valve
6	GTI-408-K5	Pin with screw (Pack of 5)
7	GTI-413-K	Needle up to 1.5 mm
	GTI-420-K	Needle from 1.6 mm
8	GTI-409-K5	Spring with pad (Pack of 5)
9	GTI-402-K	Needle cylinder
9a	JGS-72-K10	Seal (Pack of 10)
10	GTI-414-K	Needle adjusting screw
11	JGK-449	Air valve, compl.
12	GTI-108	Trigger
13	JGA-158	Air inlet nipple 1/4"

Ref.	Part no.	Description
15	GTI-415-K	Air fine regulating valve
16	GFC-501	Gravity cup, compl. 0.6 l
17	GFC-402	Cover, compl.
18	GFC-2-K5	Drip check clip (Pack of 5)
19	KGP-5-K5	Fine filter (Pack of 5)
20	25746-007-K5	Snap ring (Pack of 5)
21	SST-8434-K5	Snap ring (Pack of 5)
22	GTI-428-K5	Seal, pin and snap ring (Pack of 5)
	KGP-12-K5	Seal (Pack of 5)
23	KGP-12-K5	Seal (Pack of 5)
24	JGS-431-1	Air valve cone
25	JGV-262-K5	Air valve spring (Pack of 5)

GTI-P Pressure spray gun

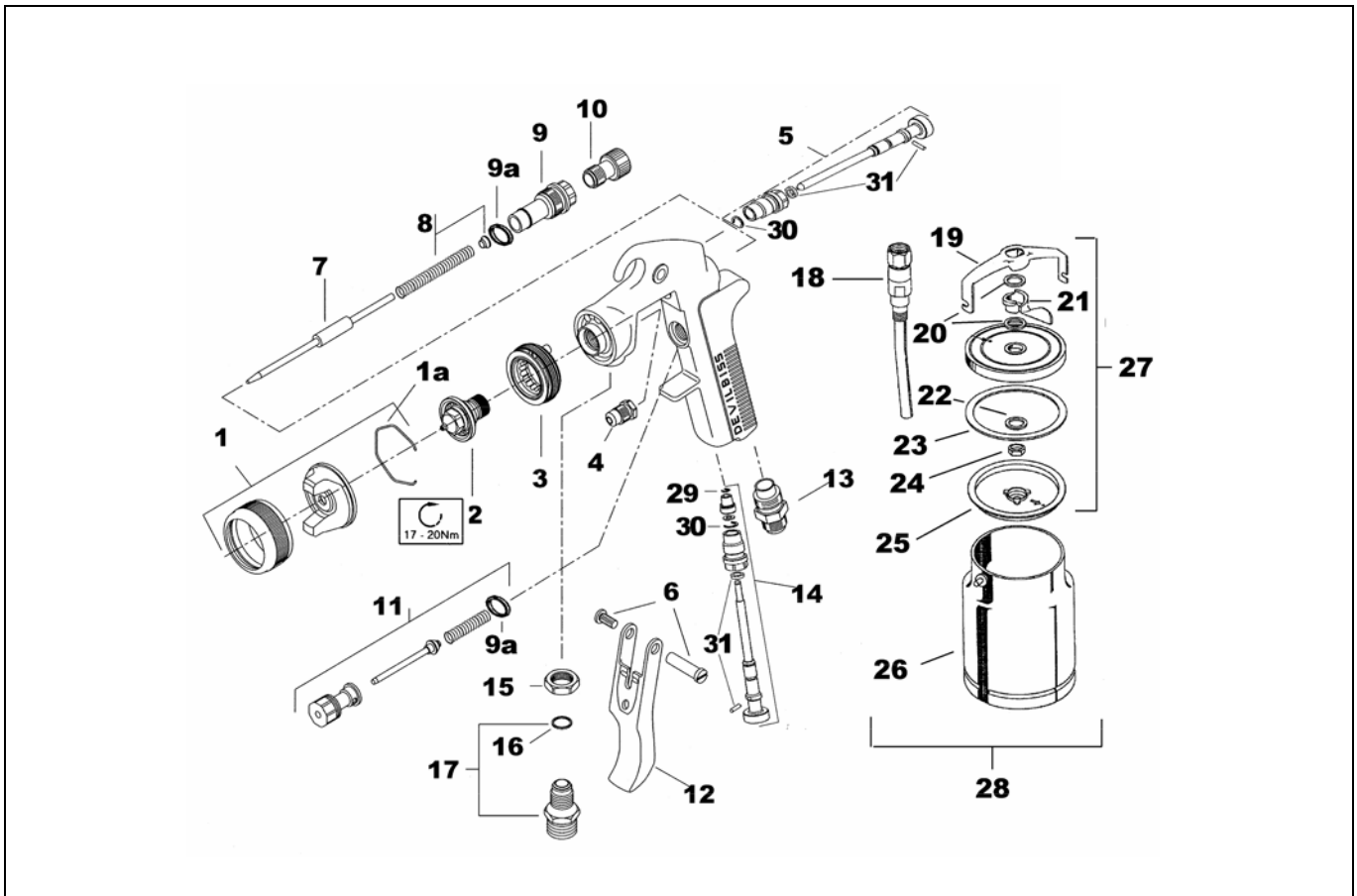


Spare parts

Ref.	Part no.	Description
1	GTI-407-122	Air cap with retaining ring
1a	JGA-156-K5	Spring clip (Pack of 5)
1b	MBC-368	Retaining ring
2	GTI-213-**-K	Nozzle (up to 1.5 mm)
	GTI-214-**-K	Nozzle (up to 1.6 mm – 2.2 mm)
3	GTI-425-K	Air distributing ring
3a	GTI-33-K5	Seal (Pack of 5)
4	GTI-445-K2	Needle packing (Pack of 2)
5	GTI-405-K	Jet regulating valve
6	GTI-408-K5	Pin with screw (Pack of 5)
	GTI-449-10-K	Needle 0.85/1.0 mm
	GTI-449-12-K	Needle 1.1/1.2 mm
	GTI-449-14-K	Needle 1.3/1.4/1.5 mm
7	GTI-420-K	Needle 1.6 - 2.2 mm
8	GTI-409-K5	Spring with pad (Pack of 5)
9	GTI-402-K	Needle cylinder
9a	JGS-72-K10	Seal (Pack of 10)
10	GTI-414-K	Needle adjusting screw
11	JGK-449	Air valve, compl.
12	GTI-108	Trigger
13	JGA-158	Air inlet nipple 1/4"

Ref.	Part no.	Description
14	GTI-415-K	Air fine regulating valve
15	JGA-51-K5	Nut (Pack of 5)
16	23165-001-K10	Seal (Pack of 10)
17	JGA-159-K	Material inlet nipple 3/8"
18	25746-007-K5	Snap ring (Pack of 5)
19	SST-8434-K5	Snap ring (Pack of 5)
20	GTI-428-K5	Seal, pin and
		snap ring (Pack of 5)
21	JGS-431-1	Air valve cone
22	JGV-262-K5	Air valve spring (Pack of 5)

GTI-S Syphon cup gun



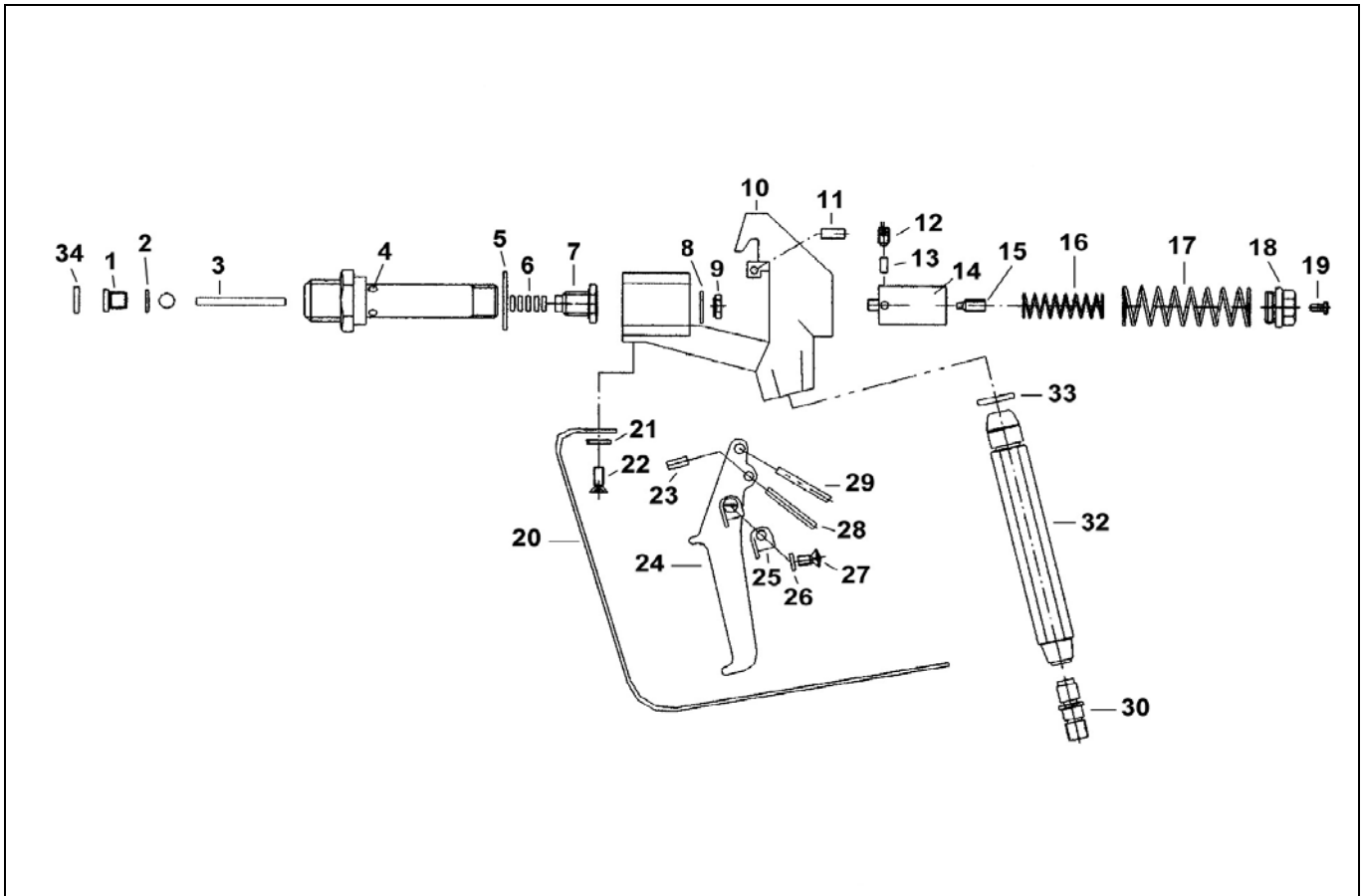
Spare parts

Ref.	Part no.	Description
1	GTI-407-...	Air cap with retaining ring
1a	JGA-156-K5	Spring clip (Pack of 5)
2	GTI-213-...-K	Nozzle (up to 1.5 mm)
	GTI-214-...-K	Nozzle (1.6 mm up to 2.2 mm)
3	GTI-425-K	Air distributing ring
	GTI-33-K5	Seal for air distributing ring (Pack of 5)
4	GTI-445-K2	Needle packing (Pack of 2)
	GTI-405-K	Jet regulating valve
5	GTI-408-K5	Pin with screw (Pack of 5)
	GTI-413-K	Needle (for GTI-213)
6	GTI-420-K	Needle (for GTI-214)
	GTI-409-K5	Spring with pad (Pack of 5)
7	GTI-402-K	Needle cylinder
	JGS-72-K5	Seal (Pack of 10)
8	GTI-414-K	Needle adjusting screw
	JGK-449-K	Air valve compl.
9	GTI-108	Trigger
	JGA-158	Air inlet nipple
9a	GTI-415-K	Air fine regulating valve
	JGA-51-K5	Lock nut (Pack of 5)
10	23165-001-K10	Seal (Pack of 10)
	JGA-159-K	Material inlet nipple
11	KRW-4001-B	Intake tube
	KR-77	Bracket

Ref.	Part no.	Description
12	GTI-108	Trigger
13	JGA-158	Air inlet nipple
14	GTI-415-K	Air fine regulating valve
15	JGA-51-K5	Lock nut (Pack of 5)
16	23165-001-K10	Seal (Pack of 10)
17	JGA-159-K	Material inlet nipple
18	KRW-4001-B	Intake tube
19	KR-77	Bracket
20		Disc (Pack of 5)
21	KR-130	Clamping lever
22	KRW-40	Disc
23	KR-11-K3	Cover seal (Pack of 3)
24		Nut (Pack of 5)
25	KR-115-K5	Drip protection (Pack of 5)
26	KRW-401-K	Cup (blue anodised)
	KR-494-1-K	Cup (interior PTFE coated)
27	KR-4001-B	Cover, attached, 3/8"
28	KRW-502-B	Cup, compl. (blue anodised)
29	25746-007-K5	Snap ring (Pack of 5)
30	SST-8434-K5	Snap ring (Pack of 5)
31	GTI-428-K5	Seal and pin (Pack of 5) including SST-8434-K5

HAP50D

(Airless)



Spare parts

Ref.	Part no.	Description
1	0114-013612	Valve seat
2	0114-013825	Gasket
3	0114-014051	Valve needle
4	0114-013759	Insert
5	0114-013823	Seal
6	0114-013615	Packing compl.
7	0114-013770	Packing screw
8	0114-013835	Gasket
9	0114-013771	Nut
10	0114-013764	Gun body assembly
11	0114-013853	Bearing sleeve
12	0114-014190	Threaded pin
13	0114-013775	Pressure plug
14	0114-013774	Guide sleeve
15	0114-013778	Screw set
16	0114-014072	Compression spring
17	0114-014067	Compression spring
18	0114-013762	Locking screw
19	0114-014169	Screw
20	0114-014108	Trigger guard
21	0114-014167	Washer
22	0114-014166	Screw
23	0114-014689	Roller
24	0114-013639	Trigger

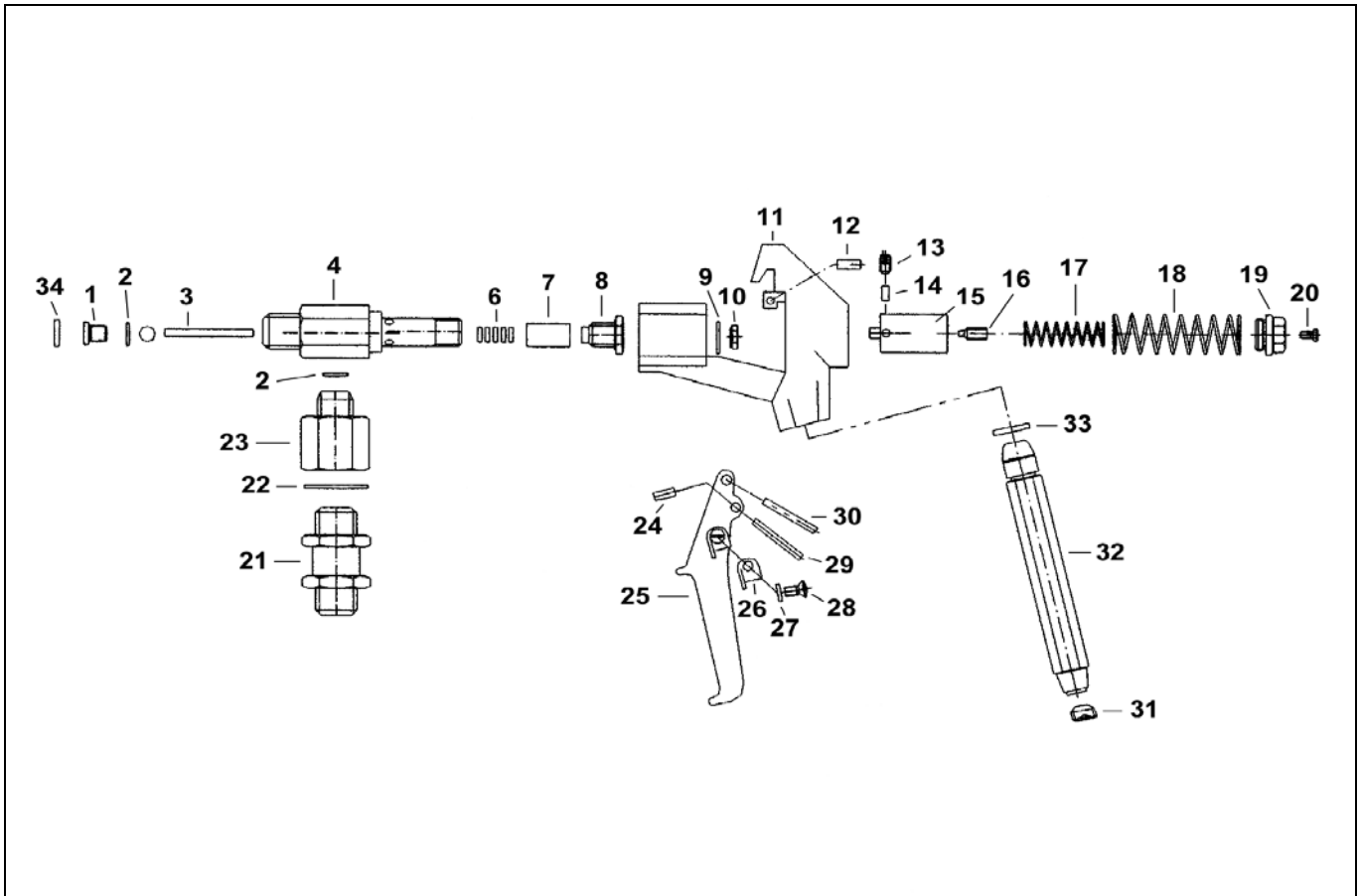
Ref.	Part no.	Description
25	0114-014111	Trigger guard
26	0114-014172	Spring washer
27	0114-014076	Threaded pin
28	0114-014688	Axle, lower
29	0114-013852	Axle, upper
30	0114-013579	Swivel joint 1/4"
32	0114-013844	Handle
33	0114-013845	Gasket
34	0114-013836	Gasket

Accessories

454-5	Tip base
0114-013559	Seal kit (Pos. 2,5,6,8,31,33,34)
0114-013560	Repair kit (Pos. 1,2,3,5,6,8,31,33,34)
00-00-0001320	Filter 200 mesh, red (Pack of 10)
00-00-0001319	Filter 100 mesh, yellow (Pack of 10)
00-00-0001318	Filter 50 mesh, white (Pack of 10)
0114-018490	Tool set

HAP 50F

(Airless)



Spare parts

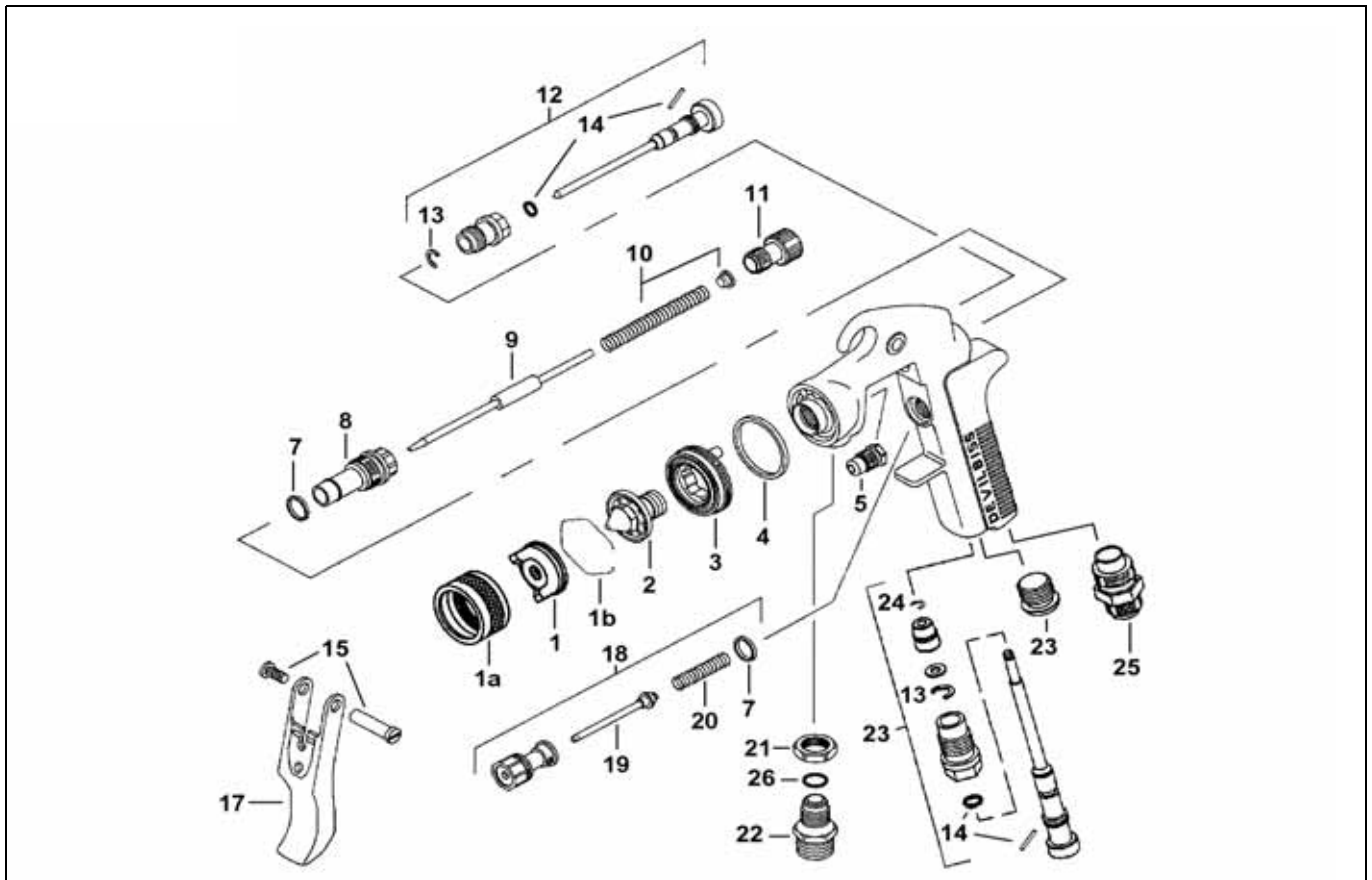
Ref.	Part no.	Description
1	0114-013612	Valve seat
2	0114-013825	Gasket
3	0114-014100	Valve needle
4	0114-013859	Insert
6	0114-013615	Packing compl.
7	0114-013868	Spacer sleeve
8	0114-013770	Packing screw
9	0114-013835	Gasket
10	0114-013771	Nut
11	0114-013764	Body gun assembly
12	0114-013853	Bearing sleeve
13	0114-014190	Threaded pin
14	0114-013775	Pressure plug
15	0114-013774	Guide sleeve
16	0114-013778	Screw
17	0114-014072	Compression spring
18	0114-014067	Compression spring
19	0114-013762	Locking screw
20	0114-014169	Screw
21	0110-017257	Swivel joint 1/4"
22	00-00-0002245	Cu-ring

Ref.	Part no.	Description
23	0114-013435	Reducer
24	0114-014689	Roller
25	0114-013639	Trigger
26	0114-014111	Safety lock
27	0114-014172	Spring washer
28	0114-014076	Screw
29	0114-014688	Axle, lower
30	0114-013852	Axle, upper
31	0114-013870	Screw
32	0114-013844	Handle
33	0114-013845	Gasket
34	0114-013836	Gasket

Accessories

454-5	Tip base
0114-013560	Repair kit (Pos. 1,2,3,6,9,34)
0114-018490	Tool set

JGV

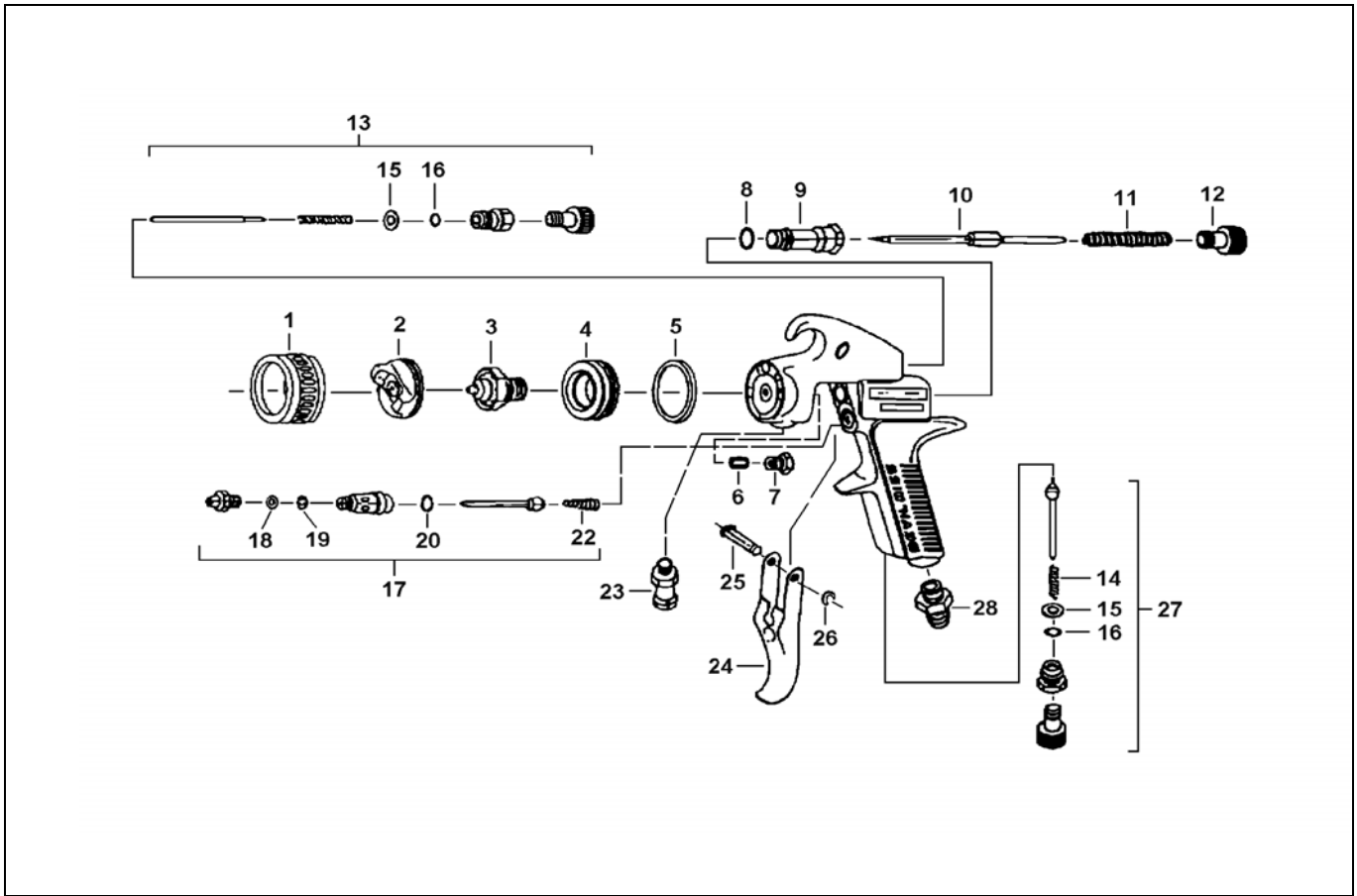


Spare parts

Ref.	Part no.	Description
1	AV-4239-186	Air cap with retaining ring
1a	MBC-368	Retaining ring metal
		Retaining ring aluminium
1b	JGA-156-K5	Spring clip (Pack of 5)
2	AV-645-FX	Nozzle 1.1 mm**
	AV-651-FX	Nozzle 1.1 mm with plastic insert
3	JGV-457-K	Air distributing ring
4	GTI-33-K5	Seal (Pack of 5) (not applicable if using MSG-410)
5	GTI-445-K2	Needle packing (Pack of 2)
7	JGS-72-K10	Seal (Pack of 10)
8	JGA-17	Needle cylinder
9	JGA-421-FX-K	Needle
10	GTI-409-K5	Spring with pad (Pack of 5)
11	GTI-414-K	Needle adjusting screw
12	GTI-405-K	Jet regulating valve, compl.
13	SST-8434-K5	Snap ring (Pack of 5)
14	GTI-428-K5	Seal and pin (Pack of 5)
15	GTI-408-K5	Pin and screw (Pack of 5)
17	GTI-108	Trigger
18	JGK-449-K	Air valve, compl.

Ref.	Part no.	Description
19	JGS-431-1	Air valve cone
20	JGV-262-K5	Air valve spring (Pack of 5)
21	JGA-51-K5	Locknut (Pack of 5)
22	JGV-278	Material connection R 3/8"
	GTI-415-K	Air fine regulating valve
23	JGHV-59	Blanking plug
24	25746-007-K5	Snap ring (Pack of 5)
25	JGA-158	Air inlet nipple 1/4"
26	MSV-3	Seal

JGX



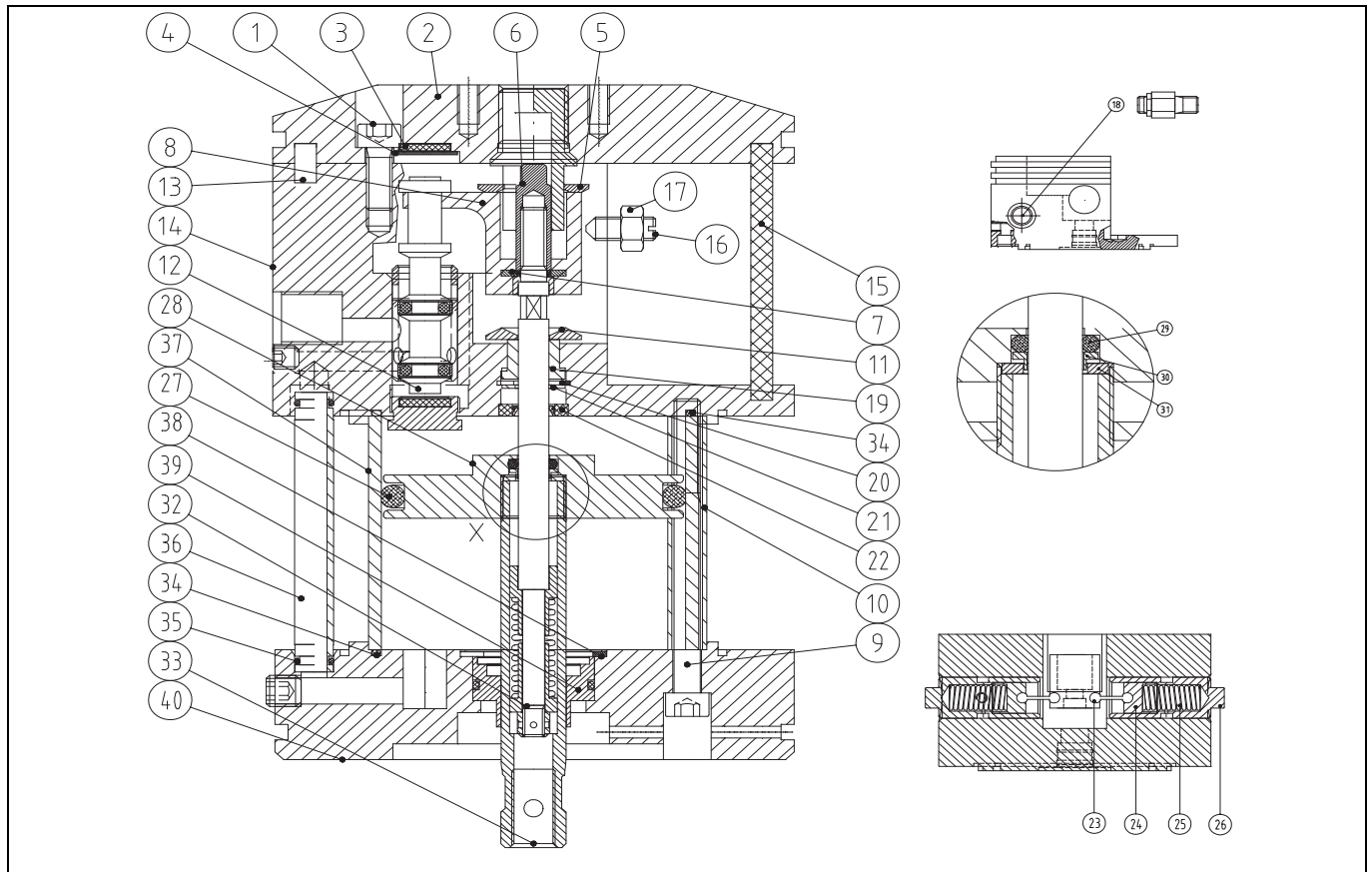
Spare parts

Ref.	Part no.	Description
1	JGX-5	Retaining ring
2	JGX-3-103	Air cap
3	JGX-4-FF	Nozzle 1.4 mm
4	JGX-7	Air distributing ring
5	JGX-8-K5	Seal (Pack of 5)
6	JGV-463-K5	Needle packing (Pack of 5)
7	JGX-11-K3	Packing screw (Pack of 3)
8		Seal
9	JGX-12	Needle cylinder
10	JGX-41-FF	Needle
11	JGX-14-K3	Needle spring (Pack of 3)
12	JGX-13	Needle adjusting screw
13	JGX-44	Jet regulating valve, compl.
15		O-ring (Pack of 5)
16		O-ring (Pack of 5)

Ref.	Part no.	Description
17	JGX-43	Air valve, compl.
18		Packing (Pack of 5)
19		Packing (Pack of 5)
20		O-ring (Pack of 5)
22	JGX-25	Air valve spring
		Material connection R 3/8"
23	JGX-2	Material connection R 1/4"
	JGX-35-L	Material connection R 1/4" long design
24	GTI-108	Trigger
25	GTI-408-K5	Pin (Pack of 5)
26	GTI-408-K5	Screw (Pack of 5)
27	JGX-42	Fine regulating valve
28		Air inlet nipple

LM70/42

Use with HP 3/28



Spare parts

Ref.	Part no.	Description	Qty	Kit
1	0114-014182	Screw	4	
2	0110-013442	Cover compl.	1	
3	0114-014300	Dampening spacer	1	R
4	0114-014345	Serregated washer	1	R
5	0114-014301	Dampening spacer	1	R
6	0114-014298	Bolt	1	
7	0114-014295	Spacer	1	
8	0114-014341	Carrier ass.	V	1
9	0114-014284	Screw	4	
10	0114-011584	Spacer holder	4	
11	0114-014302	Dampening spacer	1	R
12	0114-014346	Control piston compl.	V	1 R
13	0114-014350	Parallel pin	2	
14	0114-013443	Cylinder head	1	
15	0114-014306	Dampening spacer	1	
16	0114-014367	Threaded pin	2	
17	0114-014163	Nut	2	
18	0114-014774	Safety valve	1	
19	0114-014296	Shoulder bushing	V	1 R
20	0114-014307	Retaining ring	1	R
21	0114-014409	Spacer	1	
22	0114-013956	U-seal	V	1 D / R
23	0114-014305	Toggle	V	2
24	0114-014340	Toggle bearing	V	2

Ref.	Part no.	Description	Qty	Kit
25	0114-014032	Compression spring	V	2
26	0114-014297	Bearing bush		2
27	0114-013955	O-ring	V	1 D / R
28	0114-014764	Piston plate		1
29	0114-013953	O-ring		1 D / R
30	0114-014765	Guide ring		1 R
31	0114-014766	Spacer	V	1 R
32	0114-014333	Guide axle compl.	V	1 R
33	0114-014291	Motor axle	V	1
34	0114-013967	O-ring	V	2 D / R
35	0114-014308	O-ring	V	4 D / R
36	0114-014293	Air inlet pipe		2
37	0114-014294	Cylinder		1
38	0114-014355	Retaining ring		1 D / R
39	0114-014468	Guide bush compl.	V	1
40	0110-013444	Bottom compl.		1

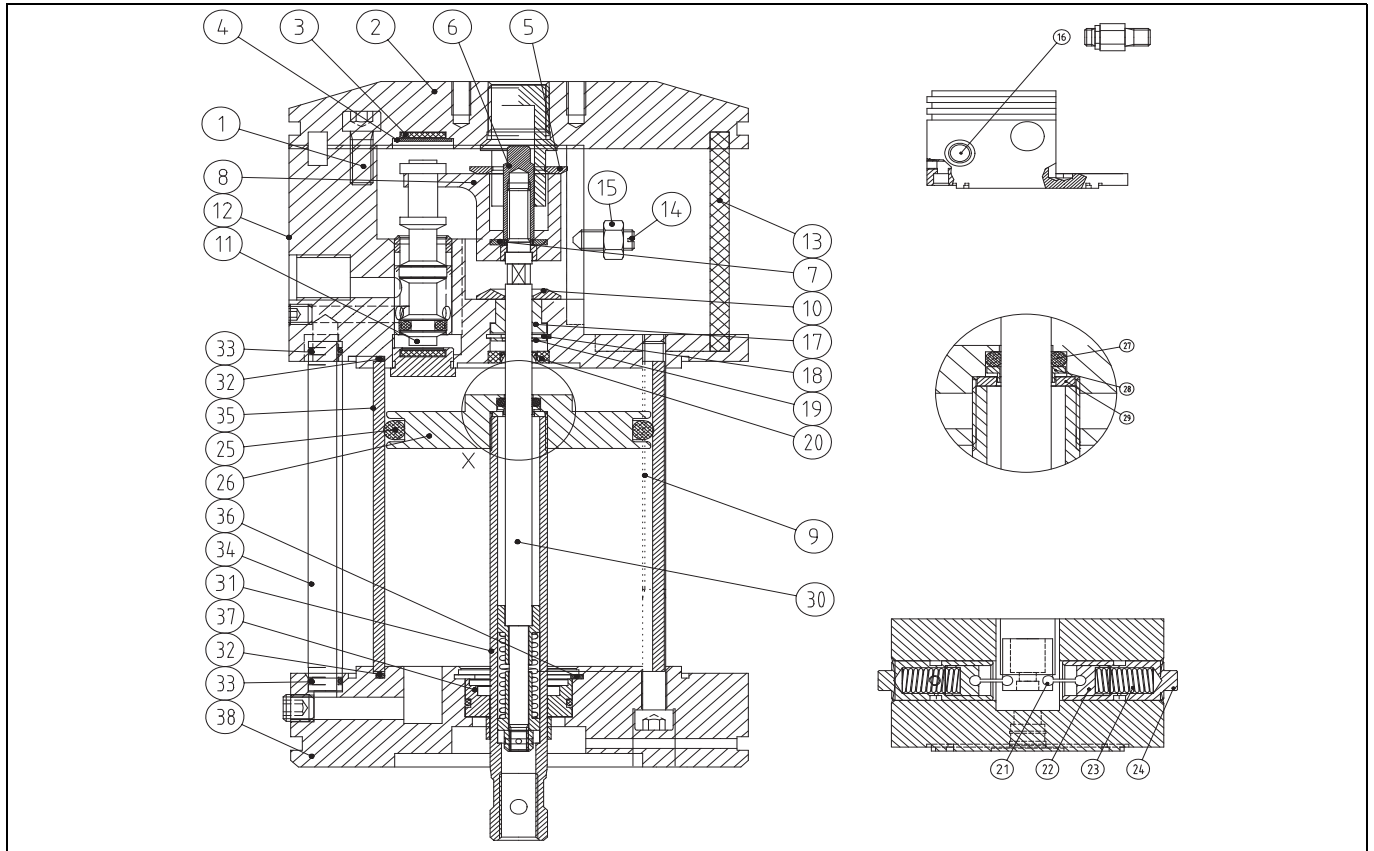
Spare parts kits

D	0114-018645	Seal kit		
R	0114-018644	Repair kit		
		Wearing part		V

Spares are available in the service kits as shown.

LM70/75

Use with HP 4/20



Spare parts

Ref.	Part no.	Description	Qty	Kit
1	0114-014182	Screw	4	
2	0114-013442	Cover compl.	1	
2.1	0114-011586	Guide	1	
3	0114-014300	Dampening spacer	1	R
4	0114-014345	Serregated washer	1	R
5	0114-014301	Dampening spacer	1	R
6	0114-014298	Bolt	1	
7	0114-014295	Spacer	1	
8	0114-014341	Carrier ass.	V	1
9	0114-014584	Fillister head screw	4	R
10	0114-014302	Dampening spacer	1	R
11	0114-014346	Control piston compl.	V	1 R
12	0114-013443	Cylinder head	1	
13	0114-014306	Dampening spacer	1	R
14	0114-014367	Threaded pin	2	
15	0114-014163	Nut	2	
16	0114-014716	Mini safety valve 5 bar	1	
17	0114-014296	Shoulder bushing	V	1 R
18	0114-014307	Retaining ring	1	R
19	0114-014409	Spacer	1	
20	0114-013956	U-seal	V	1 D/R
21	0114-014305	Toggle	V	2
22	0114-014340	Toggle bearing	V	2
23	0114-014032	Compression spring	V	2
24	0114-014297	Bearing bush	2	
25	0114-013955	O-ring	V	1 D/R

Ref.	Part no.	Description	Qty	Kit
26	0114-014764	Piston plate	1	
27	0114-013953	O-ring	1	D/R
28	0114-014765	Guide ring	1	
29	0114-014766	Spacer	1	R
30	0114-014410	Guide axle compl.	V	1 R
31	0114-014412	Motor axle	V	1
32	0114-013967	O-ring	V	2 D/R
33	0114-014308	O-ring	V	4 D/R
34	0114-014413	Air inlet pipe	2	
35	0114-019997	Cylinder	1	
36	0114-014355	Retaining ring	1	D/R
37	0114-014468	Guide bush compl.	V	1 D/R
38	0114-013444	Bottom compl.	1	

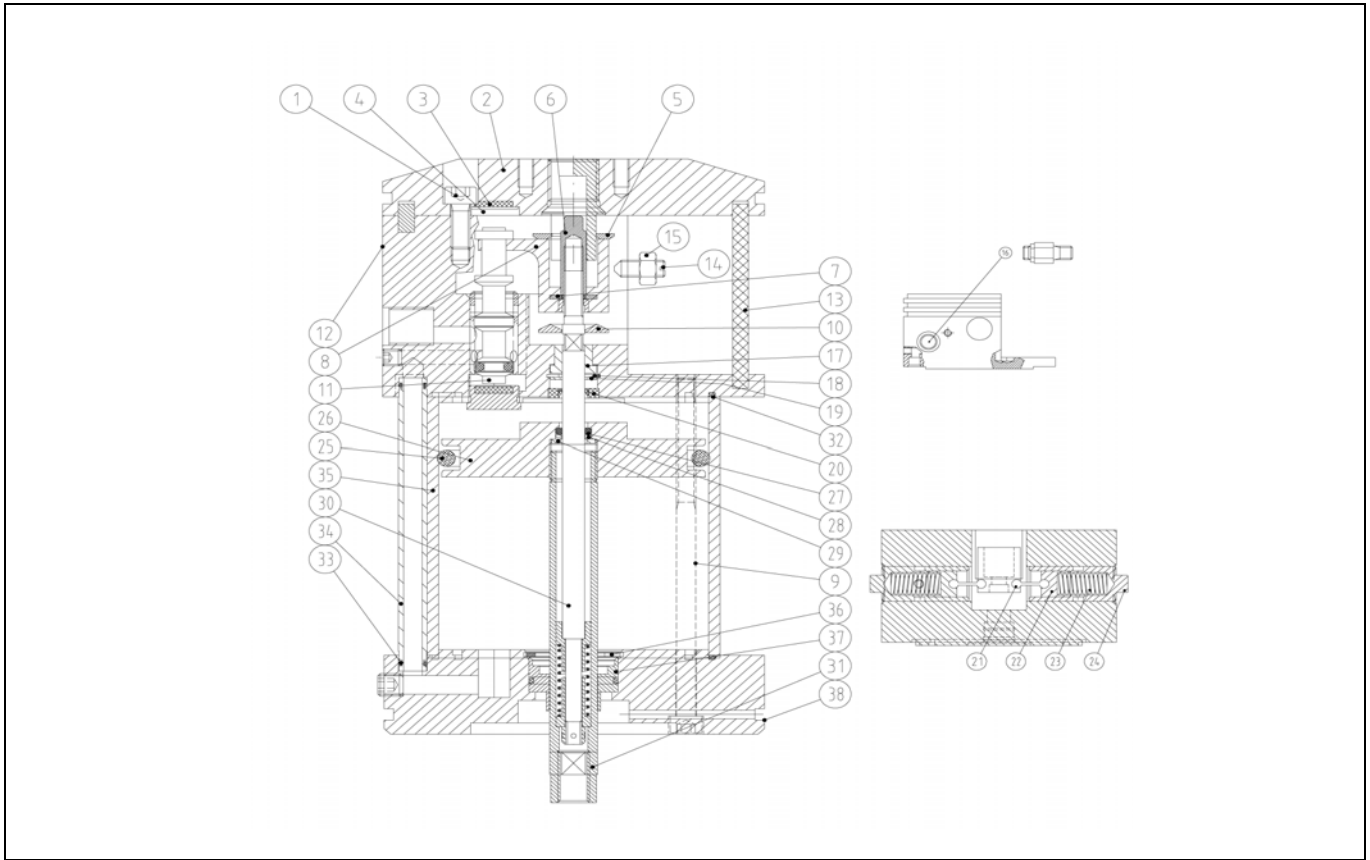
Spare parts kits

D	0114-018645	Seal kit		
R	0114-021210	Repair kit		
		Wearing part	V	

Spare parts are available in the service kits as shown.

LM85/75

Use with HP 4/32



Spare parts

Ref.	Part no.	Description	Qty	Kit
1	0114-014182	Ring	4	
2	0114-013442	Cover compl.	1	
3	0114-014300	Dampening spacer	1	R
4	0114-014345	Serregated washer	1	R
5	0114-014301	Dampening spacer	1	R
6	0114-014298	Bolt	1	
7	0114-014295	Spacer	1	
8	0114-014341	Carrier ass.	V	1
9	0114-014584	Fillister head screw	4	
10	0114-014302	Dampening spacer	1	R
11	0114-014346	Control piston compl.	V	1 R
12	0114-013443	Cylinder head	1	
13	0114-014306	Dampening spacer	1	R
14	0114-014367	Threaded pin	2	
15	0114-014163	Nut	2	
16	0114-014774	Safety valve	1	
17	0114-014296	Shoulder bushing	V	1 R
18	0114-014307	Retaining ring	1	R
19	0114-014409	Spacer	1	
20	0114-013956	U-seal	V	1 D/R
21	0114-014305	Toggle	V	2
22	0114-014340	Toggle bearing	V	2
23	0114-014032	Compression spring	V	2

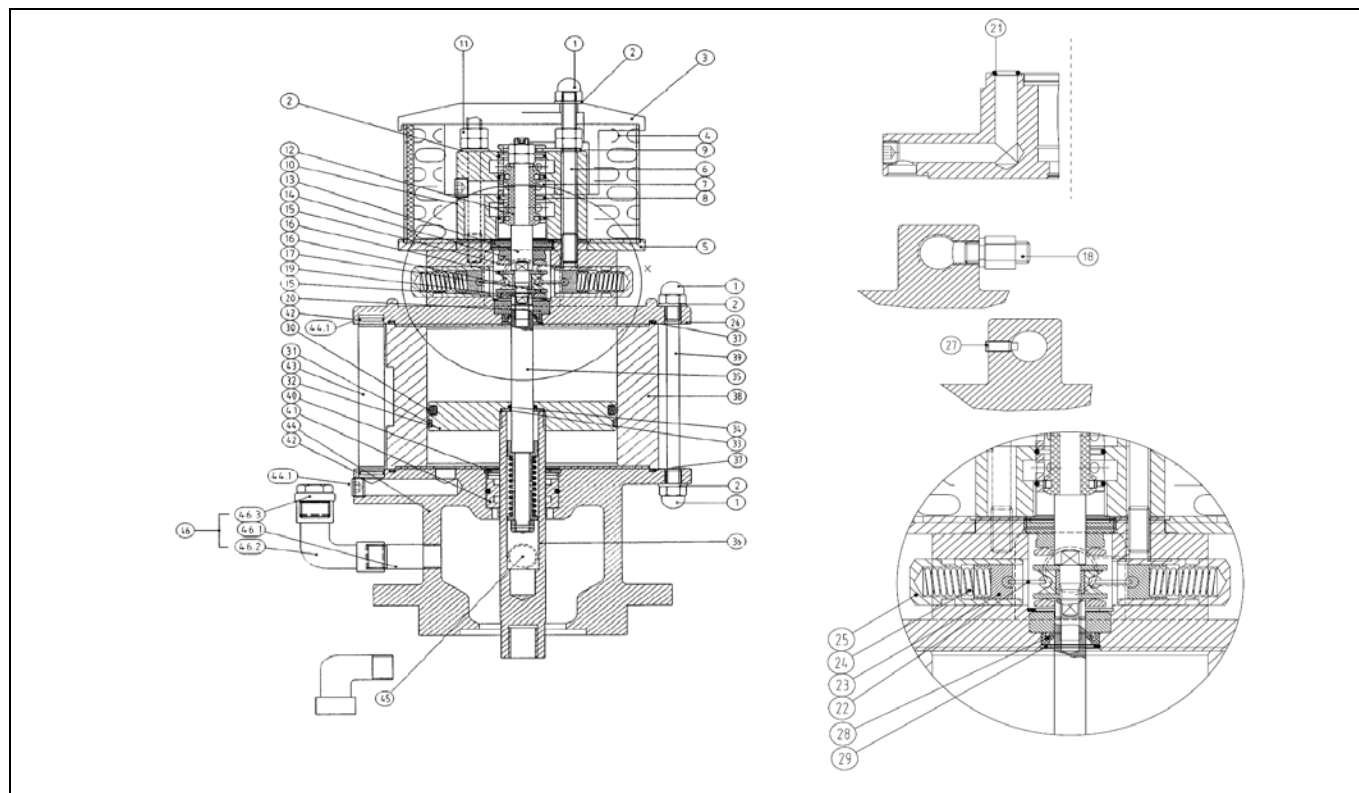
Ref.	Part no.	Description	Qty	Kit
24	0114-014297	Bearing bush	2	
25	0114-014466	O-ring	V	1 D/R
26	0114-014767	Piston plate	1	
27	0114-013953	O-ring	V	1 D/R
28	0114-014765	Guide ring	1	R
29	0114-014766	Spacer	1	R
30	0114-014410	Guide axle compl.	V	1 R
31	0114-014412	Motor axle	V	1
32	0114-014467	O-ring	V	2 D/R
33	0114-014308	O-ring	V	4 D/R
34	0114-014413	Air inlet pipe	2	
35	0114-014582	Cylinder	1	
36	0114-014355	Retaining ring	1	D/R
37	0114-014468	Guide bush compl.	V	1 D/R
38	0110-013444	Bottom compl.	1	

Spare parts kits				
D	0114-014530	Seal kit		
R	0114-014734	Repair kit		
		Wearing part		V

Spare parts are available in the service kits as shown.

LM105/75

Use with HP 6/34



Spare parts

Ref.	Part no.	Description	Qty	Kit
1	0114-014387	Dome nut	11	
2	0114-014165	Washer	13	
3	0114-014371	Cover	1	
4	0114-014673	Air Muffler compl.	1	
5	0114-014374	Spacer	1	
6	0114-014666	Threaded bolt	3	
7	0114-014373	Control cylinder	1	
8	0114-013954	O-ring	V 4	D / R
9	0114-014372	Safety plate	1	
10	0114-014656	Control housing compl.	1	
11	0114-014164	Nut	2	
12	0114-014388	Check piston compl.	V 1	R
13	0114-014376	Alignment insert	V 1	
14	0114-014379	Centring piece	1	
15	0114-014378	Dampening spacer	2	R
16	0114-014628	Spacer	1	
17	0114-014438	Carrier ass.	V 1	
18	0114-014774	Safety valve 8 bar	1	
19	0114-014619	Retaining ring	1	R
20	0114-014618	Spacer	1	R
21	0114-014608	O-ring	3	D / R
22	0114-014305	Toggle	V 2	
23	0114-014340	Toggle bearing	V 2	
24	0114-014067	Compression spring	V 2	
25	0114-014381	Bearing bush	2	
26	0114-014661	Cylinder head	1	
27	0114-014367	Threaded pin	2	
28	0114-014380	U-seal	V 1	D / R
29	0114-014212	Retaining ring	1	D / R

Ref.	Part no.	Description	Qty	Kit
30	0114-013989	O-ring	V 1	D / R
31	0114-014392	Guide ring	1	D / R
32	0114-014391	Piston plate	1	
33	0114-014384	Spacer	1	
34	0114-014421	O-ring	V 1	D / R
35	0114-014396	Guide axle compl.	V 1	
36	0114-014395	Motor axle	V 1	
37	0114-013993	O-ring	V 2	D / R
38	0114-018476	Cylinder	1	
39	0114-014386	Threaded bolt	4	
40	0114-014359	Retaining ring	1	D / R
41	0114-014464	Guide bush compl.	V 1	D / R
42	0114-013957	O-ring	V 2	D / R
43	0114-014403	Ventilation pipe	1	
44	0114-014660	Lower section compl. new	1	
44.1	0114-014657	Closing Screw	2	
45	0114-013679	Elbow	1	
46	0114-014561	Filler neck, compl.	1	
46.1	0114-013520	Nipple	1	
46.2	0114-013670	Elbow	1	
46.3	0114-013671	Screw plug	1	

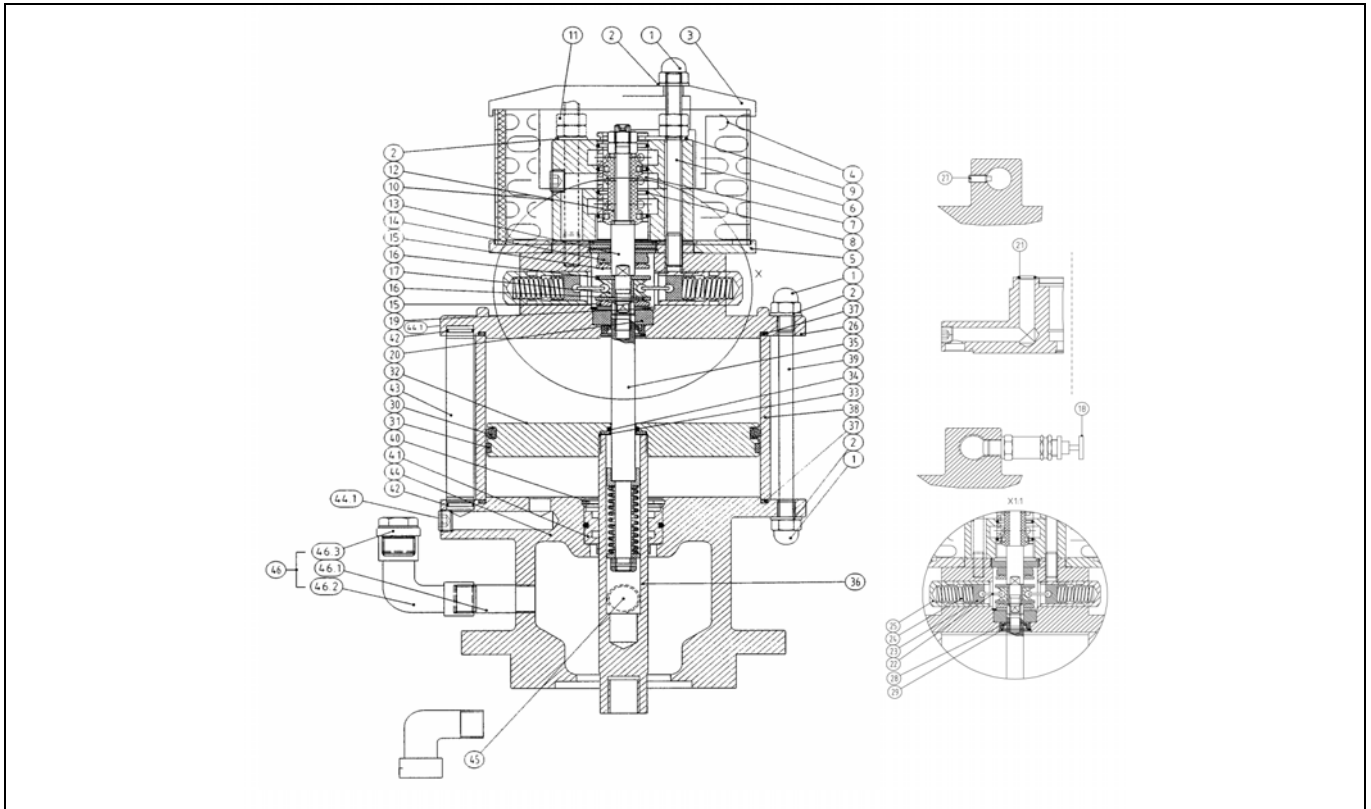
Spare parts kits

D	0114-018697	Seal kit		
R	0114-018698	Repair kit		
		Wearing part	V	

Spare parts are available in the service kits as shown.

LM140/75

Use with HP 10/32 and HP 6/60



Spare parts

Ref.	Part no.	Description	Qty	Kit
1	0114-014387	Dome nut	11	
2	0114-014165	Washer	13	
3	0114-014371	Cover	1	
4	0114-014673	Air Muffler compl.	1	
5	0114-014374	Spacer	1	
6	0114-014666	Threaded bolt	3	
7	0114-014373	Control cylinder	1	
8	0114-013954	O-ring	V 4	D/R
9	0114-014372	Safety plate	1	
10	0114-014656	Control housing compl.	1	
11	0114-014164	Nut	8	
12	0114-014388	Check piston compl.	V 1	R
13	0114-014376	Alignment insert	V 1	
14	0114-014379	Centring piece	1	
15	0114-014378	Dampening spacer	2	R
16	0114-014628	Spacer	1	
17	0114-014438	Carrier ass.	V 1	
18	0114-014715	Safety valve 8 bar (for HP 10/32)	1	
	0114-014714	Safety valve 6.5 bar (for HP 6/60)		
19	0114-014619	Retaining ring	1	R
20	0114-014618	Spacer	1	R
21	0114-014608	O-ring	3	D/R
22	0114-014305	Toggle	V 2	
23	0114-014340	Toggle bearing	V 2	
24	0114-014067	Compression spring	V 2	
25	0114-014381	Bearing bush	2	
26	0114-014661	Cylinder head	1	
27	0114-014367	Threaded pin	2	

Ref.	Part no.	Description	Qty	Kit
28	0114-014380	U-seal	V 1	D/R
29	0114-014212	Retaining ring	1	D/R
30	0114-013992	O-ring	V 1	D/R
31	0114-014383	Guide ring	1	D/R
32	0114-014382	Piston plate	1	
33	0114-014384	Spacer	1	
34	0114-014421	O-ring	V 1	D/R
35	0114-014396	Guide axle compl.	V 1	
36	0114-014395	Motor axle	V 1	
37	0114-013993	O-ring	2	D/R
38	0114-014393	Cylinder	1	
39	0114-014386	Threaded bolt	3	
40	0114-014359	Retaining ring	1	D/R
41	0114-014464	Guide bush compl.	V 1	D/R
42	0114-013957	O-ring	2	D/R
43	0114-014403	Air inlet pipe	1	
44	0114-014660	Bottom Ass	1	
44.1	0114-014657	Closing screw	2	
45	0114-013679	Elbow	1	
46	0114-014561	Filler neck compl.	1	
46.1	0114-013520	Nipple	1	
46.2	0114-013670	Elbow	1	
46.3	0114-013671	Closing screw	1	

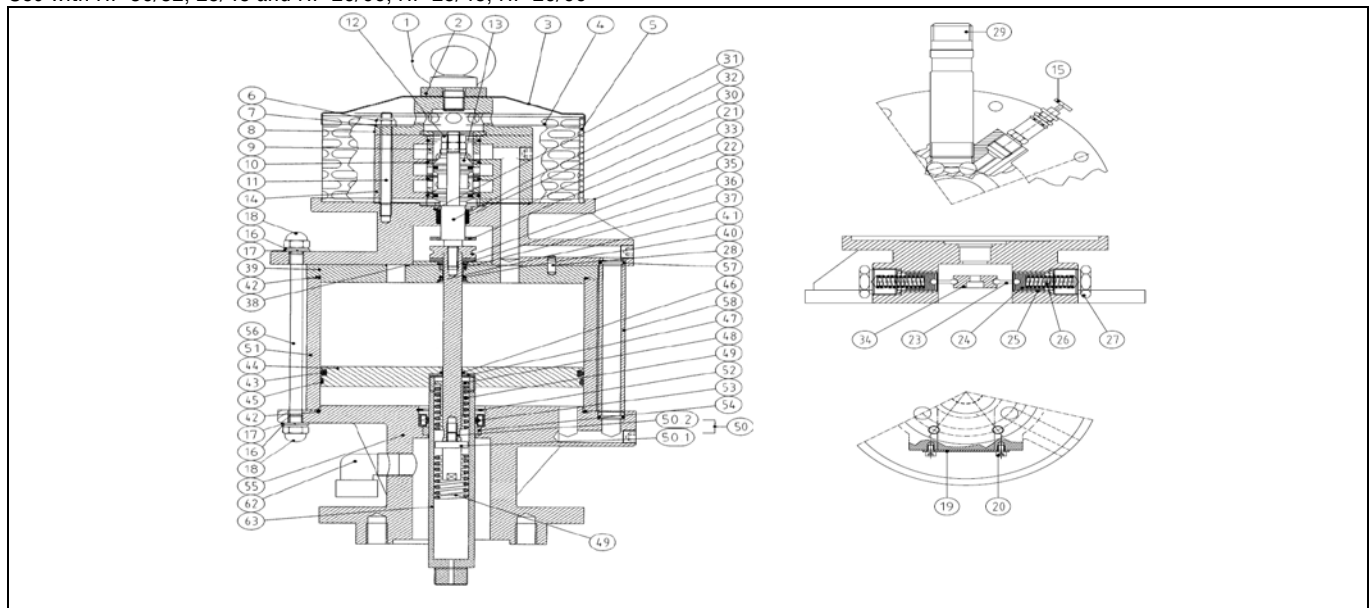
Spare parts kits

D	0114-014647	Seal kit		
R	0114-014736	Repair kit		
		Wearing part	V	

Spare parts are available in the service kits as shown.

LM200/120

Use with HP 30/32, 25/48 and HP 20/66, HP 25/48, HP 20/66



Spare parts

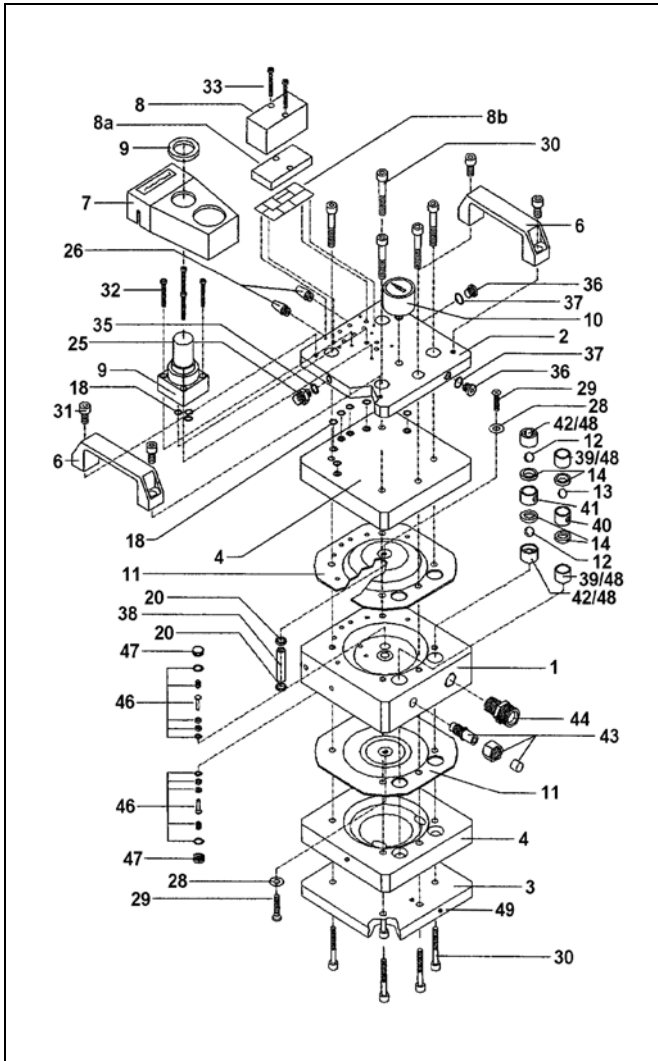
Ref.	Part no.	Description	Qty	Kit
1	0114-014205	Eyebolt	1	
2	0114-013903	Spacer	1	
3	0114-013901	Cover	1	
4	0114-013899	Perforated plate	1	
5	0114-013687	Dampening spacer	1	
6	0114-014203	Lock nut	4	D / R
7	0114-014165	Washer	4	D / R
8	0114-013876	Cap	1	
9	0114-013872	Control cylinder	1	
10	0114-013982	O-ring	V 4	D / R
11	0114-013877	Threaded bolt	4	
12	0114-014188	Nut	2	R
13	0114-013689	Check piston compl.	V 1	R
14	0114-013869	Control housing	1	
15	0114-014019	Safety valve 8 bar HP 30/32 and 25/48	1	
	0114-014018	Safety valve 6,5 bar HP 20/66	1	
16	0114-014186	Washer	16	
17	0114-014206	Spring ring	16	
18	0114-014168	Dome nut	16	
19	0114-013667	Cover	1	
20	0114-014179	Fillister head screw	2	
21	0114-013873	Housing seal	1	D / R
22	0114-013874	Cylinder head	1	
23	0114-013695	Toggle	V 2	
24	0114-013882	Toggle bearing	V 2	
25	0114-013881	Bearing bush	2	
26	0114-014134	Compression spring	V 2	R
27	0114-013879	Retaining screw	2	
28	0114-014208	Parallel pin	1	
29	0114-014449	Elongated nipple	1	
30	0114-013875	Sintered bearing	V 1	R
31	0114-014210	Retaining ring	1	R
32	0114-013921	Alignment insert	V 1	
33	0114-014142	Dampening spacer	1	R
34	0114-013878	Carrier ass.	V 1	

Ref.	Part no.	Description	Qty	Kit
35	0114-014263	Dampening spacer	1	R
36	0114-014212	Retaining ring	1	
37	0114-013886	Sintered bearing	V 1	R
38	0114-013985	O-ring	2	D / R
39	0114-013885	Plate	1	
40	0114-013978	U-seal	V 1	D / R
41	0114-014212	Retaining ring	1	D / R
42	0114-013995	O-ring	V 2	D / R
43	0114-013994	O-ring	V 1	D / R
44	0114-013889	Piston plate	1	
45	0114-014418	Guide tape	1	D / R
46	0114-013984	O-ring	V 1	D / R
47	0114-013890	Spacer	1	
48	0114-013893	Stop bush	V 1	
49	0114-014135	Compression spring	V 2	R
50	0114-013685	Guide axle compl.	V 1	
51	0114-013887	Cylinder	1	
52	0114-014204	Retaining ring	1	D / R
53	0114-013962	U-seal	V 2	D / R
54	0114-014219	Sintered bearing	V 1	R
55	0114-013897	Bottom Ass	1	
56	0114-013898	Threaded bolt	8	
57	0114-013985	O-ring Viton	V 4	D / R
58	0114-013888	Air inlet pipe	2	
62	0114-013436	Elbow	1	
63	0114-013895	Motor axle	V 1	

Spare parts kits

D	0114-013569	Seal kit		
R	0114-013574	Repair kit		
		Wearing part	V	

LUX pump



Spare parts

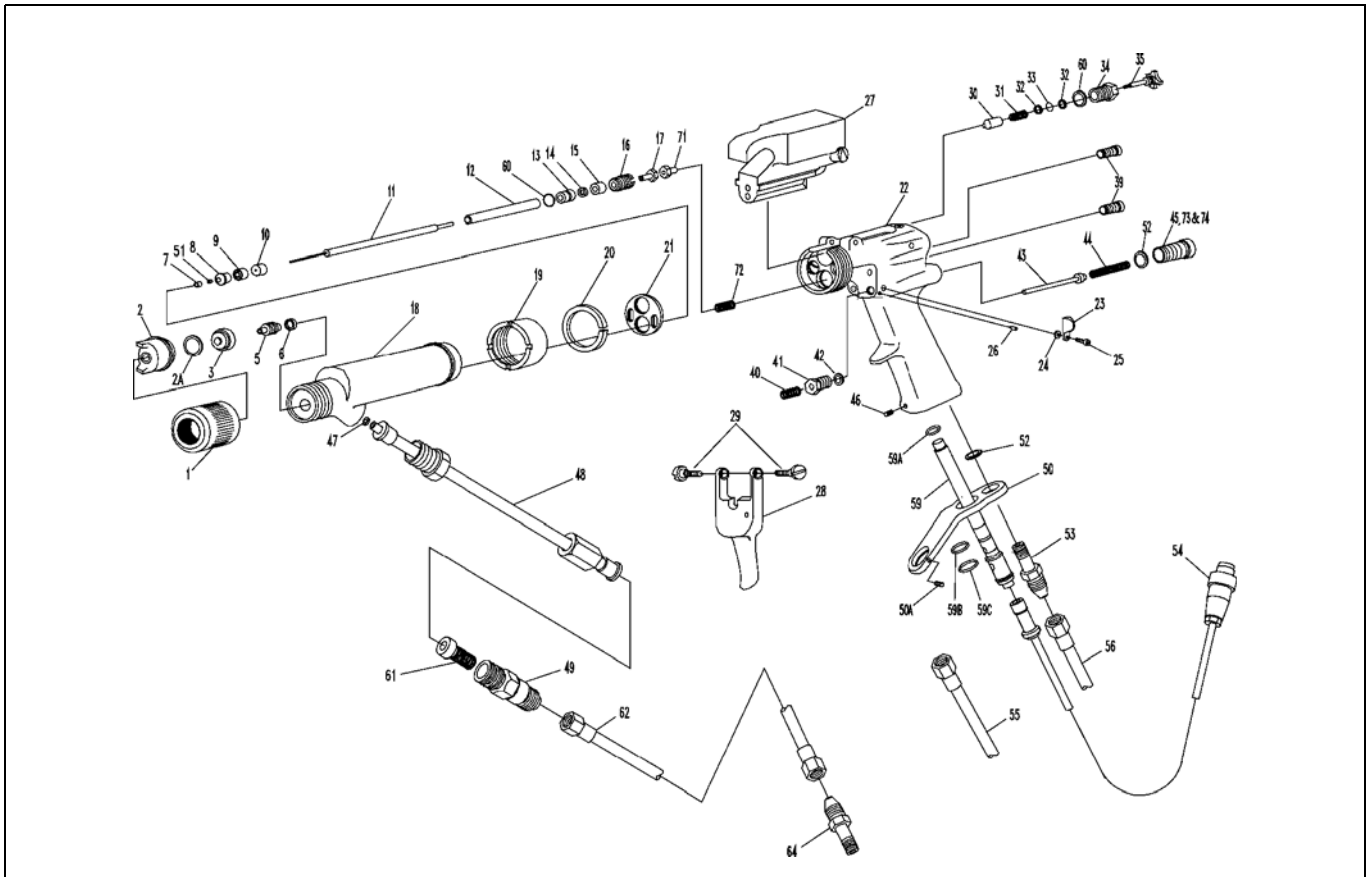
Ref.	Part no.	Description
1	F-CA-008	Housing
2	F-CA-002	Cover upper
3	F-EA-009	Couver lower
4	F-DA-025	Intermediate plate
6	ZZ-1617-D	Handle
7	F-DA-006	Cover hood
8	F-GA-042	Directional valve
8a	F-GA-027	Adapter plate
8b	F-GA-032	Seal
9	F-GA-002	Regulator
10	LUX-31	Pressure gauge
11	F-DA-007	Diaphragm
12	LUX-84	Ball 14 mm PTFE
	LUX-85	Ball 14 mm PU
13	ZZ-1618-D	Ball 16 mm PTFE
	LUX-86	Ball 16 mm PU
14	LUX-76	Valve seat
18	F-IA-004	O-ring
20	F-IA-008	Collar
25	F-GA-011	Air inlet nipple
26	ZZ-2316	Muffler
28	ZZ-1660-D	Conical spring washer

Ref.	Part no.	Description
29	F-HA-003	Clamping screw
30	F-HA-004	Screw
31	SSF-3153-ZN	Fillister head screw
32	F-HA-008	Screw
33	F-HA-007	Screw
35	F-HA-009	Gasket
36	F-HA-006	Locking screw
37	F-HA-009	Gasket
38	F-DA-015	Middle pin
39	F-EA-001	Transition bush
40	F-EA-005	Inlet bush
41	F-EA-004	Outlet bush
42	F-EA-003	Stopper bush
43	F-DA-020	Outlet nipple compl. (Removal and installation at factory only)
44	F-DA-010	Intake nipple
46	F-EA-015	Limit switch
47	F-EA-013	Pressure piece
48	F-IA-010	O-ring
49	ZZ-1612-D	Earth terminal

Accessories

LUX-432	Bypass 3/8" NPS
LUX-434	Euro cover
LUX-438	Return flow pipe
LUX-435	Intake tube
	Filter strainer 45 mesh
LUX-80	Filter strainer 90 mesh
LUX-81	Filter strainer 440 mesh
	2" container adapter
LUX-436	Intake tube for 200 l container
	Wall holder
LUX-439	Return flow hose
LUX-437	Intake hose
	Double air pressure regulator fitting
QSA-506-K	Air gear agitator
	Installation wrench for pressure piece Pos. 47
F-KA-005	Sleeve for intake strainer
F-GA-028	Adjusting knob
	Insertion tool

M90 Cascade

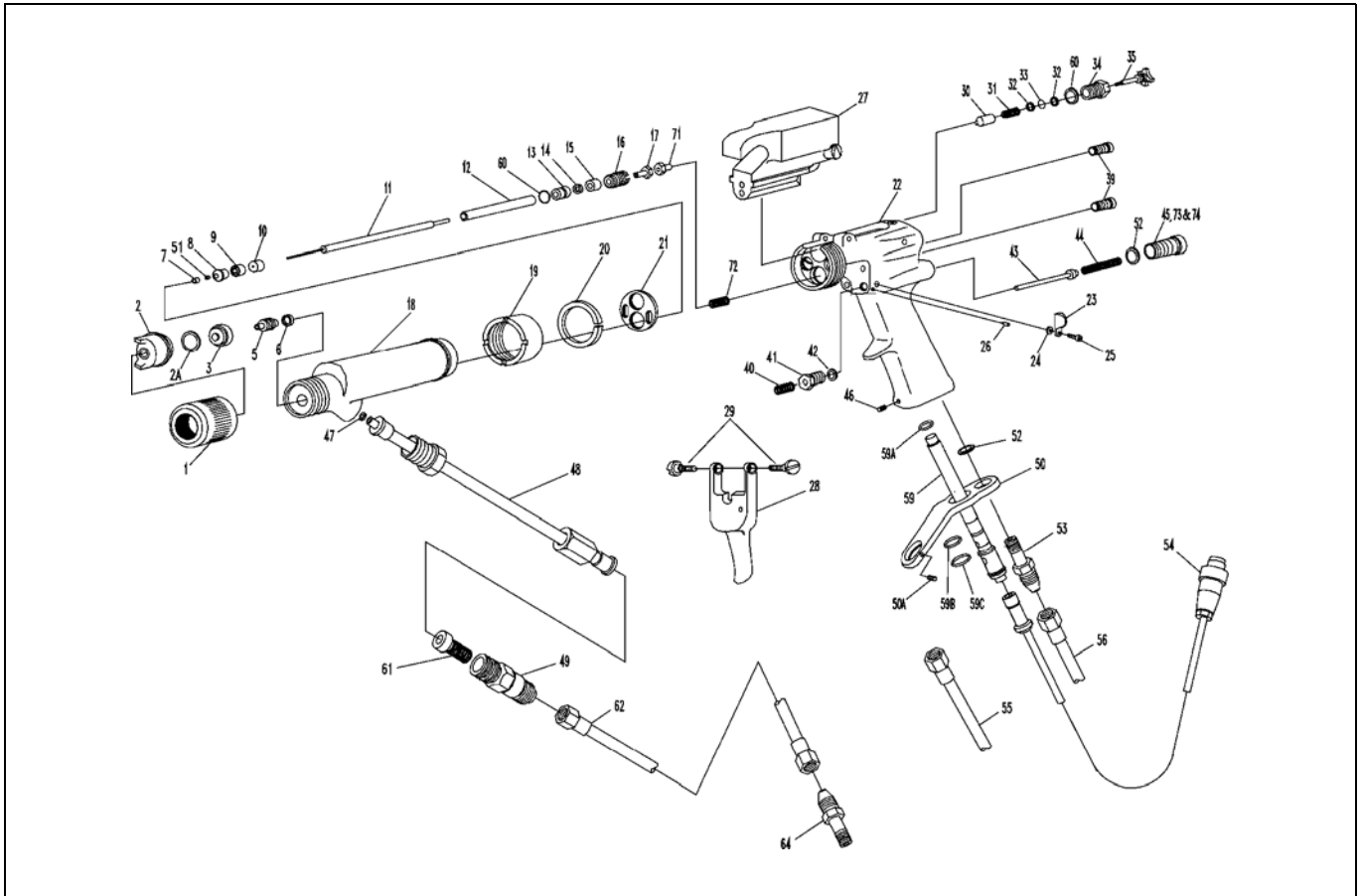


Spare parts

Ref.	Part no.	Description
1	77095-00	Retaining ring
2	78140-00	Air cap
2A	LSOR0005-11	O-ring, solvent-resistant
3	77080-xxxx	Fluid nozzle
5	75442-00	Valve seat
6	72375-03	Seal
7	73350-00	Valve ball
8	73344-00	Spreader seal
9	73345-00	Seal U-cup
10	73346-00	Pusher seal
11	73352-00	Needle shaft
12	72378-01	Tube packing
13	73347-00	Rear seal container
14	74330-00	U-cup seal
15	73348-00	Rear seal retainer
16	73354-00	Packing screw
17	78822-00	Adjusting nut
18	77082-00	Gun assembly with cascade
19	75324-00	Union nut
20	75327-00	Retaining ring
21	LREM0012-00	Gasket
22	78641-00	Handle
23	77093-00	Blade lever
24	20099-03	Spring washer
25	75389-00	Screw
26	72399-01	Pin cylinder
27	71202-01	Hook/transformers with switch

Ref.	Part no.	Description
28	18871-00	Trigger (2 finger)
29	6144-00	Shoulder screw (2 x required)
30	18852-00	Valve needle
31	18829-00	Spring
32	18833-00	Retaining washer (2 x required)
33	13076-08	O-ring, solvent-resistant
34	77019-00	Housing
35	77018-00	Adjusting screw
39	77015-00	Cap (2 x required)
40	72474-01	Spring
41	78635-00	Guide screw
42	10051-05	O-ring seal
43	79310-00	Needle
44	17130-00	Spring
45	78350-00	Tab
46	19603-10F	Screw
47	72375-02	Fluid tube seal, PTFE
48	ZZ-1141-1	Paint tube
49	11842-28	Paint fitting swivel joint
50	73753-00	Bracket
50A	19603-06F	Screw set

M90 Cascade



Spare parts

Ref.	Part no.	Description
51	73351-00	Locknut
52	7554-11	O-ring (2 x required)
53	11842-19	Air connection
54	78084-xx	Low-voltage cable compl. (for Standard 9040/MGS)
	78085-xx	Low-voltage cable compl. (for Aviator)
55	7994-xx	Fluid line assembly
56	74187-xx	Air hose (standard)
59	76875-11	Plug assembly for low voltage cable (for Standard 9040/MGS)
	76875-12	Plug assembly for low voltage cable (for Aviator)
	59A	7554-08
59B	7554-10	O-ring, solvent-resistant
59C	7554-12	O-ring, solvent-resistant
60	72209-05	O-ring (2 x required)
	7720-01-k3	Fluid filter 127 µm
61	7720-02	Fluid filter 230 µm
62	72468-00	Spring hose
64	ZZ-1146	Double nipple, (AG)
65	72468-00	Nozzle wrench (not shown)
66	19749-00	Universal wrench (not shown)
69	76428-00	Ball seat wrench (not shown)
70	20254-01	Spanner (not shown)
71	78823-00	Adjusting nut

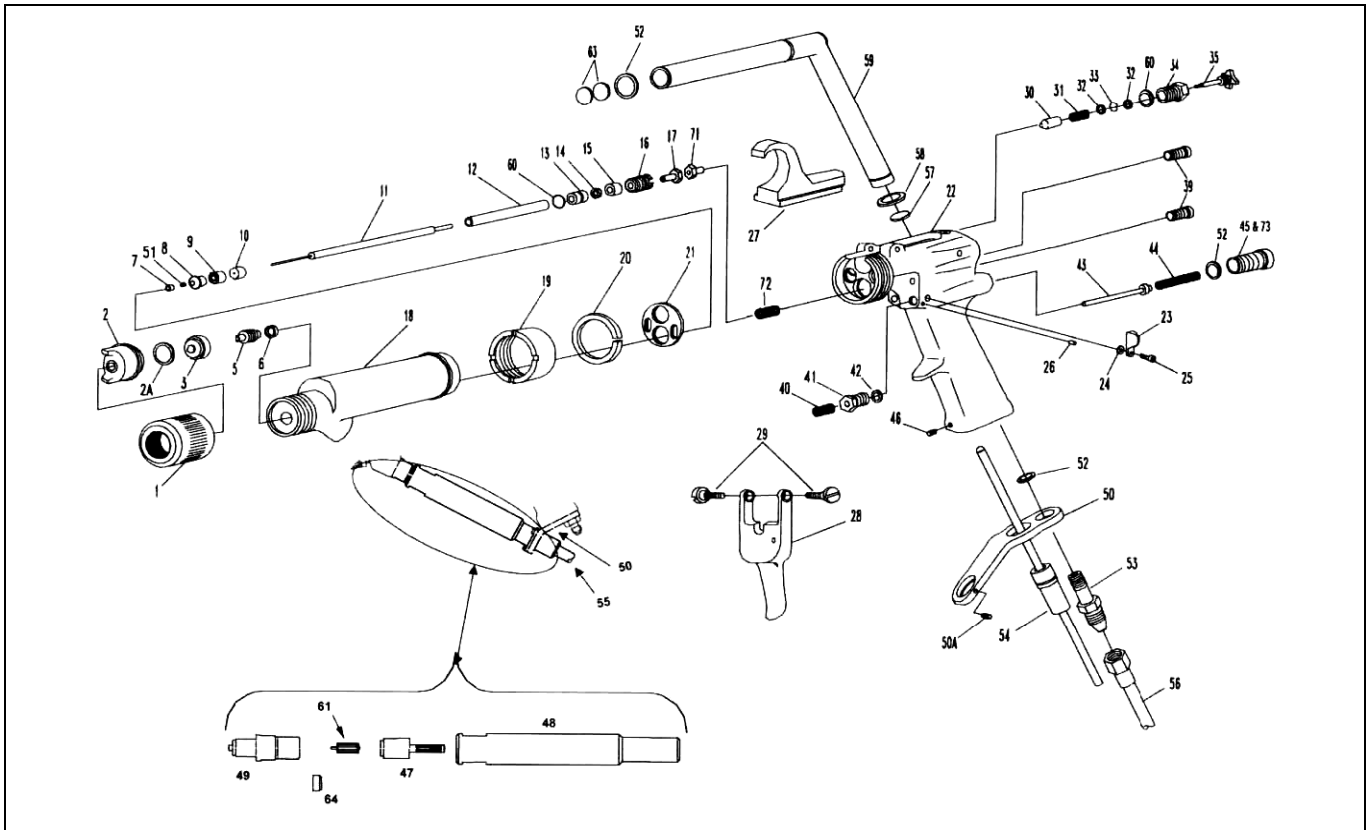
Ref.	Part no.	Description
72	78824-00	Compression spring
73	79001-14	O-ring, solvent-resistant

Accessories

76580-22001	Control unit
74188-AA	Air hose set
71202-01	Hook/transformers with switch
71202-00	Hook /transformers without switch
GC-100-K5	Protective sleeve for gun (Pack of 5)
59972-00	Cascade grease
76102-00	Gun hanger
76633-00	Conductive gloves
77136-01	Conversion kit, REM to M90
LKIT0012-02	M 90 Seal kit
LKIT0012-03	M 90 Repair kit
74147-00	Quick change connection, High pressure, 1/4" (IG)
20404-00	Quick change connection, High pressure, 1/4" (AG)
75221-00	Swivel pipe fitting High pressure, (AG)
75980S36211	Aviator, pneumatic voltage supply for cascade guns

M90 Classic

(Water-based paint)



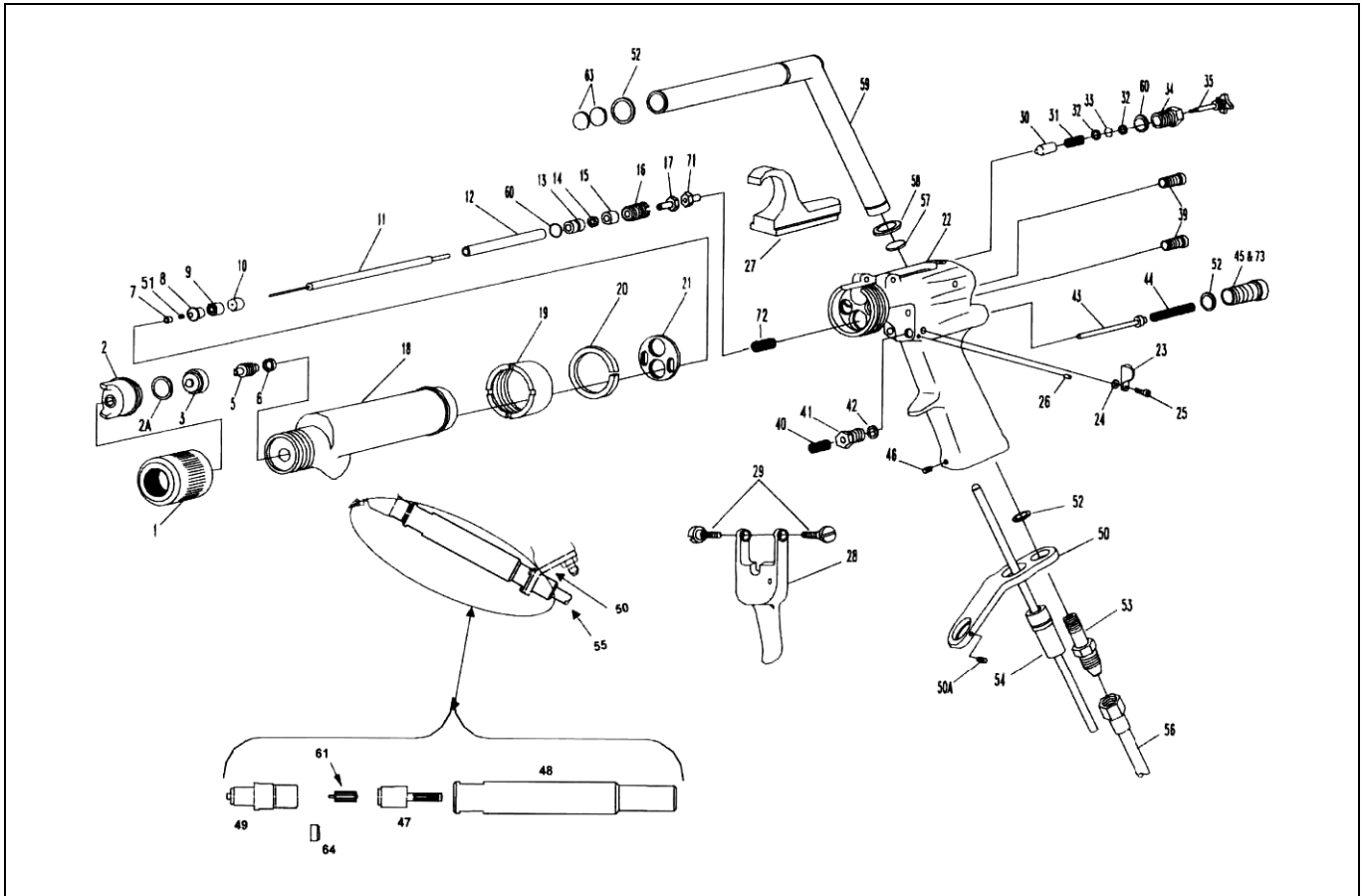
Spare parts

Ref.	Part no.	Description
1	77095-00	Retaining ring
	72353-00	Retaining ring, optional
2	78140-00	Air cap, standard
	77076-00-S	Air cap, optional
	72371-00	Air cap, optional
2A	LSOR0005	O-ring, solvent-resistant
3	77080-xxxx	Fluid nozzle
	11843-xxxx	Fluid nozzle - REM Classic
5	75442-00	Valve screw, standard
	509206	Valve screw, optional
6	72375-03	Seal
7	73350-00	Valve ball
8	73344-00	Spreader seal
9	73345-00	Seal U-cap
10	73346-00	Pusher seal
11	73352-00	Needle shaft
12	72378-01	Tube packing
13	73347-00	Rear seal
14	74330-00	U-cup seal
15	73348-00	Rear retainer
16	73354-00	Packing nut
17	78822-00	Barrel retainer nut
18	77133-00	Gun assembly
19	75324-00	Union nut
20	75327-00	Retaining ring
21	LREM0012-00	Gasket
22	78641-00	Handle
23	77093-00	Blade lever

Ref.	Part no.	Description
24	20099-03	Spring washer
25	75389-00	Screw
26	72399-01	Pin cylinder
27	18824-00	Hook
28	18871-00	Trigger (2 finger)
29	6144-00	Shoulder screw (2 x required)
30	78788-00	Valve needle
31	18829-00	Spring
32	18833-00	Retaining washer (2 x required)
33	13076-08	O-ring, solvent-resistant
34	77019-00	Guide screw
35	77018-00	Adjusting screw
39	77015-00	Cap (2 x required)
40	72474-01	Spring
41	78635-00	Guide screw
42	10051-05	O-ring seal
43	79310-00	Needle
44	18130-00	Spring
45	79317-00	Cap
46	19603-16F	Set screw handle
47	ZZ-1142	Filter housing

M90 Classic

(Water-based paint)



Spare parts

Ref.	Part no.	Description
48	ZZ-1141	Paint tube
49	ZZ-1143	Adapter
50	ZZ-1145	Bracket
50A	19603-06F	Screw set
51	73351-00	Locknut
52	7554-11	O-ring (2 x required)
53	11842-19	Air connection
54	LREA4003-xx	High-voltage cable (for Standard 9040)
	HD-528N-4	Paint hose (yard ware)
55	ZZ-1144	Clamp for paint hose
	M90-1112	Conductive hose (yard ware)
56	74187-xx	Air hose (Standard)
57	14061-01	Contact sponge
58	7554-10	O-ring
59	70397-02	Resistance housing
60	72209-05	O-ring (2 x required)
61	7720-01-k3	Fluid filter 127 µm
	7720-02	Fluid filter 230 µm
62	72468-00	Nozzle wrench
63	14061-05	Contact sponge (2 x required)
64	ZZ-1146	Conical gasket
65	72468-00	Nozzle wrench (not shown)

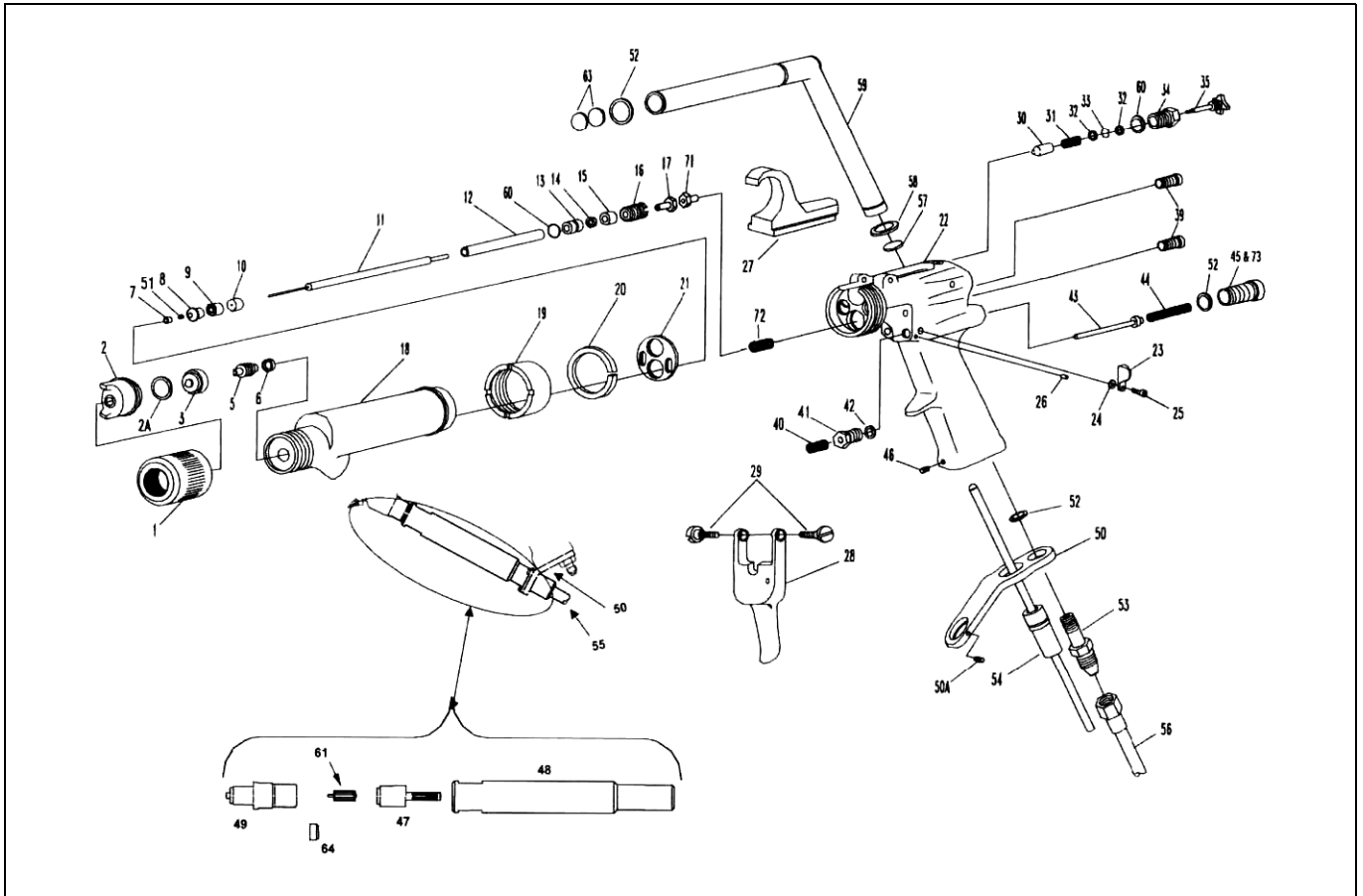
Ref.	Part no.	Description
66	19749-00	Universal wrench (not shown)
69	76428-00	Nozzle wrench (not shown)
70	20254-01	Spanner (not shown)
71	78823-00	Adjusting nut
72	78824-00	Compression spring
73	79001-14	O-ring, solvent-resistant

Accessories

Ref.	Part no.	Description	
	77070-35-1	High-voltage generator	p.o.a.
	74187	Air hose set	p.o.a.
	14490-00	Air filter set	p.o.a.
	GC-100-K5	Protective sleeve for gun (Pack of 5)	£26.60
	59972-00	Cascade grease	£38.60
	76102-00	Gun hanger	£208.00
	76633-00	Conductive gloves	£32.80
	LKIT0012-02	M 90 Seal kit	p.o.a.
	LKIT0012-03	M 90 Repair kit	p.o.a.

M90 Classic

(Water-based paint)



Spare parts

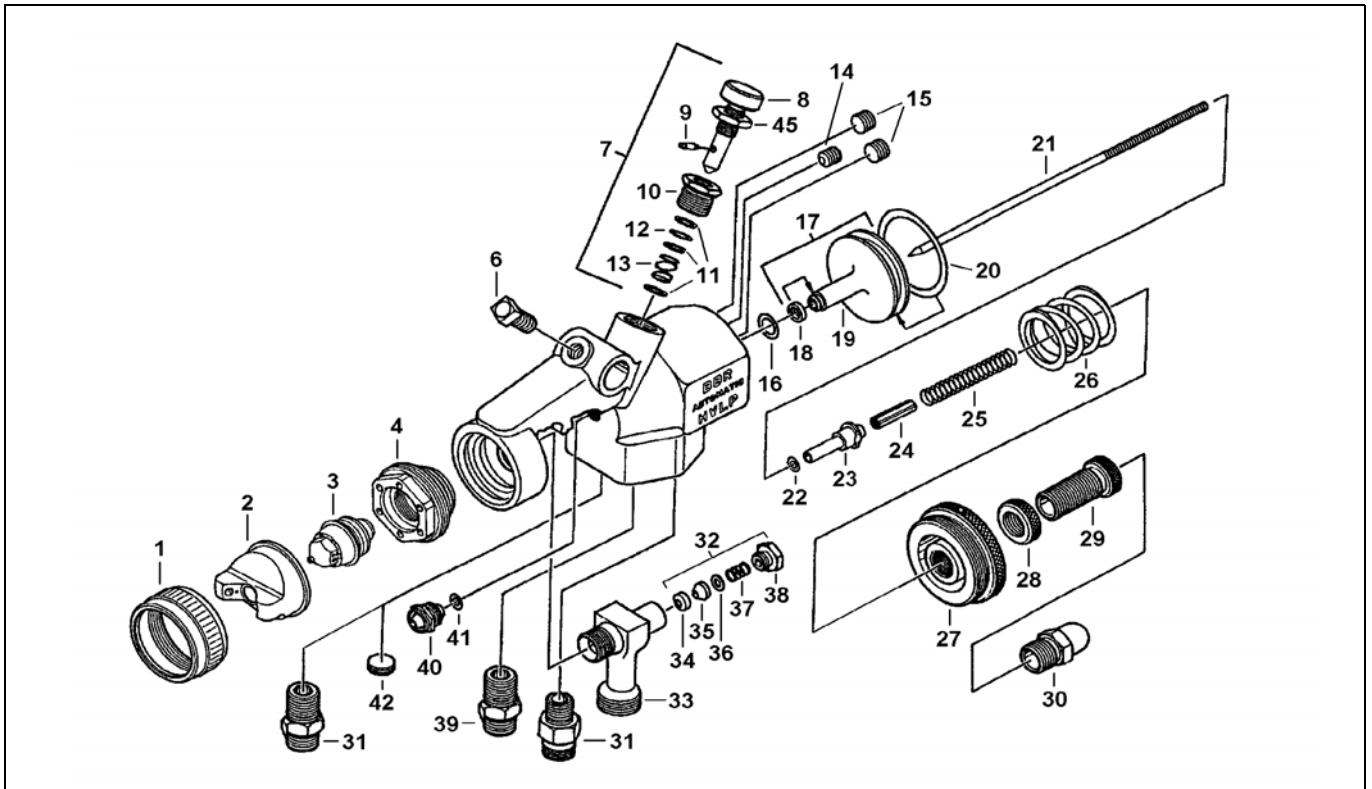
Ref.	Part no.	Description
48	ZZ-1141	Paint tube
49	ZZ-1143	Adapter
50	ZZ-1145	Bracket
50A	19603-06F	Screw set
51	73351-00	Locknut
52	7554-11	O-ring (2 x required)
53	11842-19	Air connection
54	LREA4003-xx	High-voltage cable (for Standard 9040)
	HD-528N-4	Paint hose (yard ware)
55	ZZ-1144	Clamp for paint hose
	M90-1112	Conductive hose (yard ware)
56	74187-xx	Air hose (Standard)
57	14061-01	Contact sponge
58	7554-10	O-ring
59	70397-02	Resistance housing
60	72209-05	O-ring (2 x required)
	7720-01-k3	Fluid filter 127 µm
	7720-02	Fluid filter 230 µm
62	72468-00	Nozzle wrench
63	14061-05	Contact sponge (2 x required)
64	ZZ-1146	Conical gasket
65	72468-00	Nozzle wrench (not shown)

Ref.	Part no.	Description
66	19749-00	Universal wrench (not shown)
69	76428-00	Nozzle wrench (not shown)
70	20254-01	Spanner (not shown)
71	78823-00	Adjusting nut
72	78824-00	Compression spring
73	79001-14	O-ring, solvent-resistant

Accessories

Ref.	Part no.	Description	
	77070-35-1	High-voltage generator	p.o.a.
	74187	Air hose set	p.o.a.
	14490-00	Air filter set	p.o.a.
	GC-100-K5	Protective sleeve for gun (Pack of 5)	£26.60
	59972-00	Cascade grease	£38.60
	76102-00	Gun hanger	£208.00
	76633-00	Conductive gloves	£32.80
	LKIT0012-02	M 90 Seal kit	p.o.a.
	LKIT0012-03	M 90 Repair kit	p.o.a.

MACH1A



Spare parts

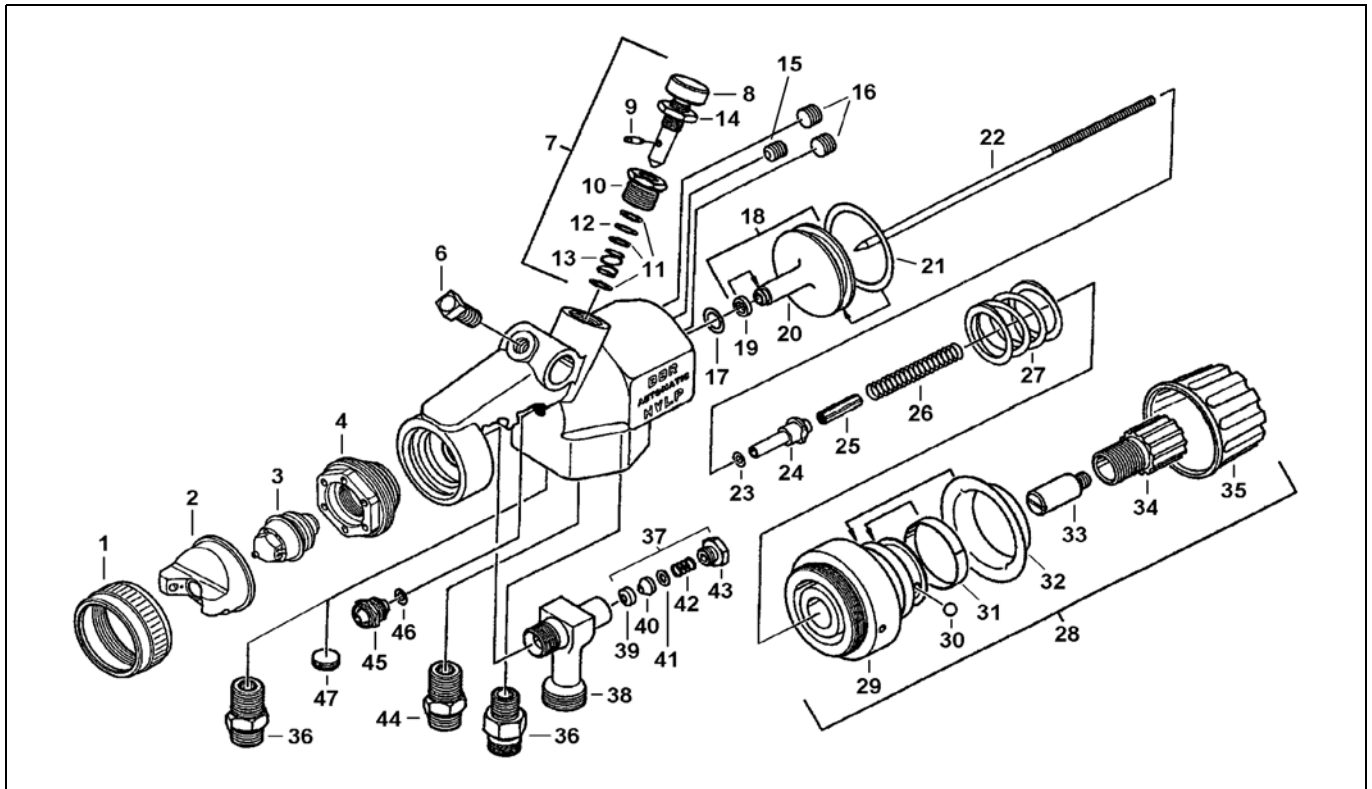
Ref.	Part no.	Description
1	54-3531	Retaining ring
2	46-9500	Air cap 95P
3	45-9200	Nozzle 1.2 mm
4	54-3543	Head insert
6	20-1359	Screw
7	54-3720	Jet regulator
8	54-3721	Spindle
9	31-258	Locking pin
10	31-256	Insert
11	31-259	Disc
12	20-3620-5	O-ring
13	31-241	Spring
14	20-5589	Plug
15	20-5692	Plug
16	20-5286	O-ring
17	54-3706	Piston unit
18	54-3729	O-ring
19	54-3722	Piston
20	20-4511	O-ring
21	47-478	Needle
22	20-3515-5	O-ring
23	54-3713	Needle body
24	54-3709	Lock nut
25	54-3719	Spring
26	54-3707	Spring
27	54-3708	End cap

Ref.	Part no.	Description
28	54-3732	Lock nut
29	54-3731	Control knob
30	54-3715	Needle cap
31	71-28	Air inlet 1/4" NPS
32	54-4261	Packing, compl.
33	54-3533	Material inlet
34	54-4264	Packing
35	54-4265	Needle seal
36	54-4266	Disc
37	54-4267	Spring
38	54-4263	Packing screw
39	57-13	Nipple 1/4" NPS
40	54-3716	Air valve
41	20-3859-5	O-ring
42	20-2287-1	Plug
45	54-4269	Nut

Accessories

54-3980	Repair kit
54-3918	Gun spanner
82-469	Cleaning brush
6-428	Gun oil (75 ml)
54-3935	Test air cap
54-380	Gun holder
54-3691	Gun cover (Pack of 20)

MACH1AR



Spare parts

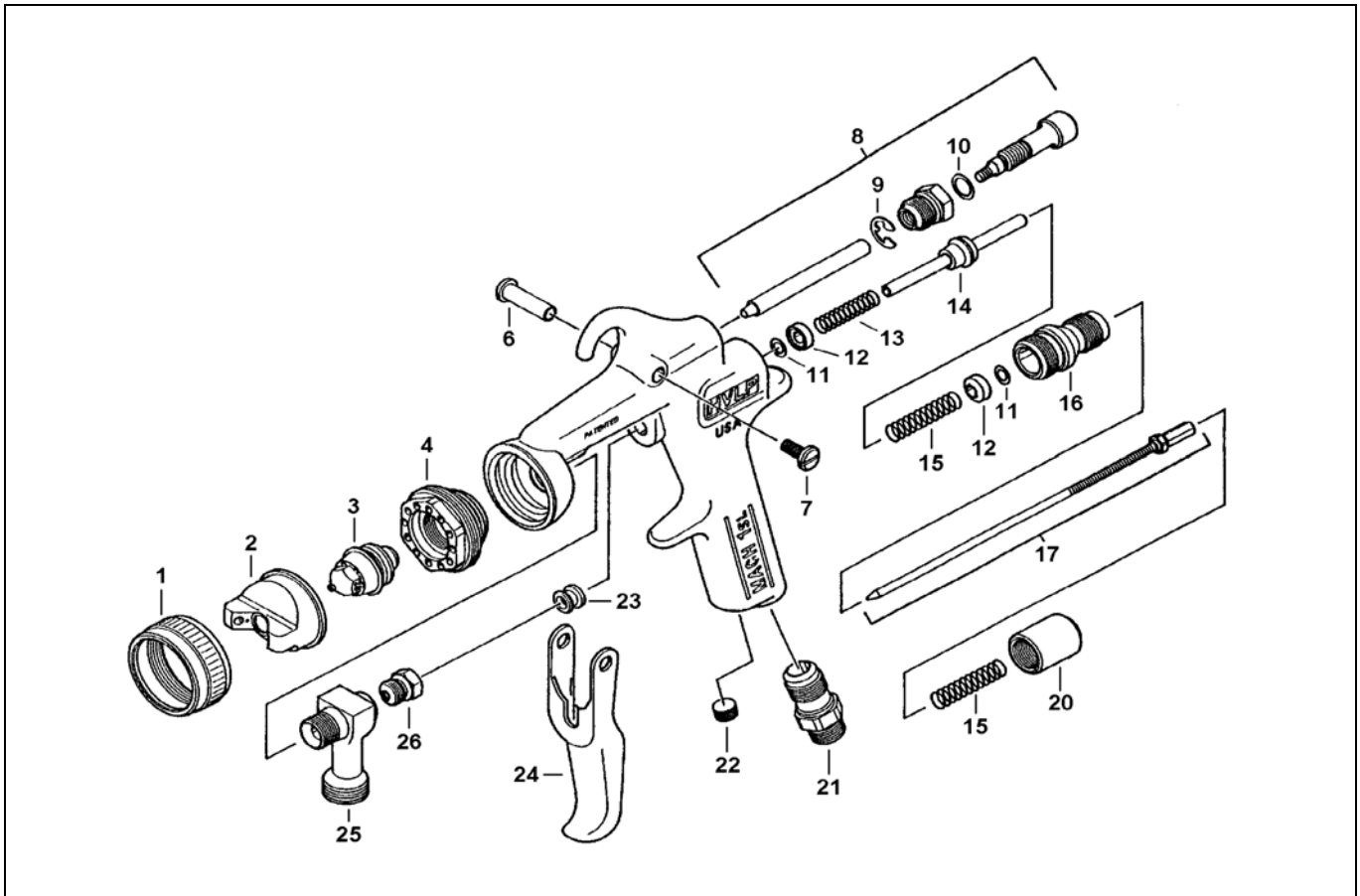
Ref.	Part no.	Description
1	54-3531	Retaining ring
2	46-9500	Air cap 95P
3	45-9200	Nozzle 1.2 mm
4	54-3543	Head insert
6	20-1359	Screw
7	54-3720	Jet regulator
8	54-3721	Spindle
9	31-258	Locking pin
10	31-256	Insert
11	31-259	Disc
12	20-3620-5	O-ring
13	31-241	Spring
14	54-4269	Nut
15	20-5589	Plug
16	20-5692	Plug
17	20-5286	O-ring
18	54-3706	Piston unit
19	54-3729	O-ring
20	54-3722	Piston
21	20-4511	O-ring
22	47-478	Needle
23	20-3515-5	O-ring
24	54-3713	Needle body
25	54-3709	Lock nut
26	54-1697-5	Spring
27	54-1876	Spring
28	54-3582	Adjusting unit
29	54-3584	Housing
30	20-2183	Ball
31	54-1878	Spring
32	54-1870	Indicator ring
33	54-3583	Screw
34	54-1879	Ratchet
35	54-1984	Adjusting cap
36	71-28	Air inlet 1/4" NPS
37	54-4261	Packing, compl.
38	54-3533	Material inlet
39	54-4264	Packing
40	54-4265	Needle seal
41	54-4266	Disc
42	54-4267	Spring
43	54-4263	Packing screw
44	57-13	Nipple 1/4" NPS
45	54-3716	Air valve
46	20-3859-5	O-ring
47	20-2287-1	Plug

Ref.	Part no.	Description
30	20-2183	Ball
31	54-1878	Spring
32	54-1870	Indicator ring
33	54-3583	Screw
34	54-1879	Ratchet
35	54-1984	Adjusting cap
36	71-28	Air inlet 1/4" NPS
37	54-4261	Packing, compl.
38	54-3533	Material inlet
39	54-4264	Packing
40	54-4265	Needle seal
41	54-4266	Disc
42	54-4267	Spring
43	54-4263	Packing screw
44	57-13	Nipple 1/4" NPS
45	54-3716	Air valve
46	20-3859-5	O-ring
47	20-2287-1	Plug

Accessories

54-3980	Repair kit
54-3918	Gun spanner
82-469	Cleaning brush
6-428	Gun oil (75 ml)
54-3935	Test air cap
54-380	Gun holder
54-3691	Gun cover (Pack of 20)

MACH1SL



Spare parts

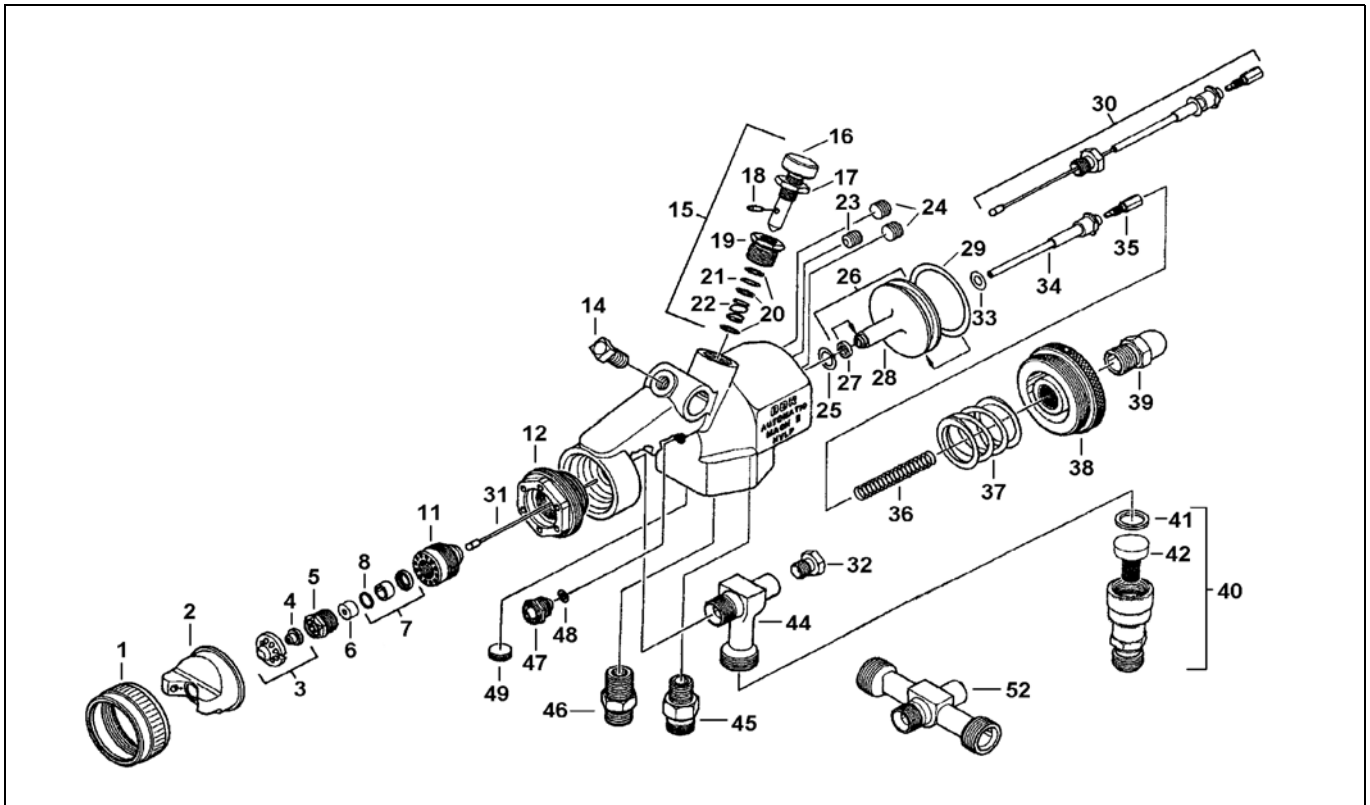
Ref.	Part no.	Description
1	54-4318	Retaining ring
2	46-9300	Air cap 93P
3	45-9100	Nozzle 1.0 mm
4	54-3543	Insert
6	54-4359	Pin
7	82-126	Screw
8	54-4343	Jet regulator
9	54-3511	Retaining ring
10	20-6160	O-ring
11	20-4615-5	O-ring
12	54-3515	Seal retainer housing
13	54-3520	Spring
14	54-3512	Spindle unit
15	54-3518	Spring
16	54-3541	Housing
17	54-4382	Needle

Ref.	Part no.	Description
20	54-4297	Adjusting screw
21	54-768	Air connection 1/4"
22	20-2287-1	Plug
23	54-3513	Valve cap
24	54-4360	Trigger
25	54-3742	Material inlet 3/8"
26	54-4370	Packing screw

Accessories

54-4440	Jet regulator pencil/fan jet
54-4278	Repair kit
54-4356	Test air cap
54-4133	Cleaning paintbrush
82-469	Cleaning brush
54-3918	Gun spanner

MACH2A



Spare parts

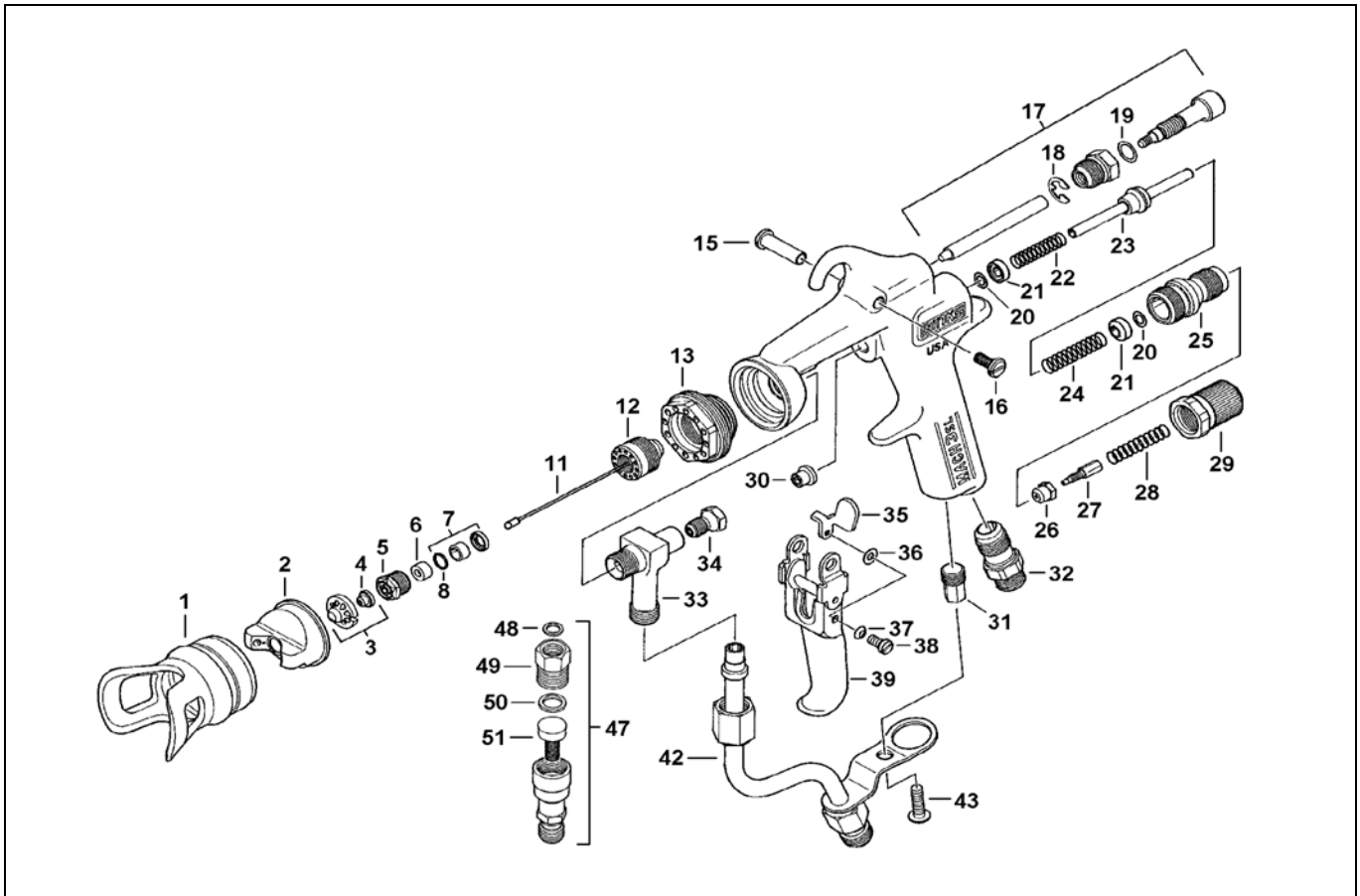
Ref.	Part no.	Description
1	54-3531	Retaining ring
2	46-9509	Air cap 95HA
3	110-1314	Nozzle* (standard)
4	54-3745-5	Nozzle seal (Pack of 5)
5	54-3779	Seat holder
6	54-3733	Seat
7	54-3780	Seal kit
8	54-3791	O-ring
11	54-3778	Nozzle body
12	54-3543	Body insert
14	20-1359	Screw
15	54-3720	Jet regulating valve compl.
16	54-3721	Spindle
17	54-4269	Nut
18	31-258	Retaining ring
19	31-256	Valve guide
20	31-259	Disc
21	20-3620-5	O-ring
22	31-241	Valve spring
23	54-3987	Plug
24	54-3988	Plug
25	20-5286	O-ring
26	54-3706	Piston
27	54-3729	Seal
28	54-3722	Piston
29	20-4511	O-ring
30	54-4410	Needle unit compl.
31	54-3640	Needle

Ref.	Part no.	Description
32	54-3635	Packing screw
33	20-3515-5	O-ring
34	54-3734	Needle body
35	54-3524	Clamping piece
36	54-3719	Spring
37	54-3707	Spring
38	54-3708	End cap
39	54-3715	Cap
40	54-3646	Filter, compl.
41	54-3648	Seal
42	54-1836	Filter 60 mesh
	54-1835	Filter 100 mesh
44	54-3743	Material inlet
45	71-28	Double nipple
46	57-13	Double nipple
47	54-3716	Air valve
48	20-3859-5	O-ring
49	20-2287-1	Plug
52	54-4407	Material inlet for circulation (option)

Accessories

54-4405	Repair kit
54-3918	Gun spanner
82-469	Cleaning brush
54-4270	Needle guard

MACH3SL



Spare parts

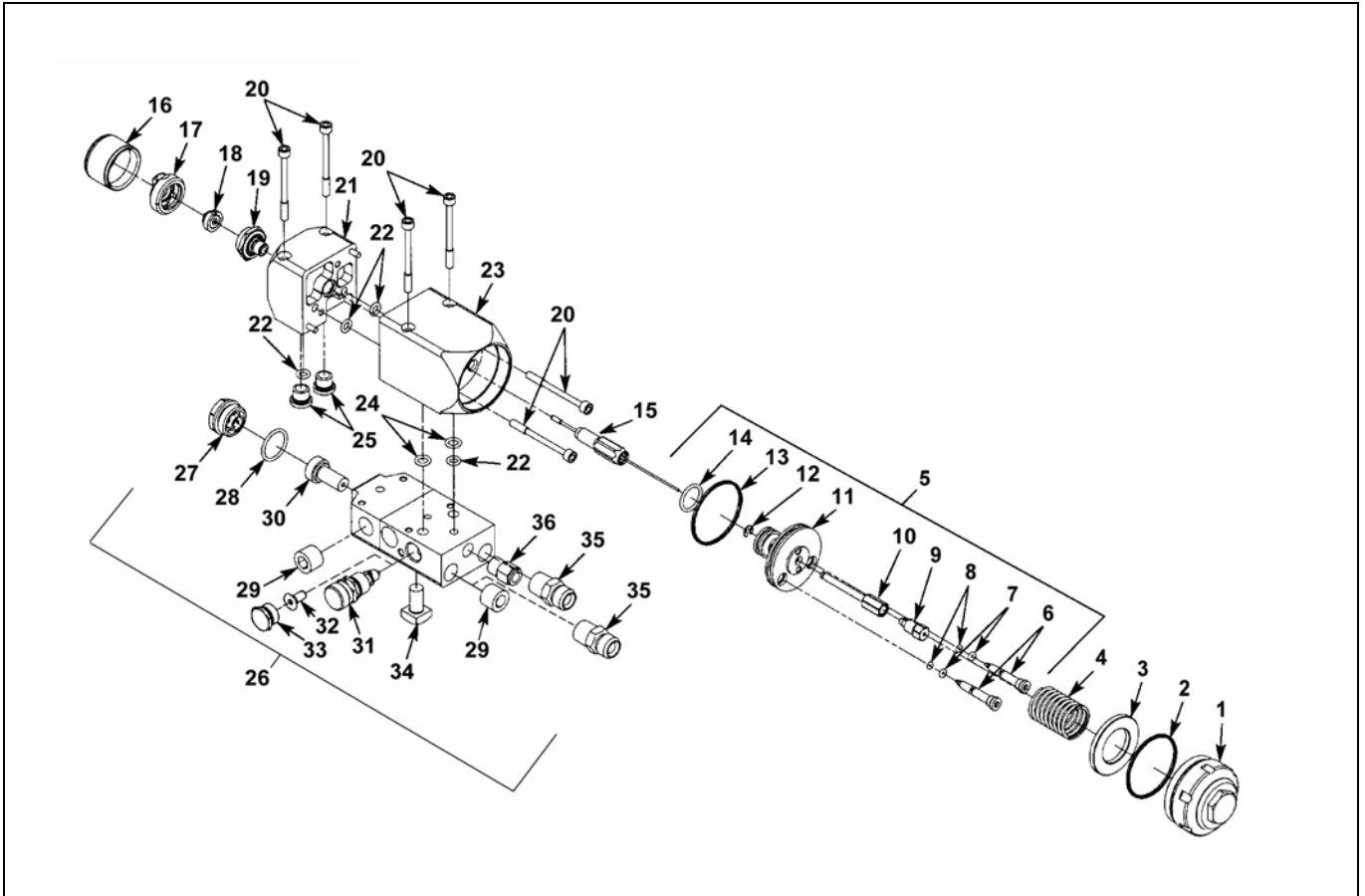
Ref.	Part no.	Description
1	54-3753	Protective cap unit
2	46-9509	Air cap 95HA
3	110-1314	Nozzle (standard)
4	54-3745-5	Nozzle seal (Pack of 5)
5	54-3779	Seat holder
6	54-3733	Seat
7	54-3780	Seal kit
8	54-3791	O-ring
11	54-3640	Needle
12	54-3778	Nozzle body
13	54-3543	Insert
15	54-4359	Pin
16	82-126	Screw
17	54-3628	Jet regulator
18	54-3511	Retaining ring
19	20-6160	O-ring
20	20-4615-5	O-ring
21	54-3515	Seal retainer housing
22	54-3520	Spring (yellow)
23	54-3512	Spindle unit
24	54-3518	Spring (blue)
25	54-3541	Housing
26	54-3523	Safety clamp
27	54-3524	Clamping pin
28	54-3639	Spring (red)

Ref.	Part no.	Description
29	54-3542	Adjusting screw
30	54-3769	Cap
31	54-3737	Plug
32	54-768	Air connection
33	54-3744	Material inlet
34	54-3635	Packing cartridge
35	54-3552	Securing lever
36	54-3560	Disc
37	54-3553	Spring disc
38	20-5928	Screw
39	54-3765	Trigger
42	54-3642	Material riser
43	20-6606	Screw

Accessories

47	54-3643	Filter, compl. 100 mesh
48	54-3644	Filter seal
49	72-54	Adapter
50	54-3648	Gasket
51	54-1836	Filter insert 60 mesh
	54-1835	Filter insert 100 mesh
	54-3645	Repair kit
	54-3918	Gun spanner
	82-469	Cleaning brush

MAG AA (AAA)



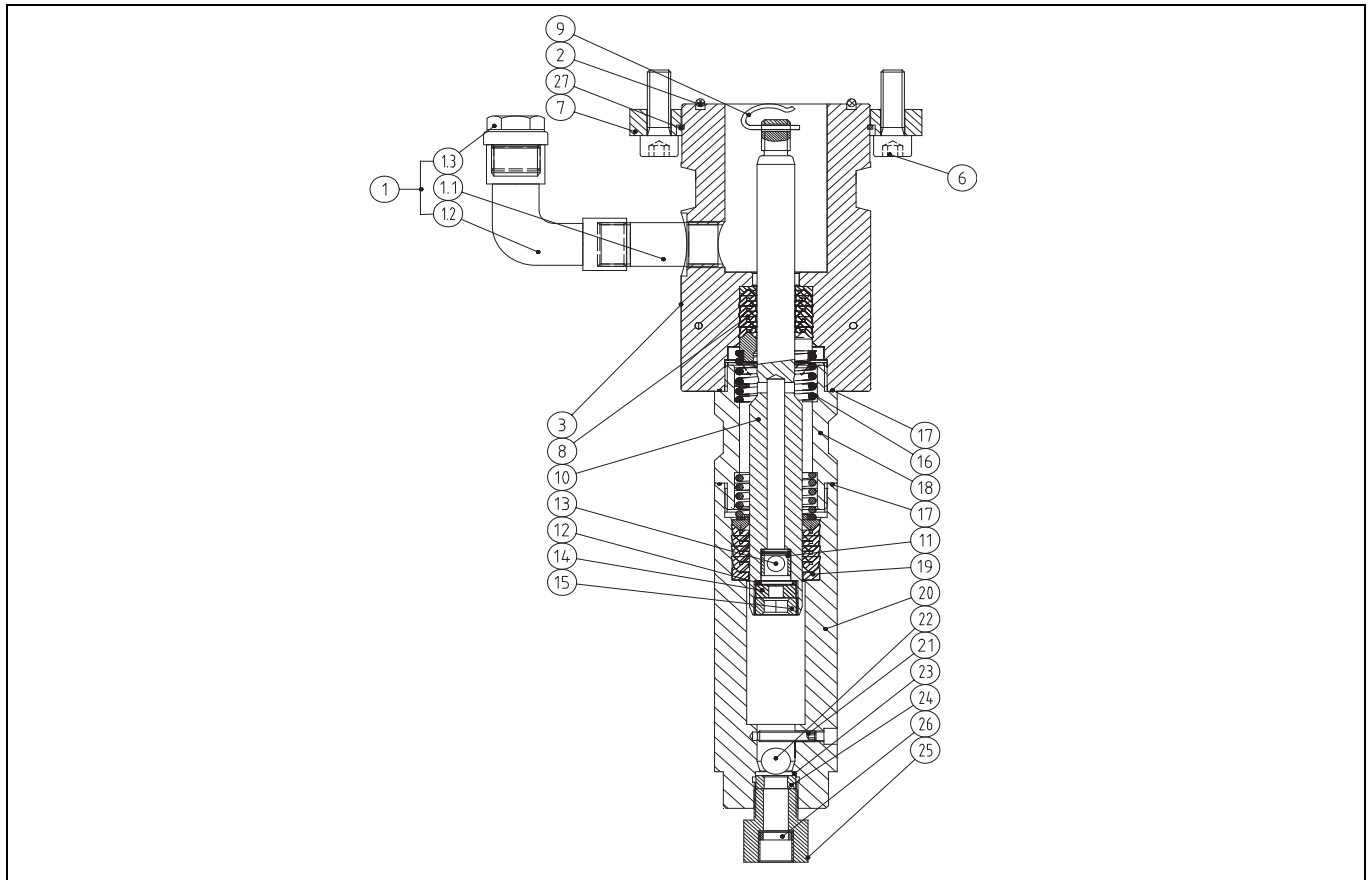
Spare parts

Ref.	Part no.	Description
1	54-5330	End cap
2	20-6783	O-ring Viton
3	54-5331	Piston impact ring
4	54-5332	Piston, return spring
5	54-5315	Piston assembly
6	54-5318	Atomizing air valve
7	20-6785	O-ring Viton
8	20-6786	O-ring Viton
9	54-5316	Collet, lock nut
10	54-5317	Wire collet
11	54-5320	Piston body
12	20-6757	Retentive ring
13	20-6783	O-ring Viton, same as Pos. 2
14	20-6784	O-ring Viton
15	54-5310	Fluid cartridge assembly
15a	54-5312	Wire-Ball Assembly
15b	54-4962	Rear Packing Assembly
16	54-4955	Air nozzle, retaining ring
	54-5345	Air cap AA10HP (standard)
17	54-4980	Air cap AA2
	54-4978	Air cap AA4
18	Nozzle	Table
19	54-4926	Needle seat compl. (UHMW)optional (54-4960) hard metal
19a	20-6037-K10	O-ring PTFE
20	54-5333-6	Retaining screw

Ref.	Part no.	Description
21	54-5325	Gun head compl.
22	20-4615-5	O-ring, PTFE
23	54-5324	Automatic piston housing
24	20-3467	O-ring, PTFE
25	54-5326	Material distributor, outlet screw
26	54-5335	Air/material inlet adapter compl.
27	54-5340	Filter holder compl.
28	20-5921	O-ring, PTFE
29	20-6131	Hexagon plug 1/4" NPT
30	54-1835	Filter compl., 100 Mesh
31	54-3720	Side port control assembly
32	20-6748	Screw
33	102-2839	Plug, side outlet
34	20-1359-1	Screw
35a	57-13	Nipple 1/4" NPS x 1/4" NPT
35b	57-13	Optional structure (same as Pos. 35 a)
36	54-4945-10	Pipe nipple 1/8" NPT x 1/4
37	20-6782	Allen Skt HD 8-32 x 1-3/4 Lg

MP11/42

Use with HP 3/28



Spare parts

Ref.	Part no.	Description	Qty	Kit
1	0114-014561	Filler neck compl.		
1.1	0114-016102	O-ring	1	
2	0114-014006	O-ring	1	D / R
3	0114-014509	High-pressure head	1	
4	0114-014750	Check valve compl.	1	
5	0114-013952	Seal	1	D / R
6	0114-014199	Screw	4	
7	0114-014314	Locking ring	1	
8	0114-014491	Packing, upper, PTFE/Leather	V 1	R
opt.	0114-016003	Packing, upper, PTFE	V 1	R
opt.	0114-016281	Packing, upper, PTFE (glassfilled/graphite)/Leather	V 1	R
opt.	0114-016277	Packing, upper, PTFE (glassfilled/graphite)	V 1	
9	0114-014161	Stop spring	1	R
10	0114-014344	Double piston	V 1	
11	0114-014508	Ball stop	1	R
12	0114-014527	Seal	1	D / R
13	0114-014745	Ball 6mm	V 1	R
14	0114-014034	Valve plate	V 1	
15	0114-013863	Screw	1	
16	0114-014480	Compression spring	2	
17	0114-011284	O-ring	2	D / R
18	0114-011581	Spring housing	1	
19	0114-014493	Packing, upper, PTFE/Leather	V 1	R

Ref.	Part no.	Description	Qty	Kit
opt.	0114-016004	Packing, upper, PTFE	V 1	R
opt.	0114-016282	Packing, upper, PTFE (glassfilled/graphite)/Leather	V 1	
opt.	0114-016280	Packing, upper, PTFE (glassfilled/graphite)	V 1	
20	0114-011582	Pressure cylinder	1	
21	0114-014594	Threaded pin	1	
22	0114-014022	Ball 10 mm	V 1	R
23	0114-014527	Seal	1	D / R
24	0114-014035	Valve plate	V 1	
25	0114-014525	Screw	1	
26	0114-014463	Seal	1	D / R
27	0114-014364	Snap ring	1	R

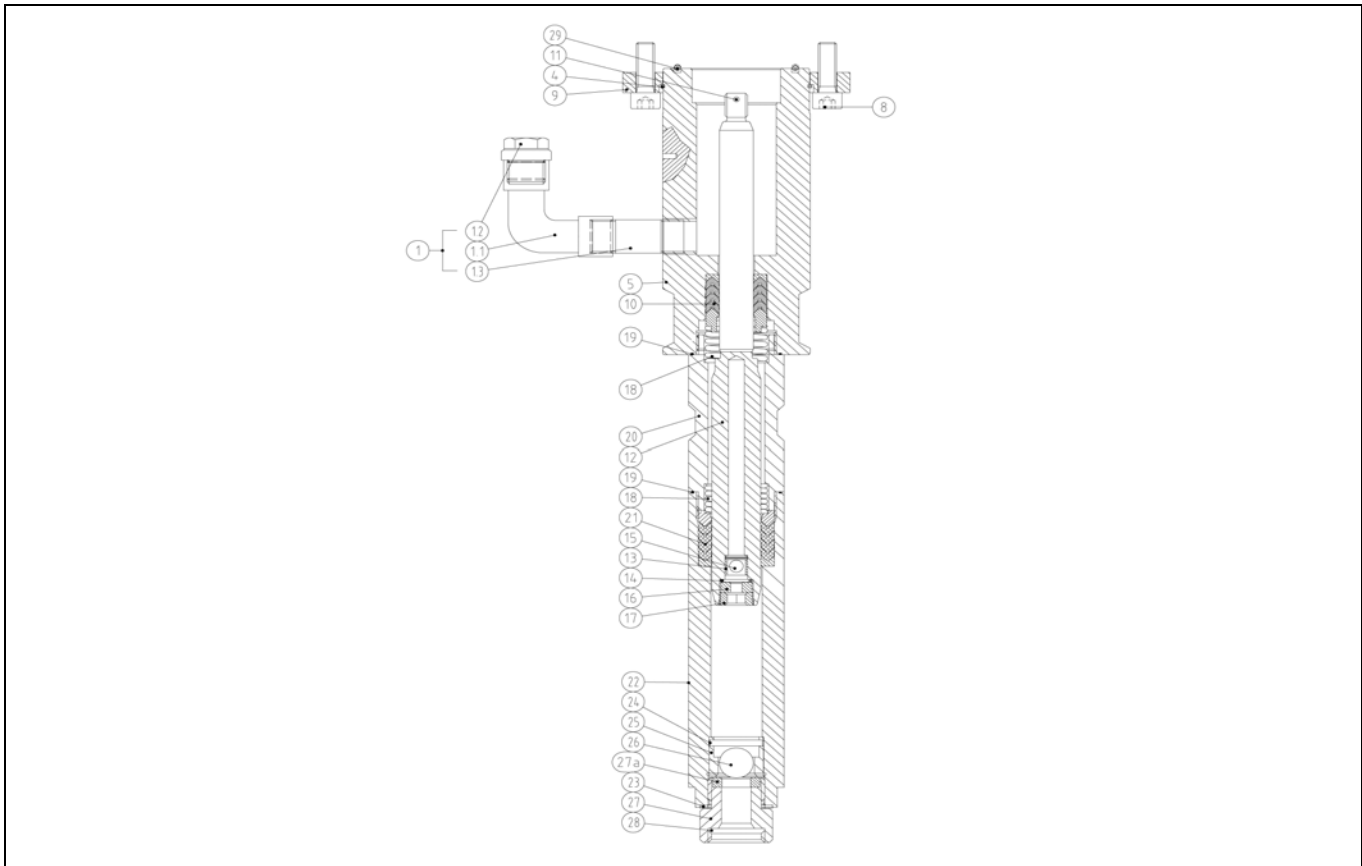
Spare parts kits

D	0114-018675	Seal kit		
R	0114-018674	Repair kit (mixed packing)		
R	0114-016005	Repair kit (packing PTFE)		
		Wearing part	V	

Spare parts are available in the service kits as shown.

MP27/75

Use with HP 4/20 and HP 4/32



Spare parts

Ref.	Part no.	Description	Qty	Kit
1	0114-014561	Filler neck compl.	1	
1.1	0114-013670	Elbow	1	
1.2	0114-013671	Closing screw	1	
1.3	0114-013520	Elongated nipple	1	
4	0114-014364	Retaining ring	1	R
5	0114-011281	High-pressure head	1	
6	0114-014751	Check valve compl.	1	
7	0114-013952	Seal	1	D/R
8	0114-014199	Screw	4	
9	0114-014314	Locking ring	1	
10	0114-014513	Packing, upper, PTFE/Leather	V 1	R
opt.	0114-014559	Packing, upper, PTFE	V 1	R
opt.	0114-016272	Packing, upper, PTFE (glassfilled/graphite)/Leather	V 1	
opt.	0114-016262	Packing, upper, PTFE (glassfilled/graphite)	V 1	
11	0114-014161	Stop spring	1	R
12	0114-014605	Double piston	V 1	
13	0114-014508	Ball stop compl.	1	R
14	0114-014527	Seal	1	D/R
15	0114-014745	Ball	V 1	R
16	0114-014034	Valve plate	V 1	
17	0114-013863	Screw	1	
18	0114-014480	Compression spring	2	

Ref.	Part no.	Description	Qty	Kit
19	0114-011284	O-ring	2	
20	0114-011282	Spring housing	1	
21	0114-014512	Packing, upper, PTFE/Leather	V 1	R
opt.	0114-014558	Packing, upper, PTFE	V 1	R
opt.	0114-016273	Packing, upper, PTFE (glassfilled/graphite)/Leather	V 1	
opt.	0114-016263	Packing, upper, PTFE (glassfilled/graphite)	V 1	
22	0114-011283	Pressure cylinder	1	
23	0114-014739	Seal	1	D/R
24	0114-014450	Cylindrical pin	1	R
25	0114-014738	Ball guide	1	
26	0114-014237	Ball	V 1	R
27	0114-014741	Bottom valve compl.	1	
28	0114-013834	Seal	1	D/R
29	0114-014006	O-ring	1	D/R

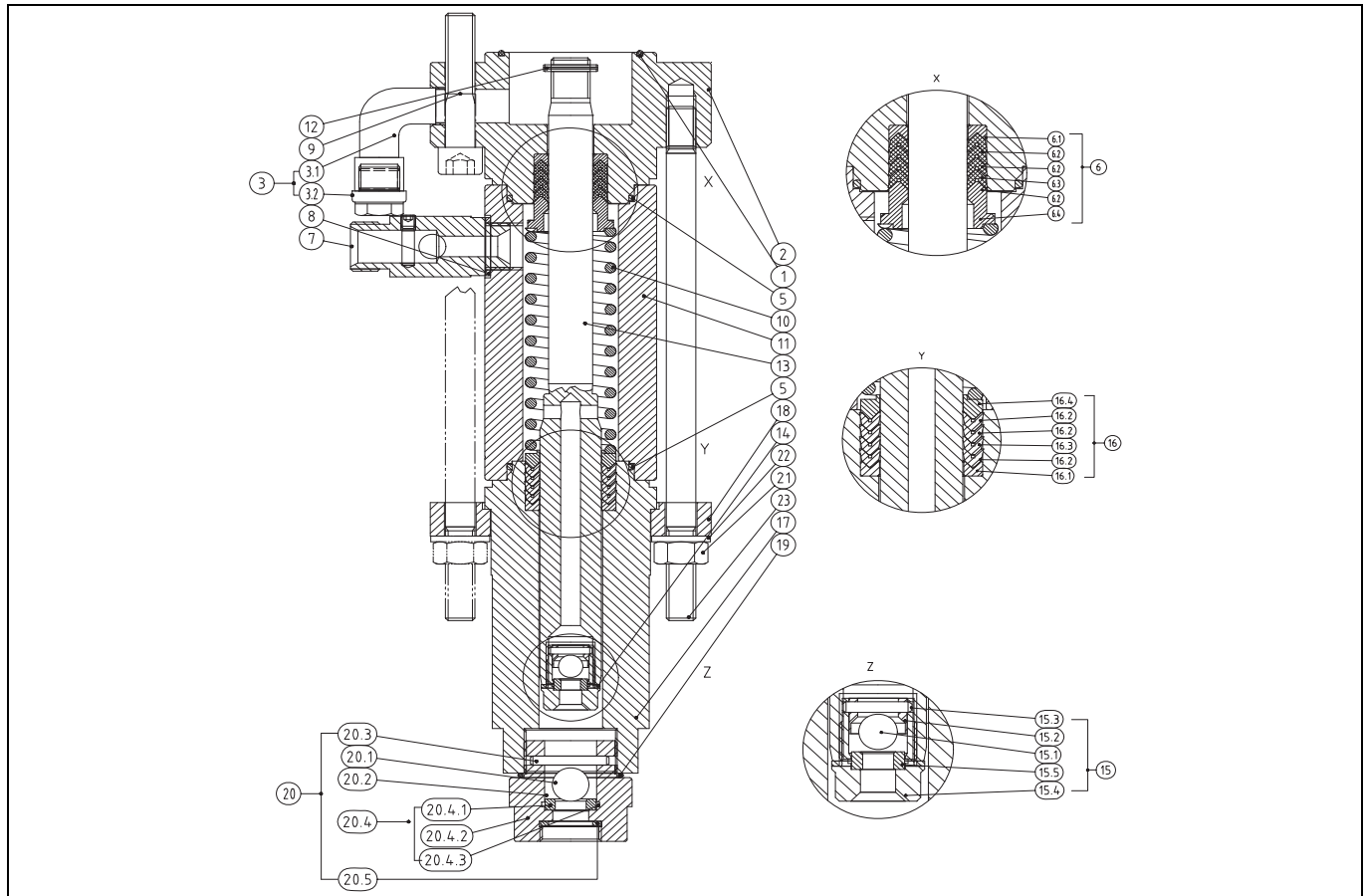
Spare parts kits

D	0114-018597	Seal kit		
R	0114-013448	Repair kit (mixed packing)		
R	0114-016006	Repair kit (packing PTFE)		
		Wearing part	V	

Spare parts are available in the service kits as shown.

MP38/75

Use with HP 6/34 and HP 6/60



Spare parts

Ref.	Part no.	Description	Qty	Kit
1	0114-013987	O-ring	1	D / R
2	0114-014587	High-pressure head	1	
3	0114-019093	Drain valve compl.	1	
3.1	0114-013679	Elbow	1	
3.2	0114-013671	Locking screw	1	
5	0114-014269	Gasket	1	D / R
6	0114-014477	Packing, upper, PTFE/Leather	V	1 R
opt.	0114-018924	Packing, upper, PTFE	V	1 R
opt.	0114-016285	Packing, upper, PTFE (glassfilled/graphite)/Leather	V	1
opt.	0114-016283	Packing, upper, PTFE (glassfilled/graphite)	V	1
7	0114-013555	Check valve compl.	1	
8	0114-014202	Seal	1	D / R
9	0114-014370	Screw	3	
10	0114-014047	Compression spring	V	1
11	0114-014585	Spring housing	1	
12	0114-014159	Clamping sleeve	1	
13	0114-014459	Double piston	V	1
14	0114-014012	Seal	1	D / R
15	0114-014627	Piston valve compl.	1	
15.1	0114-014022	Ball	V	1 R
15.2	0114-014755	Ball guide	1	
15.3	0114-014159	Clamping sleeve	1	R
15.4	0114-013783	Valve housing compl.	V	1
16	0114-014476	Packing, upper, PTFE/Leather	V	1 R
opt.	0114-018925	Packing, upper, PTFE	V	1 R

Ref.	Part no.	Description	Qty	Kit
opt.	0114-016286	Packing, upper, PTFE (glassfilled/graphite)/Leather	V	1
opt.	0114-016284	Packing, upper, PTFE (glassfilled/graphite)	V	1
17	0114-014586	Pressure cylinder	1	
18	0114-014460	Locking ring	1	
19	0114-013946	O-ring	1	D / R
20	0114-014727	Bottom valve compl.	1	
20.1	0114-014237	Ball	V	1 R
20.2	0114-014753	Ball guide	1	
20.3	0114-014568	Cylindrical pin	1	R
20.4	0114-014625	Bottom valve housing	V	1
20.5	0114-013834	Seal	1	D / R
21	0114-014415	Nut	3	
22	0114-014422	Washer	3	
23	0114-014570	Stud bolt	3	

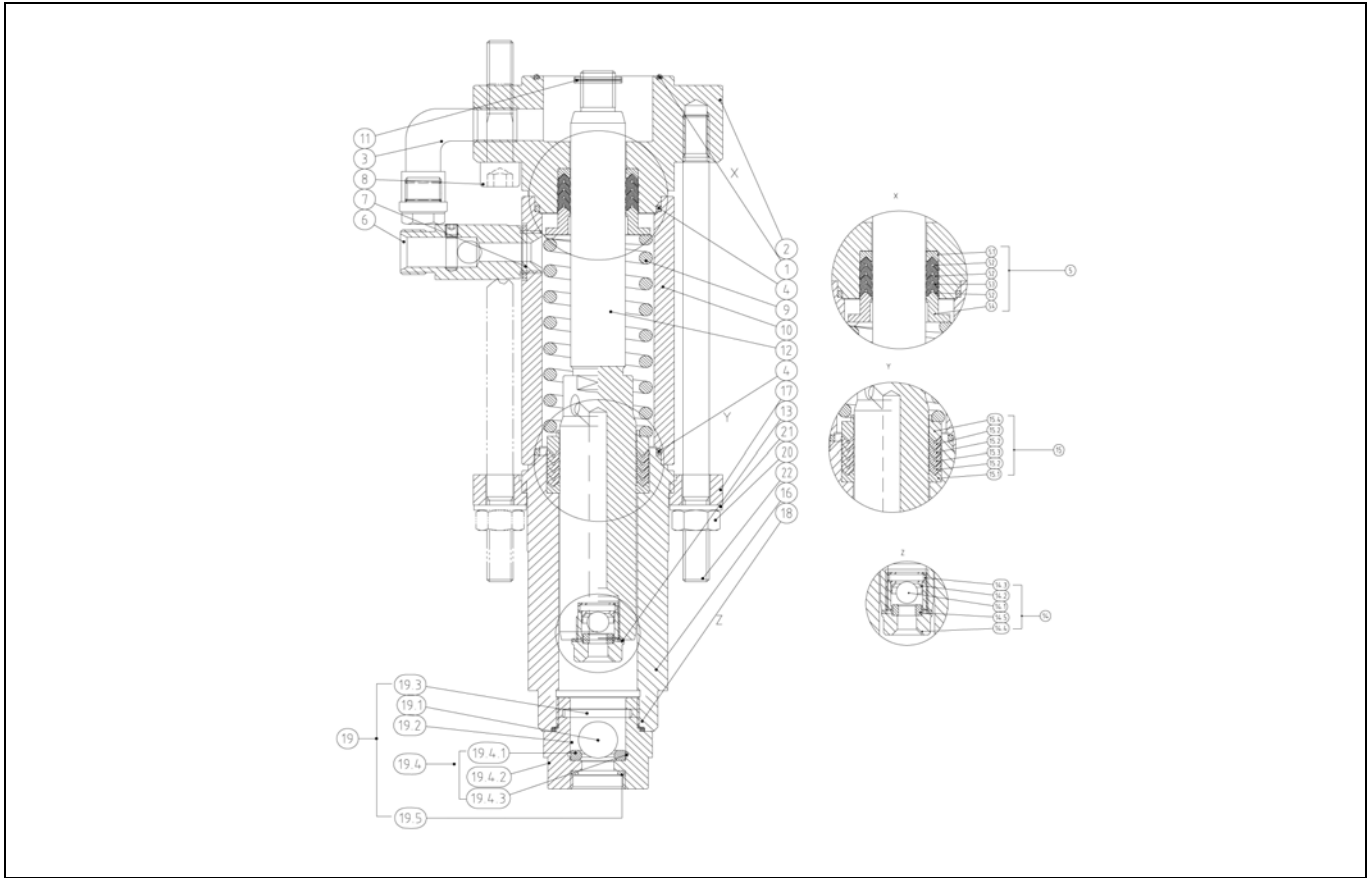
Spare parts kits

D	0114-014648	Seal kit		
R	0114-014754	Repair kit (mixed packing)		
R	0114-016007	Repair kit (Packing PTFE)		
		Wearing part	V	

Spares are available in the service kits as shown.

MP72/75

Use with HP 10/32



Spare parts

Ref.	Part no.	Description	Qty	Kit
1	0114-013987	O-ring	1	D/R
2	0114-014502	High-pressure head	1	
3	0114-019093	Drain valve compl.	1	
4	0114-014567	Gasket	2	D/R
5	0114-014505	Packing, upper, PTFE/Leather	V 1	R
opt.	0114-016000	Packing, upper, PTFE	V 1	R
opt.	0114-016274	Packing, upper, PTFE (glassfilled/graphite)/Leather	V 1	
opt.	0114-016264	Packing, upper, PTFE (glassfilled/graphite)	V 1	
6	0114-013555	Check valve compl.	1	
7	0114-014202	Seal	1	D/R
8	0114-014370	Screw	3	
9	0114-014083	Compression spring	V 1	
10	0114-014499	Spring housing	1	
11	0114-014159	Clamping sleeve	1	R
12	0114-014579	Double piston	V 1	
13	0114-014012	Seal	1	D/R
14	0114-014627	Piston valve compl.	1	
14.1	0114-014022	Ball	V 1	R
14.2	0114-014755	Ball guide	1	
14.3	0114-014159	Clamping sleeve	1	
14.4	0114-013783	Valve housing compl.	V 1	

Ref.	Part no.	Description	Qty	Kit
15	0114-014498	Packing, upper, PTFE/Leather	V 1	R
opt.	0114-016001	Packing, upper, PTFE	V 1	R
opt.	0114-016275	Packing, upper, PTFE (glassfilled/graphite)/Leather	V 1	
opt.	0114-016265	Packing, upper, PTFE (glassfilled/graphite)	V 1	
18	0114-013946	O-ring	1	D/R
19	0114-014726	Bottom valve compl.	1	
19.1	0114-014025	Ball	V 1	R
19.2	0114-014749	Ball guide	1	
19.3	0114-014568	Cylindrical pin	1	R
19.4	0114-014622	Bottom valve housing compl.	V 1	
19.5	0114-013834	Seal	1	D/R
20	0114-014415	Nut	3	
21	0114-014201	Washer	3	
22	0114-014570	Stud bolt	3	

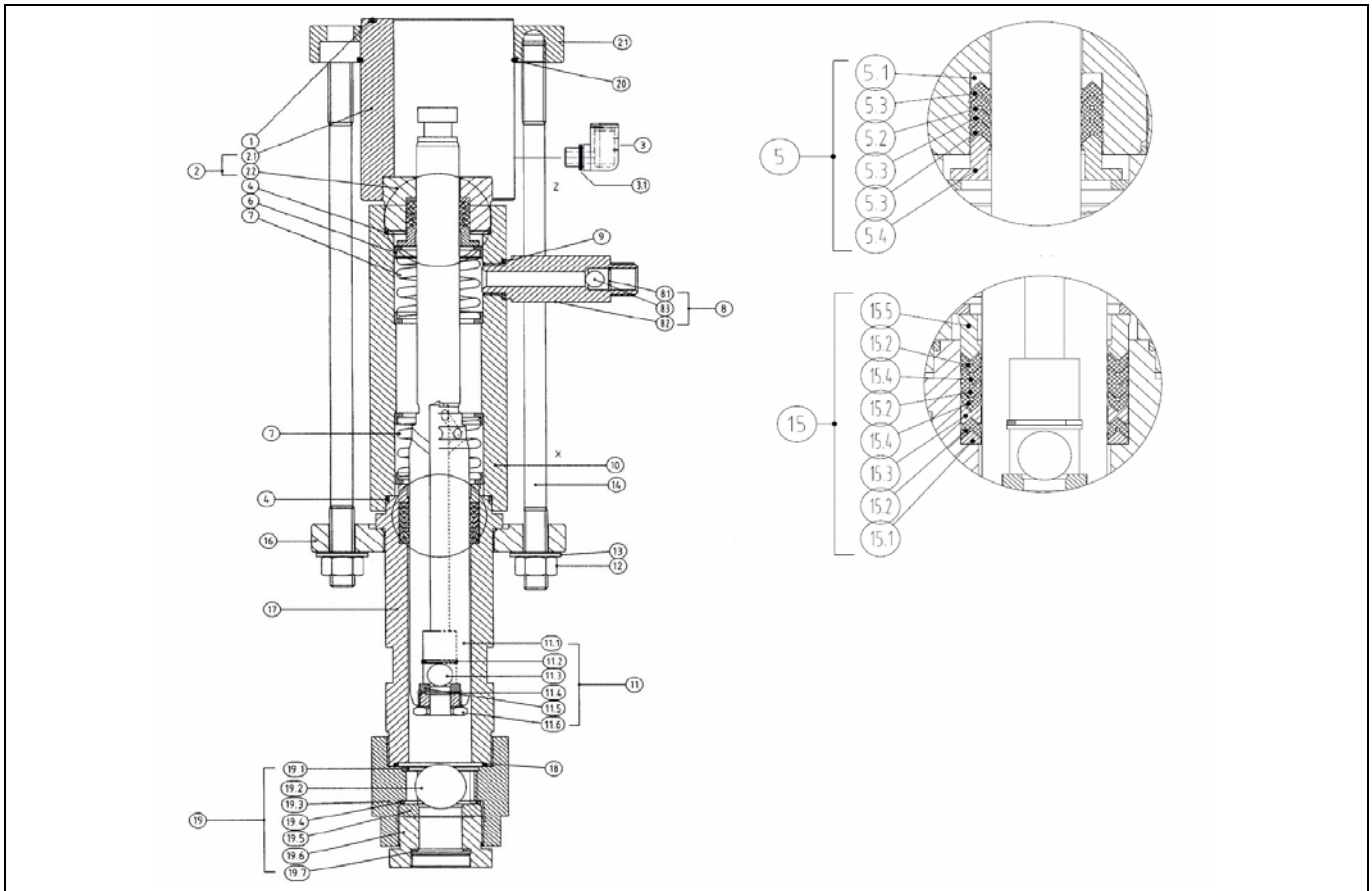
Spare parts kits

Ref.	Part no.	Description	Qty	Kit
D	0114-014649	Seal kit		
R	0114-014730	Repair kit (mixed packing)		
R	0114-016002	Repair kit (Packing PTFE)		
		Wearing part	V	

Spare parts are available in the service kits as shown.

MP115/120

Use with HP 20/66



Spare parts

Ref.	Part no.	Description	Qty	Kit
1	0114-014005	O-ring	1	D / R
2	0114-013918	Intermediate structure, compl.	1	
3	0114-016101	Sight glass with lid	1	
3.1	0114-016102	O-ring	1	
4	0114-013828	Seal	2	D / R
5	0114-013680	Packing, upper, PTFE/Leather	V	1 R
opt.	0114-016008	Packing, upper, PTFE	V	1 R
opt.	0114-016291	Packing, upper, PTFE (glassfilled/graphite)/Leather	V	1
opt.	0114-016077	Packing, upper, PTFE (glassfilled/graphite)	V	1
6	0114-013915	Sleeve	4	
7	0114-014030	Compression spring	2	
8	0114-013536	Check valve compl.	1	
9	0114-014202	Cu-Seal	1	D / R
10	0114-013914	Spring housing	1	
11	0114-013909	Double piston compl.	1	
11.1	0114-013908	Double piston	V	1
11.2	0114-014144	Ball stop	1	
11.3	0114-014237	Ball 15mm	V	1 R
11.4	0114-013910	Cu-Seal	1	D / R
11.5	0114-014146	Valve plate	V	1
11.6	0114-013913	Screw	1	
12	0114-014207	Nut	4	
13	0114-014158	Washer	4	
14	0114-013907	Stud bolt	4	
15	0114-013677	Packing, upper, PTFE/Leather	V	1 R
opt.	0114-016009	Packing, upper, PTFE	V	1 R

Ref.	Part no.	Description	Qty	Kit
opt.	0114-016292	Packing, upper, PTFE (glassfilled/graphite)/Leather	V	1
opt.	0114-016078	Packing, upper, PTFE (glassfilled/graphite)	V	1
16	0114-014233	Flange	1	
17	0114-014234	Pressure cylinder	1	
18	0114-013843	Seal	1	D / R
19	0014-013592	Foot valve compl.	1	
19.1	0114-013676	Ball stop	1	
19.2	0114-014079	Ball 30 mm	V	1 R
19.3	0114-013911	Valve housing	1	
19.4	0114-013912	Seal	1	D / R
19.5	0114-014143	Valve plate	V	1
19.6	0114-013904	Screw	1	
19.7	0114-013838	Seal	1	D / R
20	0114-020015	Round wire snap ring	1	
21	0114-019936	Flange	1	

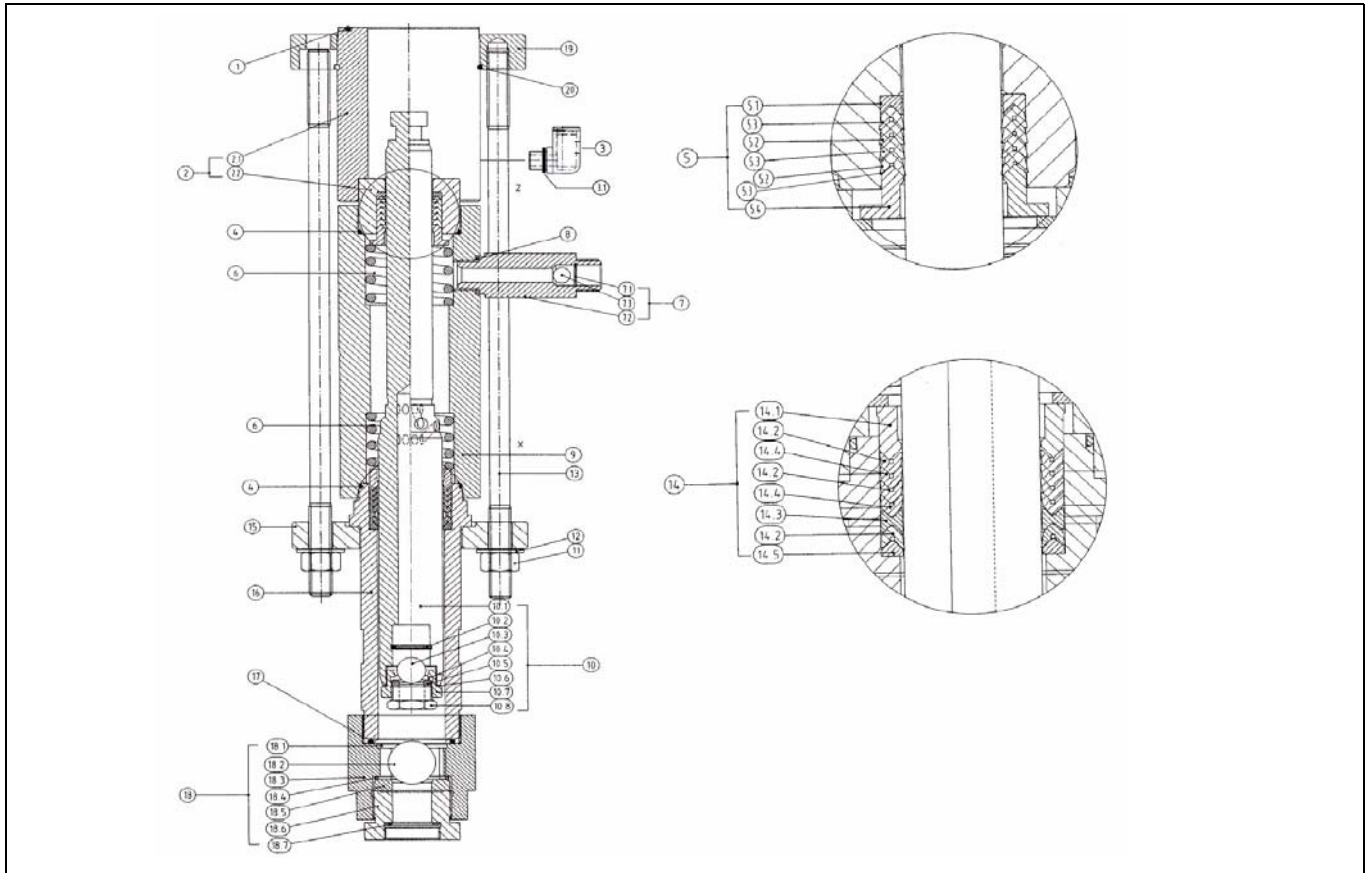
Spare parts kits

D	0114-013570	Seal kit		
R	0114-013575	Repair kit (mixed packing)		
R	0114-016010	Repair kit (Packing PTFE)		
		Wearing part	V	

Spares are available in the service kits as shown.

MP150/120

Use with HP 25/48



Spare parts

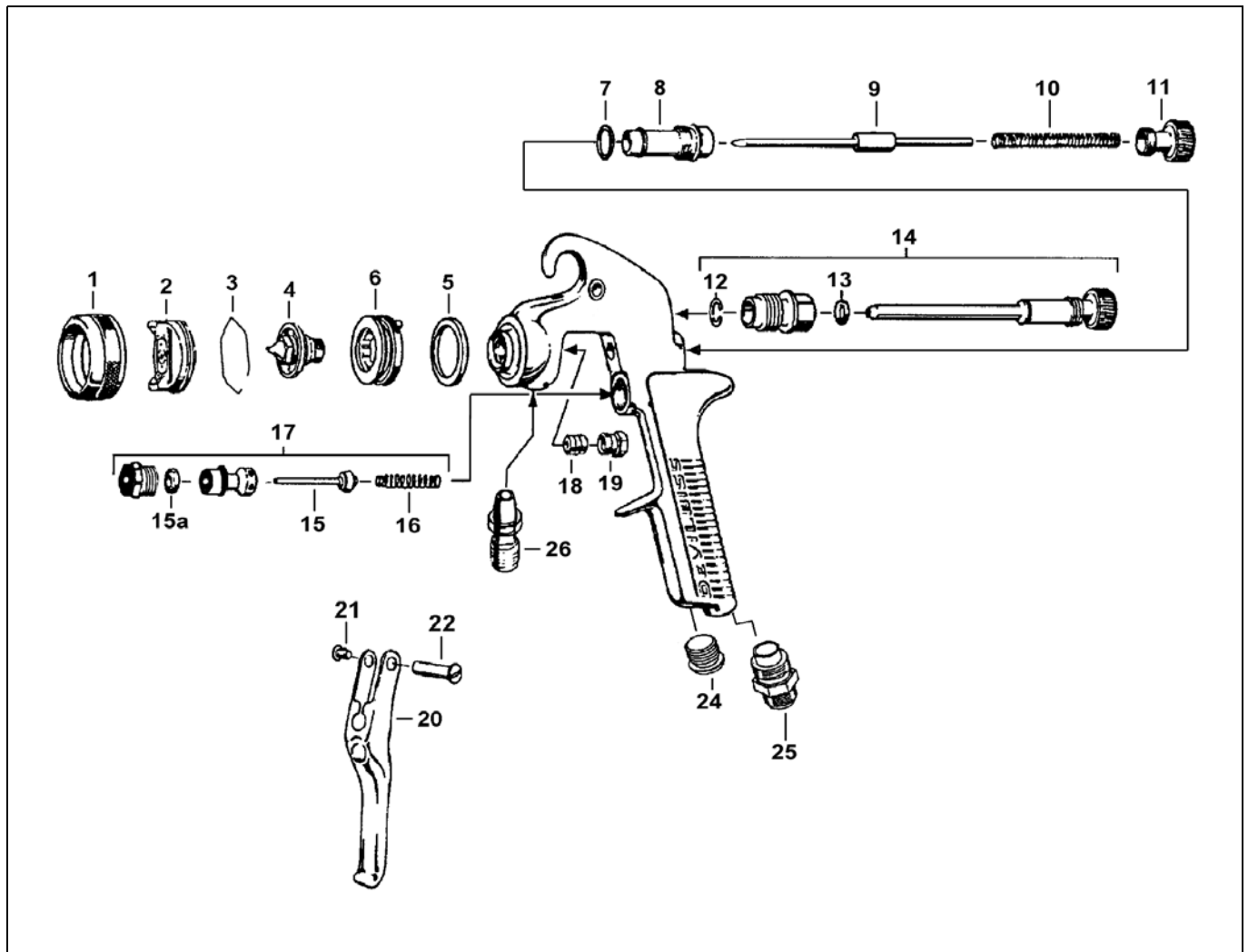
Ref.	Part no.	Description	Qty	Kit
1	0114-014005	O-ring	1	D / R
2	0114-013922	Intermediate structure, compl.	1	
3	0114-016101	Sight glass with lid	1	
3.1	0114-016102	O-ring	1	
4	0114-013929	Seal	2	D / R
5	0114-013692	Packing, upper, PTFE/Leather	V	1 R
opt.	0114-016011	Packing, upper, PTFE	V	1 R
opt.	0114-016295	Packing, upper, PTFE (glassfilled/graphite)/Leather	V	1
opt.	0114-016293	Packing, upper, PTFE (glassfilled/graphite)	V	1
6	0114-014147	Compression spring	V	2
7	0114-013536	Check valve compl.	V	1
8	0114-014202	Cu-Seal	1	D / R
9	0114-013693	Spring housing	1	
10	0114-020351	Double piston compl.	V	1
10.1	0114-013931	Double piston	1	
10.2	0114-014148	Ball stop	1	
10.3	0114-014025	Ball	1	R
10.4	0114-013935	Seal	1	D / R
10.5	0114-014077	Valve plate	1	
10.6	0114-013827	Cu-Seal	1	D / R
10.7	0114-013932	Valve housing-Piston	1	
10.8	0114-013933	Screw	1	
11	0114-014207	Nut	4	
12	0114-014158	Washer	4	
13	0114-013907	Stud bolt old	4	

Ref.	Part no.	Description	Qty	Kit
13.1	0114-013907-1	Stud bolt new	4	
14	0114-013694	Packing, upper, PTFE/Leather	V	1 R
opt.	0114-016012	Packing, upper, PTFE	V	1 R
opt.	0114-016296	Packing, upper, PTFE (glassfilled/graphite)/Leather	V	1
opt.	0114-016294	Packing, upper, PTFE (glassfilled/graphite)	V	1
15	0114-014233	Locking ring	1	
16	0114-013930	Pressure cylinder	1	
17	0114-013843	Seal	1	D / R
18	0014-013592	Foot valve compl.	V	1
18.1	0114-013676	Ball stop	1	
18.2	0114-014079	Ball	1	R
18.3	0114-013911	Valve housing	1	
18.4	0114-013838	Seal	1	D / R
18.5	0114-014143	Valve plate	1	
18.6	0114-013904	Screw	1	
18.7	0114-013838	Seal	1	D / R
19	0114-019936	Flange	1	
20	0114-020015	Round wire snap ring	1	

Spare parts kits

D	0114-013577	Seal kit		
R	0114-018335	Repair kit (mixed packing)		
R	0114-016013	Repair kit (Packing PTFE)		
		Wearing parts	V	

MSA

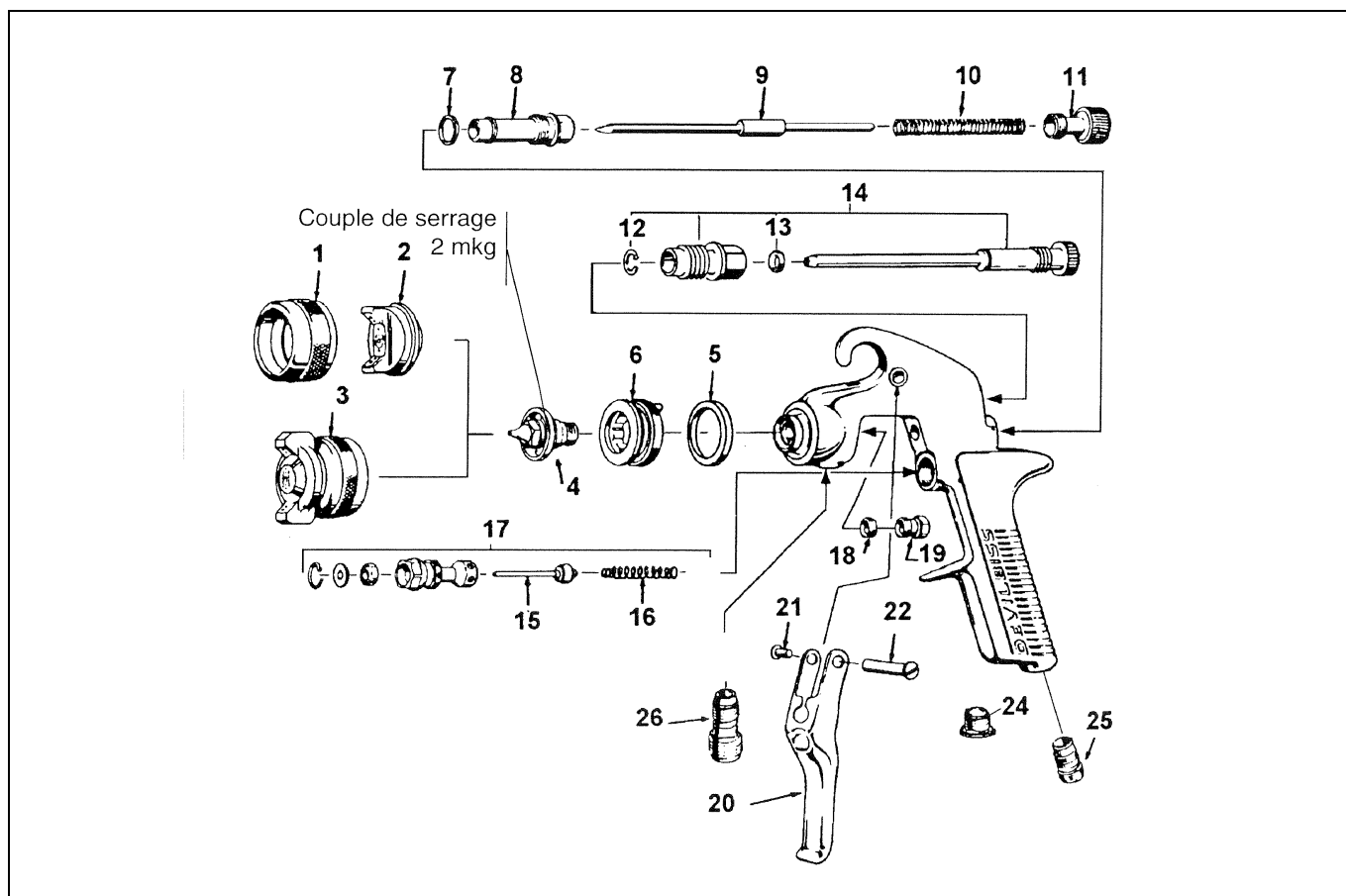


Spare parts

Ref.	Part no.	Description
1	MSG-9	Retaining ring aluminium
	MBC-368	Retaining ring metal
2	AV-1239-799	Air cap
3	JGA-156-K5	Spring clip (Pack of 5)
4	AV-645-FF	Nozzle 1.4 mm
5	JGD-14-K5	Seal (Pack of 5) (not applicable if using MSG-410)
6	GTI-425	Air distributing ring metal
	MSG-410	Air distributing ring plastic
7	JGS-72-K10	Seal (Pack of 10)
8	JGA-17	Needle cylinder
9	JGA-421-FF	Needle
10	JGV-261-K10	Needle spring (Pack of 10)
11	MSG-16	Needle adjusting screw
12	SST-8453-K5	Snap ring (Pack of 5)

Ref.	Part no.	Description
13	SSG-8190-K5	O-ring (Pack of 5)
14	MSG-498	Jet regulating valve
15	JGS-431-1	Air valve cone
15a	JGS-26-K5	U-cap (Pack of 5)
16	JGV-262-K5	Air valve spring (Pack of 5)
17	GTI-410-F	Air valve, compl.
18	JGV-463-K5	Needle packing (Pack of 5)
19	34411-122-K3	Packing screw (Pack of 3)
20	MSV-108	Trigger
21	JGV-264-K5	Trigger screw (Pack of 5)
22	JGV-255-K5	Pin (Pack of 5)
24	JGHV-59	Blanking plug
25	MSG-21	Air inlet nipple 1/4"
26	MSG-22	Material connection 3/8"

MSAE

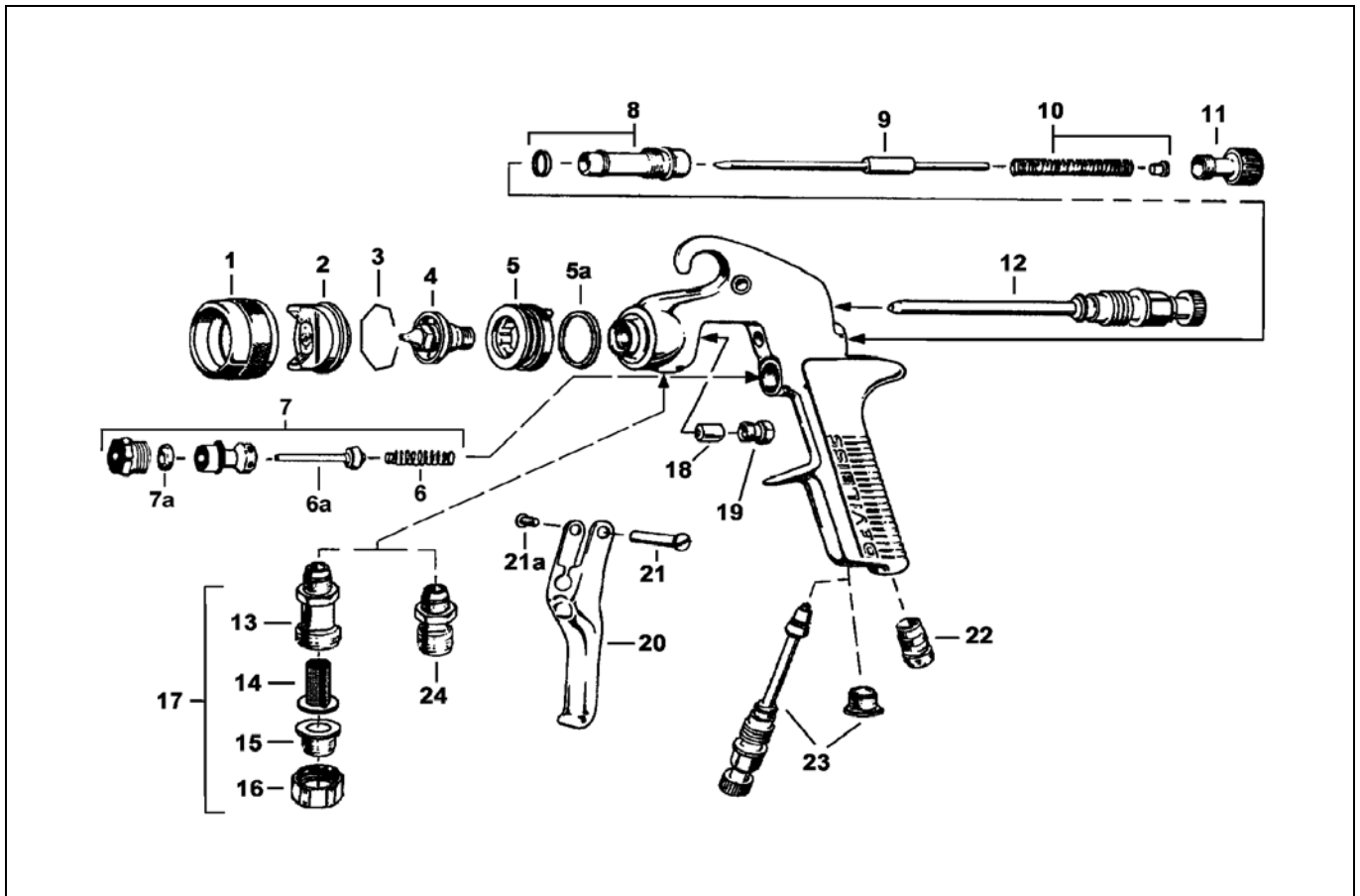


Spare parts

Ref.	Part no.	Description
1	MBC-368	Retaining ring
2	see table	Air cap
3	see table	Air cap with retaining ring
4	see table	Nozzle
5	JGD-14-K5	Seal (Pack of 5)
6	GTI-425	Air distributing ring metal
7	JGS-72-KI 0	Seal (Pack of 10)
8	JGA-17	Needle cylinder
9	see table	Needle
10	JGV-261-K10	Needle spring (Pack of 10)
11	MSG-16	Needle adjusting screw
12	SST-8453-K5	Snap ring (Pack of 5)
13	SSG-8190-K5	O-ring (Pack of 5)

Ref.	Part no.	Description
14	MSG-498	Jet regulating valve
15	JGS-431	Air valve
16	JGV-262-K5	Air valve spring (Pack of 5)
17	GT141 0F	Air valve
18	MBC-1 164-K5	O-ring (Pack of 5)
19	34423-121 -F	Packing screw
20	MSV108	Trigger
21	JGV-K5	Trigger screw (Pack of 5)
22	JGV-255-K5	Pin (Pack of 5)
23		
24	JGHV-59	Blanking plug
25	MSG-21	Air inlet nipple 1/4" NPS/BSP
26	MSG22	Material connection 3/8" NPS/BSP

MSAT

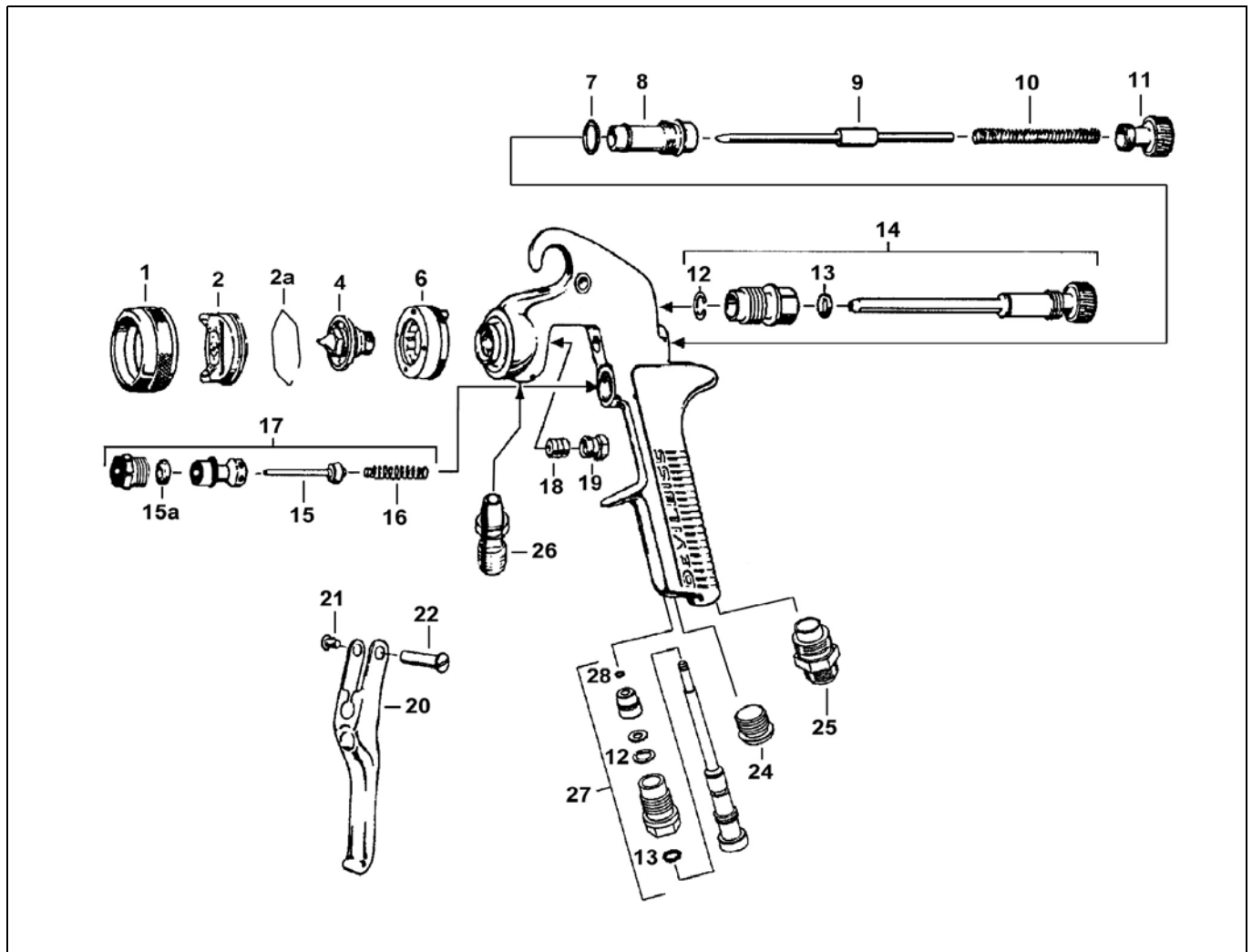


Spare parts

Ref.	Part no.	Description
1	MBC-368	Retaining ring
2	GTI-407-122	Air cap with retaining ring
3	JGA-156-K5	Spring clip (Pack of 5)
4	GTI-213-12-K	Nozzle 1.2 mm (0.85-1.5)
	GTI-214-16-K	Nozzle 1.6 mm (1.6-2.2)
5	GTI-425-K	Air distributing ring
5a	GTI-33-K5	Seal (Pack of 5)
6	JGV-262-K5	Air valve spring (Pack of 5)
6a	JGS-431-1	Air valve cone
7	GTI-410-F	Air valve, compl.
7a	JGS-26-K5	U-cap (Pack of 5)
8	GTI-402-K	Needle cylinder
	GTI-449-10-K	Needle 0.85/1.0 mm
	GTI-449-12-K	Needle 1.1/1.2 mm
	GTI-449-14-K	Needle 1.3/1.4/1.5 mm
	GTI-420-K	Needle 1.6- 2.2 mm
9	GTI-409-K5	Spring with pad (Pack of 5)
10	GTI-409-K5	Spring with pad (Pack of 5)
11	GTI-414-K	Needle adjusting screw

Ref.	Part no.	Description
12	MSG-498	Jet regulating valve
13	VS-142	Filter body
	VSK-442-06-K10	Filter insert 60µ (Pack of 10)
14	VSK-442-12-K10	Filter insert 120µ (Pack of 10)
	VSK-442-20-K10	Filter insert 200µ (Pack of 10)
15	VS-140HN	Threaded connection 3/8"
16	VS-141	Nut
17	VS-444-12	Filter, compl.
18	JGV-463-K5	Needle packing (Pack of 5)
19	34411-122-K3	Packing screw (Pack of 3)
20	MSV-108	Trigger
21	JGV-255-K5	Pin (Pack of 5)
21a	JGV-264-K5	Screw (Pack of 5)
22	MSG-21	Air inlet nipple 1/4"
	MSG-4008-R	Air fine regulating valve
23	JGHV-59	Blanking plug
24	MSG-22	Material inlet nipple 3/8"

MSV



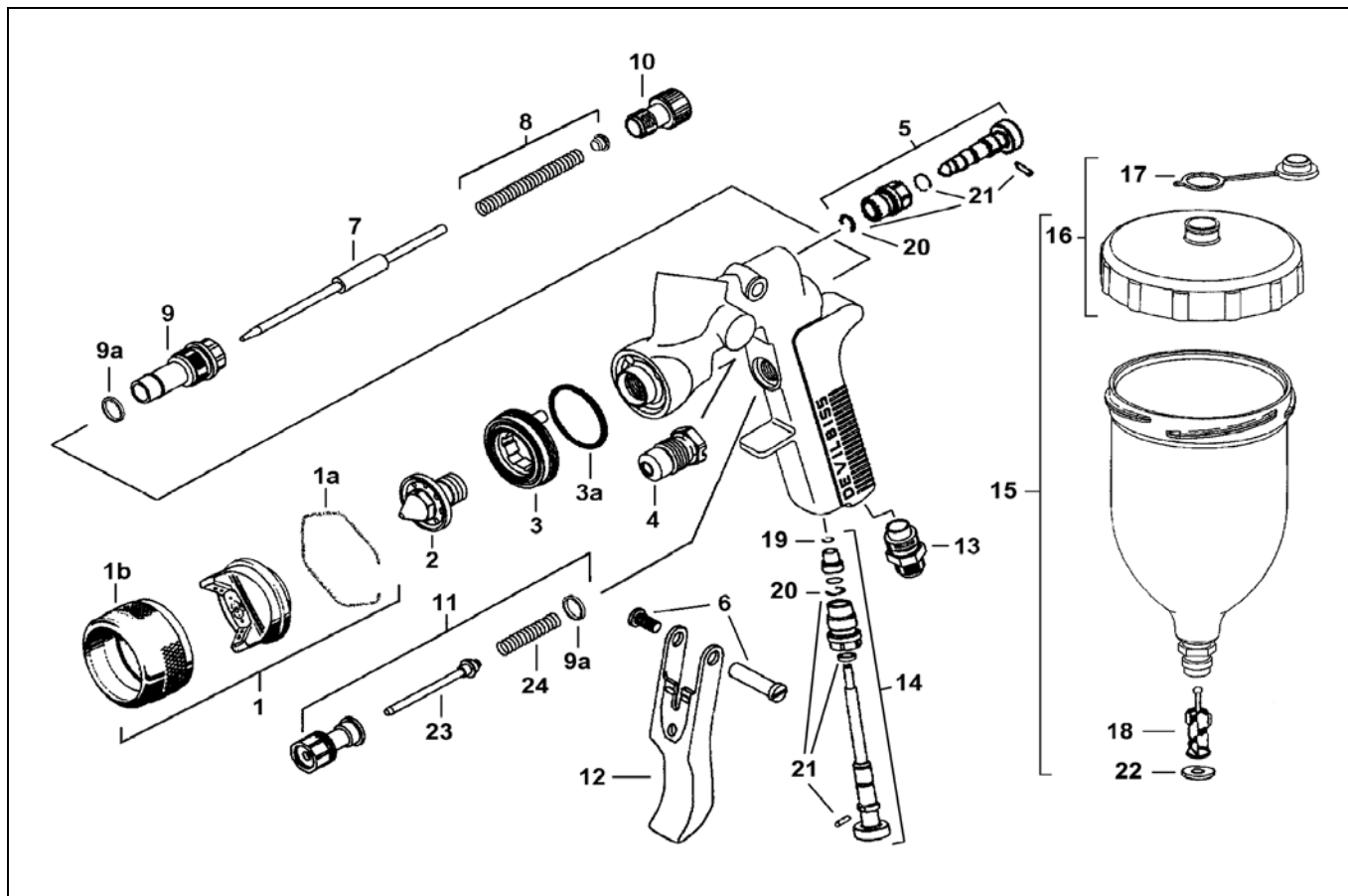
Spare parts

Ref.	Part no.	Description
1	MSG-9	Retaining ring aluminium
	MBC-368	Retaining ring metal
2	JGHV-101-46MP	Air cap
2a	JGA-156-K5	Spring clip (Pack of 5)
4	AV-1920-FF	Nozzle 1.4 mm
6	MSV-430-46	Air distributing ring
7	JGS-72-K10	Seal (Pack of 10)
8	JGA-17	Needle cylinder
9	JGA-421-FF	Needle
10	JGV-261-K10	Needle spring (Pack of 10)
11	MSG-16	Needle adjusting screw
12	SST-8453-K5	Snap ring (Pack of 5)
13	SSG-8190-K5	O-ring (Pack of 5)
14	MSG-498	Jet regulating valve

Ref.	Part no.	Description
15	JGS-431-1	Air valve cone
15a	JGS-26-K5	U-cap (Pack of 5)
16	JGV-262-K5	Air valve spring (Pack of 5)
17	GTI-410-F	Air valve, compl.
18	JGV-463-K5	Needle packing (Pack of 5)
19	34411-122-K3	Packing screw (Pack of 3)
20	GTI-108	Trigger
21	JGV-264-K5	Trigger screw (Pack of 5)
22	JGV-255-K5	Pin (Pack of 5)
24	JGHV-59	Blanking plug
25	MSG-21	Air inlet nipple 1/4"
26	MSG-22	Material connection 3/8"
27	MSG-4008-R	Air fine regulating valve
28	25746-007-K5	Snap ring (Pack of 5)

PRI

(Trans-Tech)



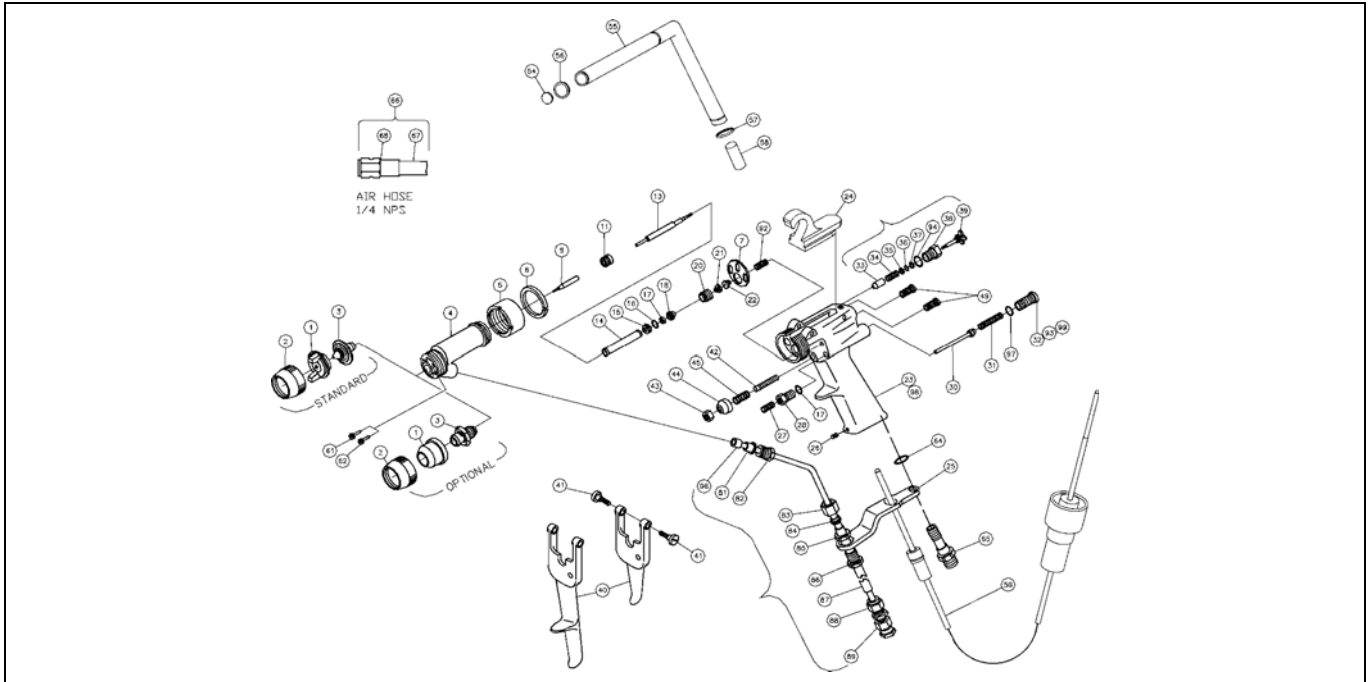
Spare parts

Ref.	Part no.	Description
1	PRI-407-310	Air cap Trans-Tech
1a	JGA-156-K5	Spring-Clip (Pack of 5)
1b	MBC-368	Retaining ring
2	PRI-2-...-K	Nozzle see table
3	GTI-425-K	Air distributing ring
3a	GTI-33-K5	Seal (Pack of 5)
4	GTI-445-K2	Needle packing (Pack of 2)
5	GTI-404-K	Jet regulating valve
6	GTI-408-K5	Pin with screw (Pack of 5)
7	PRI-...-K	Needle see table
8	GTI-409-K5	Spring with pad (Pack of 5)
9	GTI-402-K	Needle cylinder
9a	JGS-72-K10	Seal (Pack of 10)
10	GTI-414-K	Needle adjusting screw
11	JGK-449	Air valve, compl.
12	GTI-108	Trigger
13	JGA-158	Air inlet nipple 1/4"
14	GTI-415-K	Air fine regulating valve

Ref.	Part no.	Description
15	GFC-501	Gravity cup, compl. 0.6 l
16	GFC-402	Cover, compl.
17	GFC-2-K5	Drip check clip (Pack of 5)
18	KGP-5-K5	Fine filter (Pack of 5)
19	25746-007-K5	Snap ring (Pack of 5)
20	SST-8434-K5	Snap ring (Pack of 5)
21	GTI-428-K5	Seal, pin, ring (Pack of 5)
22	KGP-12-K5	Seal (Pack of 5)
23	JGS-431-1	Air valve cone
24	JGV-262-K5	Air valve spring (Pack of 5)

REA III

(Water-based paint)



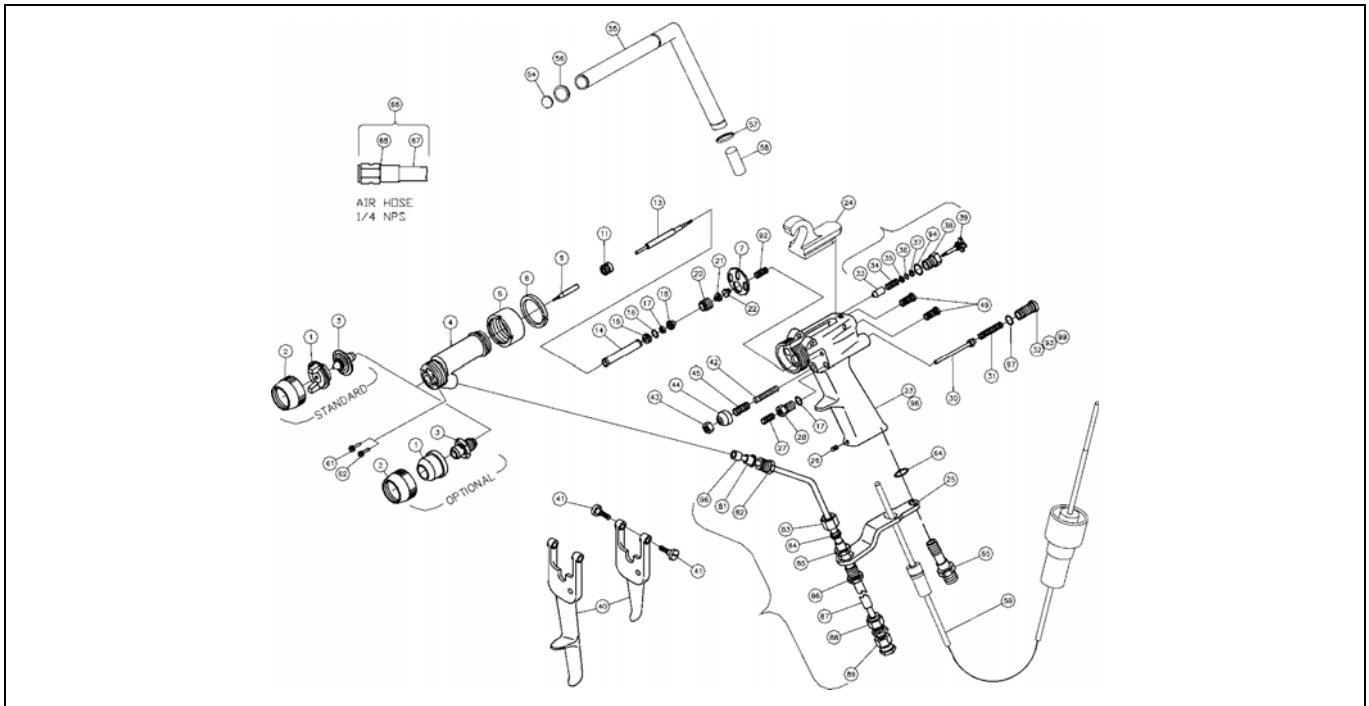
Spare parts

Ref.	Part no.	Description
	75601-00	Air cap, fan jet, HVLP
	4904-xx	Air cap, fan jet air atomisation standard
1	AV-1239-265R-1	Air cap, fan jet air atomisation optional
	70899-00	Air cap pencil jet rotation
	11843-49	Air cap pencil jet round standard
	11842-40	Air cap pencil jet round optional
	4903-00	Retaining ring, rotation
2	73569-00	Retaining ring, HVLP, air atomisation, and round standard
	11842-35	Retaining ring, HVLP, air atomisation, and round optional
	75600-01	Paint nozzle, fan jet, HVLP
	4907-xx	Paint nozzle, fan jet Air atomisation standard
3	11842-33	Paint nozzle, fan jet Air atomisation optional
	70898-00	Paint nozzle, pencil jet, rotation
	11843-39	Paint nozzle, pencil jet, round, optional
4	75037-00	Gun assembly REA III
5	75322-00	Retaining nut, gun assembly
6	75325-00	Retaining ring, gun assembly
7	18872-00	Seal, gun assembly
9	70430-00	Electrode compl.
11	78626-00	Seal compl., packing cartridge, non-adjustable, REA
13	78627-04	Needle shaft compl., REA
14	18842-01	Packing tube
15	78629-00	Rear needle seat retainer
16	7554-08	O-ring, solvent-resistant
17	10051-05	U-seal, spring tensioned, (2 x required)
18	78630-00	Spacer, seal
20	78631-00	Packing nut
21	78632-00	Locking nut, trigger adjustment
22	78633-00	Spring retainer, needle shaft
23	78641-00	Handle assembly, conductive plastic, REA

Ref.	Part no.	Description
24	18824-00	Hook
25	20979-00	Bracket for material tube: Offset (all triggers)
26	19603-10F	Adjusting screw
27	72474-01	Compression spring
28	78635-00	Retaining nut, air valve
30	79310-00	Rod compl., air valve
31	17130-00	Compression spring
32	79317-00	Air valve cap
33a		Jet regulating valve (Pos. 33-39 and 94)
	18851-01	Air atomisation
33	18852-00	Valve needle, air atomisation
34	18829-00	Compression spring
35	18833-00	Washer (2 x required)
36	13076-08	O-ring, solvent-resistant
37	18833-00	Washer
38	77019-00	Guide screw
39	77018-00	Adjusting screw
40	18871-00	Trigger, short, 2 finger (All holders)
	20974-00	Trigger, long, 4 finger (only for Offset holder)

REA III

(Water-based paint)



Spare parts

Ref.	Part no.	Description
41	6144-00	Threaded pin (2 x required)
42	20976-00	Adjusting screw
43	7733-07	Hexagon nut
44	77017-00	Knob, trigger stop
45	20977-00	Compression spring
49	77015-00	Valve spring cap (2 x required)
50	9704-16	Material tube for 20979-00 Offset bracket
54	14061-01	Contact sponge
55	70397-02	Resistance housing
56	7554-11	O-ring, solvent-resistant
57	7554-10	O-ring, solvent-resistant
58	14061-01	Contact sponge
59	LREA4003-xx	High-voltage cable
61	74963-02	Reducer, air atomisation, black
62	74963-03	Reducer, HVLP, white
64	7554-11	O-ring, solvent-resistant
65	18847-01	Connector, air inlet, 1/4" NPS (AG)
66	14614-xx	Air connection compl. (Ref. 67 - 68)
67	6919-00	Air hose 5/16" ID (bulkhead lead-through - no nipples)
68	14628	Connector for air hose (2 x required) (set only)
	72306-xx	Paint hose 3/16" ID
	74180-xx	Paint hose 1/4" ID
81	72308-00	Ferrule
82	72309-00	Connection for paint hose
83	3587-02	Nut
84	72315-00	Ferrule, conductive
85	10553-05	Nut
86	72310-00	Connector

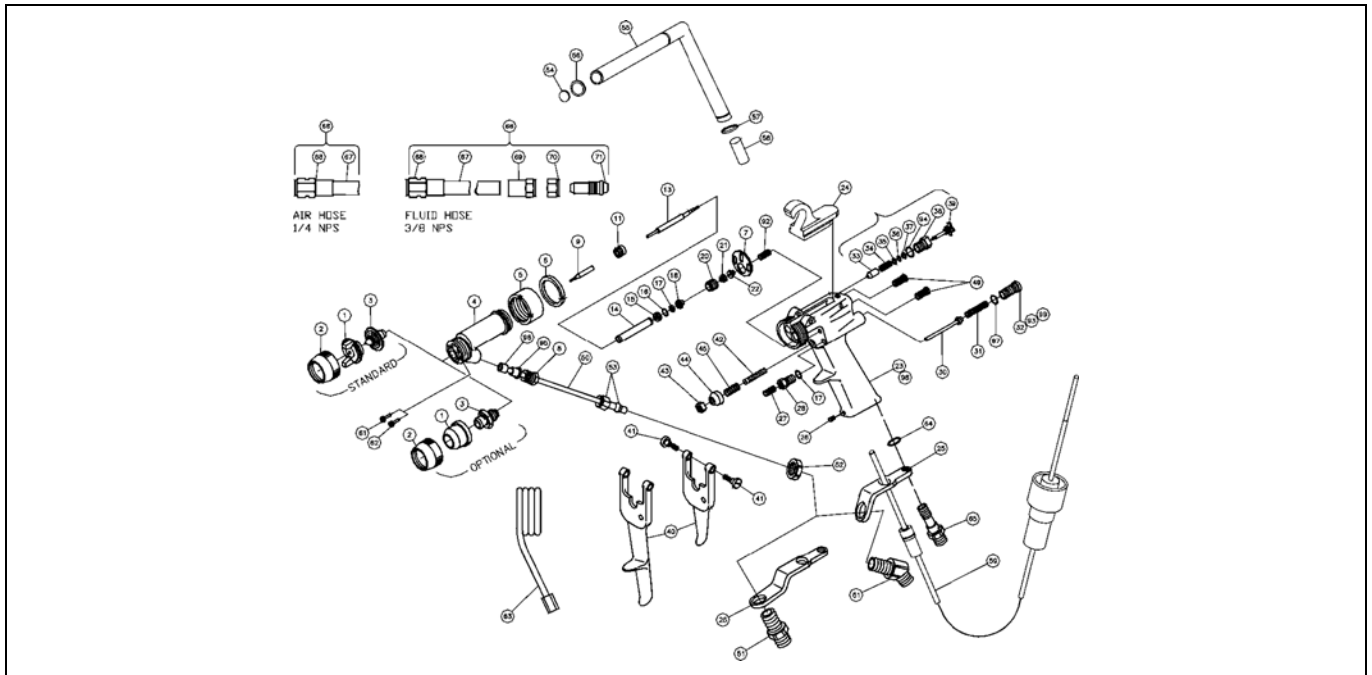
Ref.	Part no.	Description
87	72307-xx	Paint hose 3/16" ID
	74179-xx	Paint hose 1/4" ID
88	6241-06	Nut and ferrule
89	7787-03	Swivel pipe fitting
92	78636-00	Compression spring
93	79001-14	O-ring, solvent-resistant
94	72209-05	O-ring, solvent-resistant
96	76993-00	Spacer
97	7554-11	O-ring, solvent-resistant
98	78696-00	Handle, Soft-Touch

Accessories

	77070-36-1	High-voltage generator
	LKIT0011-00	REA Seal kit
	LKIT0011-01	REA IV Repair kit
	GC-100-K5	Protective sleeve for gun (Pack of 5)
	14490-00	Air filter set
	14614	Air hose
	72306-BB	Paint hose for water-based paint 1/2"
	74180-BB	Paint hose for water-based paint 1/4"
	75038-01	Spare-parts kit gun assembly
	5875-00	Insulating stand
	EFX-447	Housing and locking devices
	59972-00	Cascade grease
	LAQU5010-00	Aqua Tank 9 Litres
	LAQU5030-00	Aqua Tank 22 Litres
	72118-00	Push-Pull jet adjustment
	75734-01	HVLP conversion kit
	76102-00	Gun hanger
	76633-00	Conductive gloves

REA III

(Solvent-based paint)



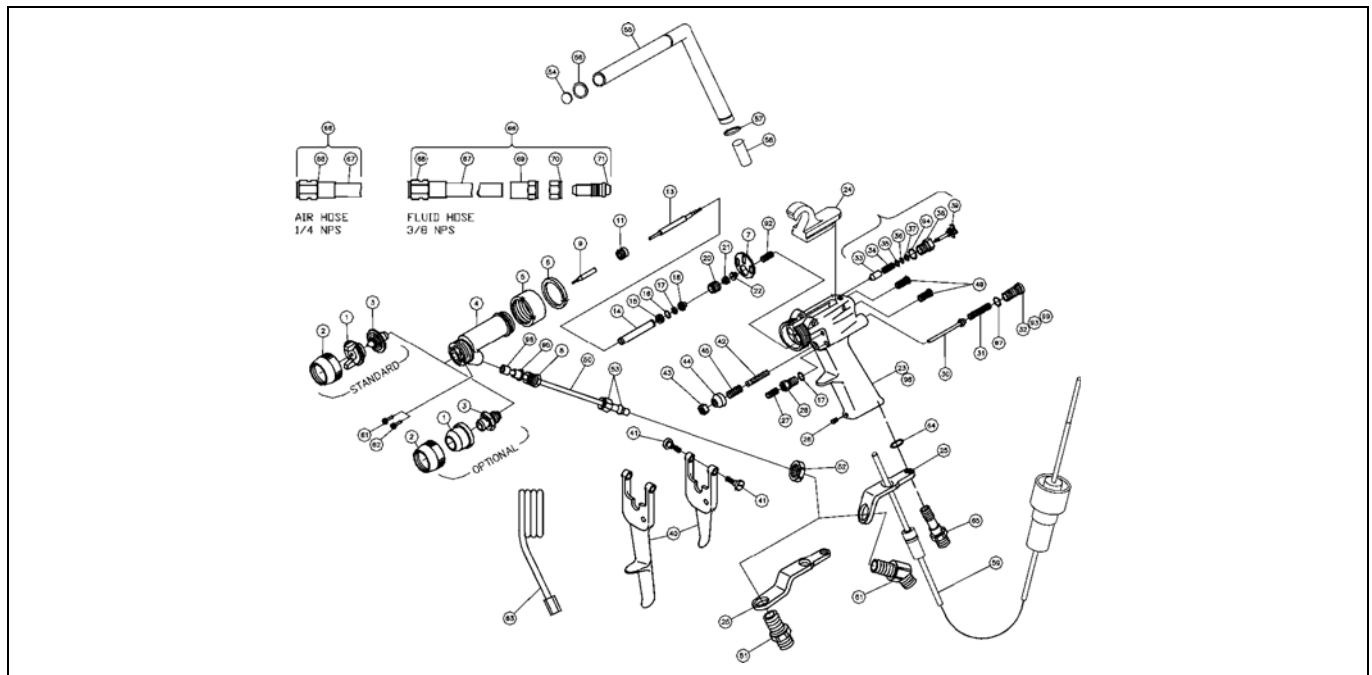
Spare parts

Ref.	Part no.	Description
1	75601-00	Air cap, fan jet, HVLP
	4904-xx	Air cap, fan jet Air atomisation standard
	AV-1239-265R-1	Air cap, fan jet Air atomisation optional
	70899-00	Air cap, pencil jet, rotation
	11842-49	Air cap, pencil jet, round, standard
	11842-40	Air cap, pencil jet, round, optional
2	4903-00	Retaining ring, rotation
	73569-00	Retaining ring, HVLP, air atomisation, and round standard
	11842-35	Retaining ring, HVLP, air atomisation, and round optional
3	75600-01	Paint nozzle fan jet HVLP
	4907-xx	Paint nozzle fan jet Air atomisation standard
	11842-33	Paint nozzle fan jet Air atomisation optional
	70898-00	Paint nozzle, pencil jet, rotation
	LREA0003-00	Paint nozzle, pencil jet, round standard
	11843-39	Paint nozzle, pencil jet round, optional
4	75037-00	Gun assembly REA III
5	75322-00	Retaining nut, gun assembly
6	75325-00	Retaining ring, gun assembly
7	18872-00	Seal, gun assembly
8	72309-00	Paint fitting
9	70430-00	Electrode compl.
11	78626-00	Seal compl., packing cartridge, non-adjustable, REA
13	78627-04	Needle shaft compl. REA
14	18842-01	Packing tube
15	78629-00	Rear needle seat retainer
16	7554-08	O-ring, solvent-resistant
17	10051-05	U-seal, spring tensioned (2 x required)
18	78630-00	Spacer, seal
20	78631-00	Packing nut
21	78632-00	Locking nut, trigger adjustment
22	78633-00	Spring retainer, needle shaft
23	78641-00	Handle assembly, conductive plastic, REA

Ref.	Part no.	Description
24	18824-00	Hook
25	20979-00	Bracket for material tube: Offset (all triggers)
	70441-00	45° bracket for material tube:(only 2 finger trigger)
26	19603-10F	Adjusting screw
27	72474-01	Compression spring
28	78635-00	Retaining nut, air valve
30	78639-00	Rod compl., air valve
31	78640-00	Compression spring
32	78634-00	Air valve cap
33a	18851-01	Spreader valve air atomisation (Ref. 33-39 and 94)
33	18852-00	Valve needle, air atomisation
34	18829-00	Compression spring
35	18833-00	Washer (2 x required)
36	13076-08	O-ring, solvent-resistant
37	18833-00	Washer
38	77019-00	Guide screw
39	77018-00	Adjusting screw

REA III

(Solvent-based paint)



Spare parts

Ref.	Part no.	Description
40	18871-00	Trigger short, 2 finger (All holders)
	20974-00	Trigger long, 4 finger (only for offset holder)
41	6144-00	Threaded pin (2 x required)
42	20976-00	Adjusting screw
43	7733-07	Hexagon nut
44	77017-00	Knob, trigger stop
45	20977-00	Compression spring
49	77015-00	Valve spring cap (2 x required)
50	9704-16	Material tube for 20979-00 Offset bracket
	9704-16	Material tube for 70441-00 45° bracket
51	70399-00	Paint tube connection for 20979-00 Offset bracket
	70442-00	Paint tube connection for 70441-00 45° bracket
52	10553-06	Locking nut, Offset and 45°
53	3587-03	Nut and ferrule
54	14061-01	Contact sponge
55	70397-02	Resistance housing
56	7554-11	O-ring, solvent-resistant
57	7554-10	O-ring, solvent-resistant
58	14061-01	Contact sponge
59	LREA4003-xx	High-voltage cable
61	74963-02	Reducer, air atomisation, black
62	74963-03	Reducer, HVLP, white
63	75228-01	Paint tube, 093" ID
	75228-02	Paint tube, 250" ID
	75228-03	Paint tube, 125" ID
64	7554-11	O-ring, solvent-resistant
65	18847-01	Connector, air inlet, 1/4" NPS (AG)
66	14614-xx	Air connection compl. (Ref. 67 – 71)
	14615-xx	Paint connection compl. (Ref. 67 – 71)

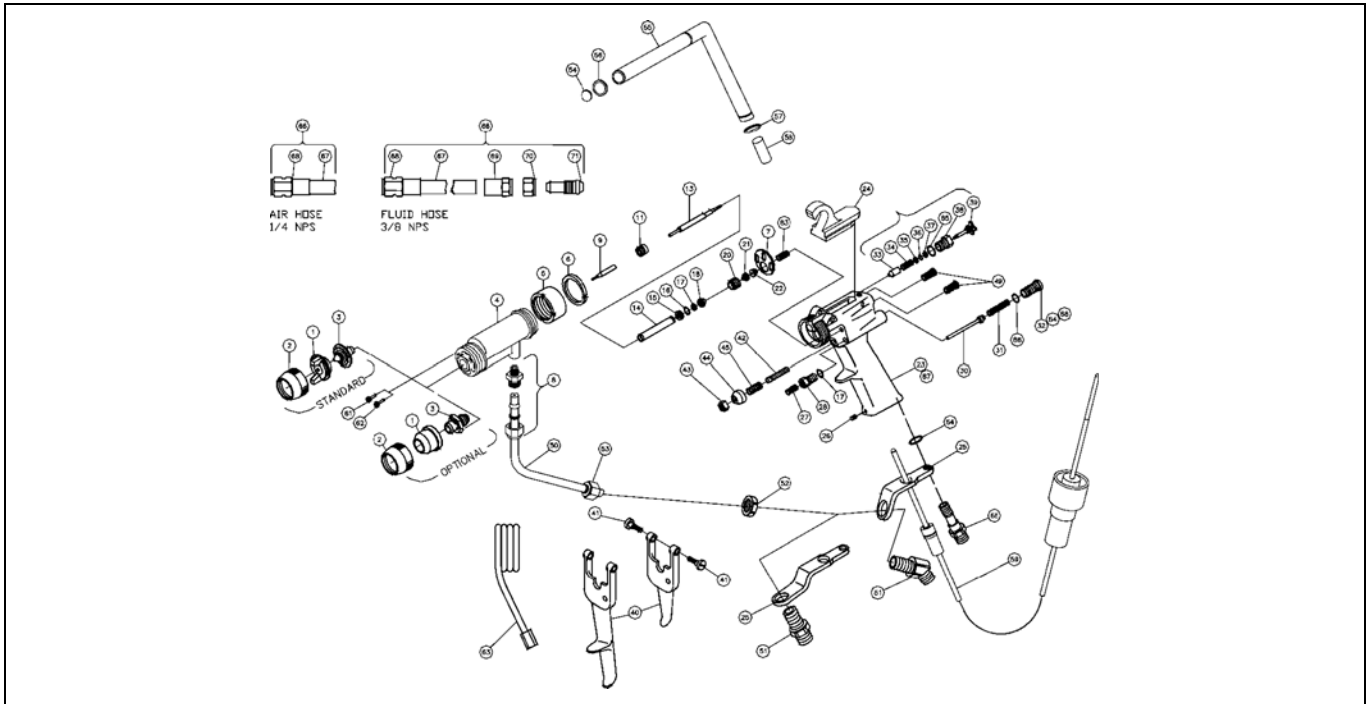
Ref.	Part no.	Description
67	6919-xx	Air hose 5/16" ID (bulkhead lead-through - no nipples)
	77031-xx	Paint hose 1/4" ID (bulkhead lead-through - no nipples)
68	14628-00	Connection for paint hose
69	7617-00	Ferrule for paint hose
70	14599-00	Nut for paint hose
71	7623-00	Hose nipple for paint hose
92	78636-00	Compression spring
93	79001-14	O-ring, solvent-resistant
94	72209-05	O-ring, solvent-resistant
95	72308-00	Ferrule
96	76993-00	Spacer, paint tube
97	7554-11	O-ring, solvent-resistant
98	78696-00	Handle, Soft-Touch

Accessories

LKIT0011-00	REA Seal kit
LKIT0011-01	REA IV Repair kit
14614L50	Air hose
14615L50	Paint hose
GC-100-K5	Protective sleeve for gun (Pack of 5)
14490-00	Air filter set
75038-01	Spare-parts kit gun assembly
59972-00	Cascade grease
72118-00	Push-Pull jet adjustment
75734-01	HVLP conversion kit
76102-00	Gun hanger
76633-00	Conductive gloves
75228-01/02/03	Paint tube

REA IV

(Solvent-based paint)



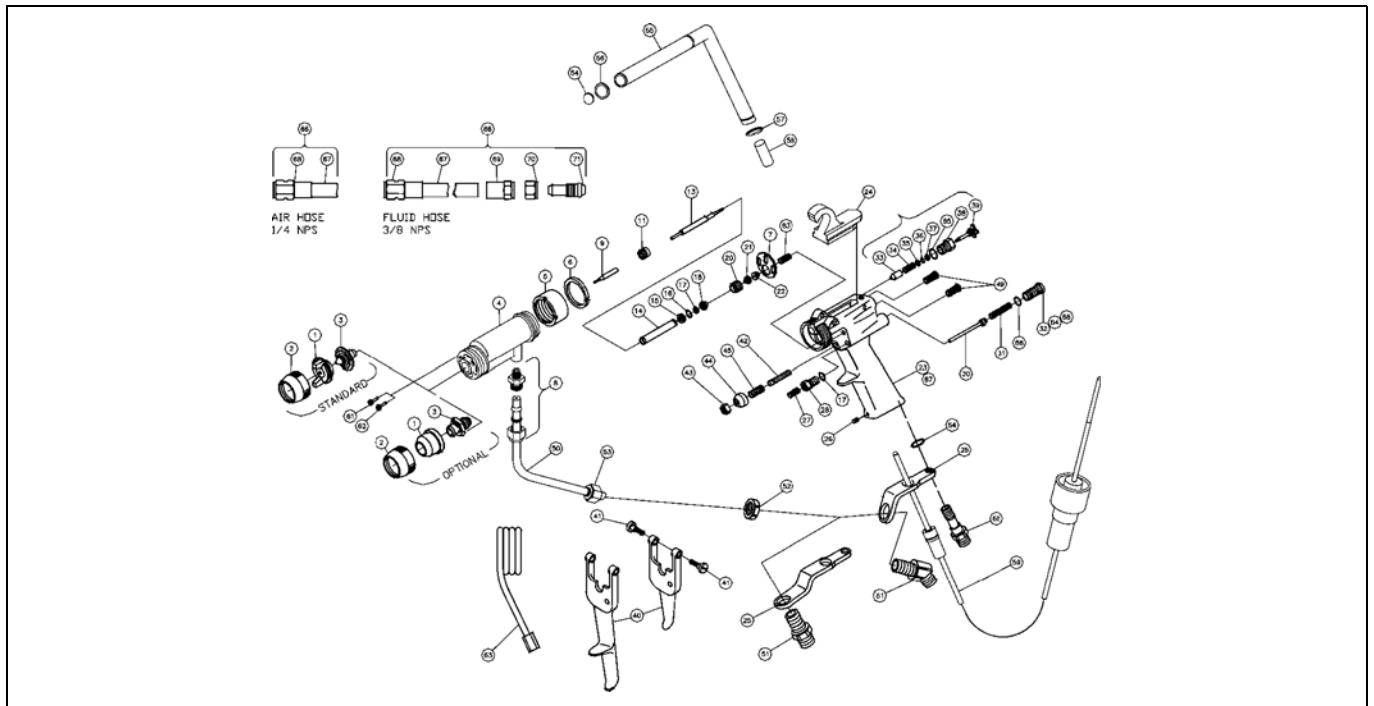
Spare parts

Ref.	Part no.	Description
1	75601-00	Air cap, fan jet HVLP
	4904-xx	Air cap fan jet, Air atomisation
	70899-00	Air cap, pencil jet, rotation
	LREA0002-00	Air cap, pencil jet, round
2	4903-00	Retaining ring, rotation
	73569-00	Retaining ring, HVLP, Air atomisation, and round
3	75600-01	Paint nozzle, fan jet HVLP
	4907-xx	Paint nozzle, fan jet, Air atomisation
	70898-00	Paint nozzle, pencil jet, rotation
	LREA0003-00	Paint nozzle, pencil jet, round
4	74652-00	Gun assembly REA IV
5	75322-00	Retaining nut, gun assembly
6	75325-00	Retaining ring, gun assembly
7	18872-00	Seal, gun assembly
8	LSF10025-20	Paint fitting
9	70430-00	Electrode compl.
11	78626-00	Seal compl., packing cartridge, non-adjustable, REA
13	78627-05	Needle shaft compl., REA
14	18842-02	Packing tube
15	78629-00	Rear needle seat retainer
16	7554-08	O-ring, solvent-resistant
17	10051-05	U-seal, spring tensioned, (2 x required)
18	78630-00	Spacer, seal
20	78631-00	Packing nut
21	78632-00	Locking nut, trigger adjustment
22	78633-00	Spring retainer, needle shaft
23	78641-00	Handle assembly, conductive plastic, REA
24	18824-00	Hook
25	20979-00	Material tube bracket: Offset (all triggers)
	70441-00	45° Material tube bracket: (only 2 finger trigger)
26	19603-10F	Adjusting screw
27	72474-01	Compression spring

Ref.	Part no.	Description
28	78635-00	Retaining nut, air valve
30	78639-00	Rod compl., air valve
31	78640-00	Compression spring
32	78634-00	Air valve cap spreader valve compl. (Ref. 33-39 and 85)
	18851-01	Spreader valve, air atomisation
33	75133-00	Jet regulating valve, HVLP
	18852-00	Needle, air atomisation
34	75132-00	Needle HVLP
35	18829-00	Compression spring
36	18833-00	Washer (2 x required)
37	13076-08	O-ring, solvent-resistant
38	18833-00	Washer
39	77019-00	Retaining nut, spreader valve
40	77018-00	Adjusting knob
	18871-00	Trigger, short, 2 finger (All holders)
	20974-00	Trigger, long, 4 finger (only for Offset holder)
41	73647-02	Adjusting screw (not shown)
	6144-00	Threaded pin (2 x required)

REA IV

(Solvent-based paint)



Spare parts

Ref.	Part no.	Description
42	20976-00	Adjusting screw
43	7733-07	Hexagon nut
44	77017-00	Knob, trigger stop
45	20977-00	Compression spring
49	77015-00	Valve spring cap (2 x required)
50	9704-16	Material tube for 20979-00: Offset bracket
51	70399-00	Paint tube connection for 20979-00 Offset bracket
	70442-00	Paint tube connection for 70441-00 45° bracket
52	10553-06	Locking nut, Offset and 45°
53	3587-03	Nut and ferrule
54	14061-01	Conductive plug
55	70397-01	Resistance housing
56	7554-11	O-ring, solvent-resistant
57	7554-10	O-ring, solvent-resistant
58	14061-01	Conductive plug
59	LREA4002-xx	High-voltage cable
61	74963-02	Reducer, air atomisation, black
62	74963-03	Reducer, HVLP, white
	75228-11	Paint tube, 093" ID
63	75228-0-12	Paint tube, 250" ID
	75228-0-13	Paint tube, 125" ID
64	7554-11	O-ring, solvent-resistant
65	18847-01	Connector, air inlet, 1/4" NPS (AG)
66	14614-xx	Air connector compl. (Ref. 67 - 71)
67	14615-xx	Paint fitting compl. (Ref. 67 - 71)
67	6919-xx	Air hose 5/16" ID (bulkhead lead-through - no nipples)
67	77031-xx	Paint hose 1/4" ID (bulkhead lead-through - no nipples)

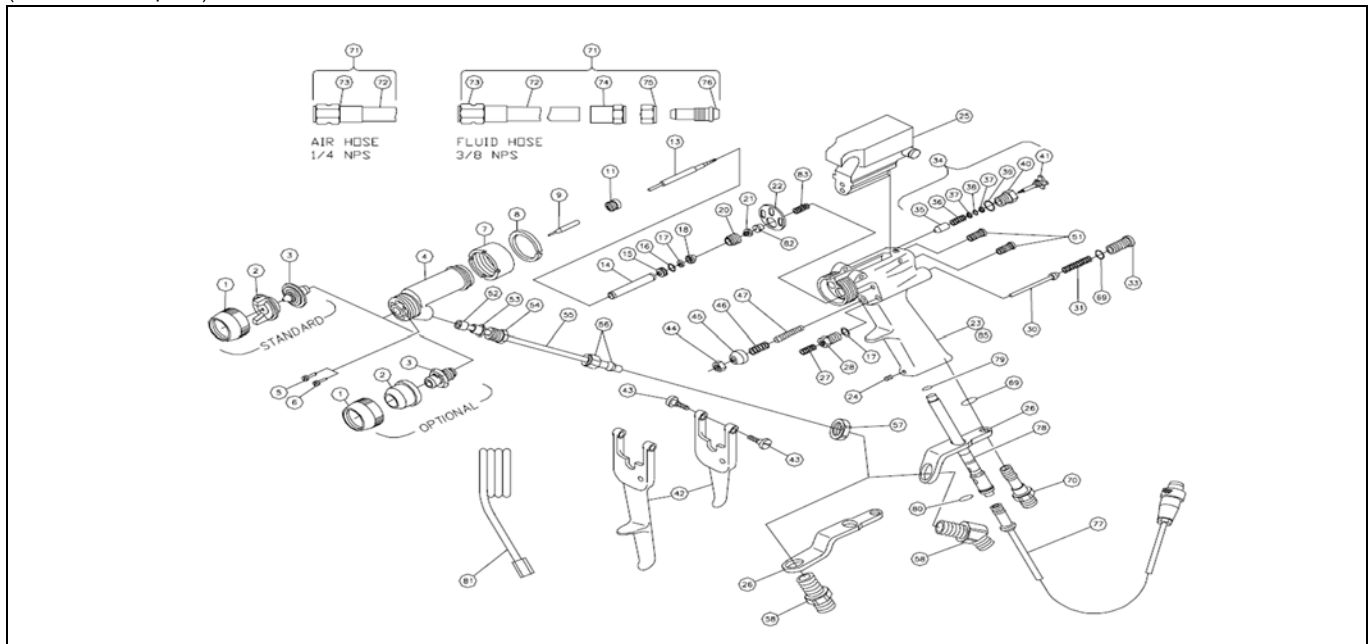
Ref.	Part no.	Description
68	LSFI0027-00	Connector for air hose (2 x required) (set only)
	14628-00	Connector for paint hose
69	7617-00	Ferrule for paint hose
70	14599-00	Nut for paint hose
71	7623-00	Hose nipple for paint hose
83	78636-00	Compression spring
84	SSG-8137	O-ring, solvent-resistant
85	72209-05	O-ring, solvent-resistant
86	7554-11	O-ring, solvent-resistant
87	78696-00	Handle, Soft-Touch

Accessories

	77070-30-1	High-voltage generator
	LKIT0011-00	REA Seal kit
	LKIT0011-02	REA IV Repair kit
	GC-100-K5	Protective sleeve for gun (Pack of 5)
	14490-00	Air filter set
	14614L50	Air hose
	14615L50	Paint hose
	75038-02	Spare-parts kit for gun assembly
	59972-00	Cascade grease
	72118-00	Push-Pull jet adjustment
	75734-01	HVLP conversion kit
	76102-00	Gun hanger
	76633-00	Conductive gloves
	75228-11/12/13	Paint tube

REA 90

(Solvent-based paint)



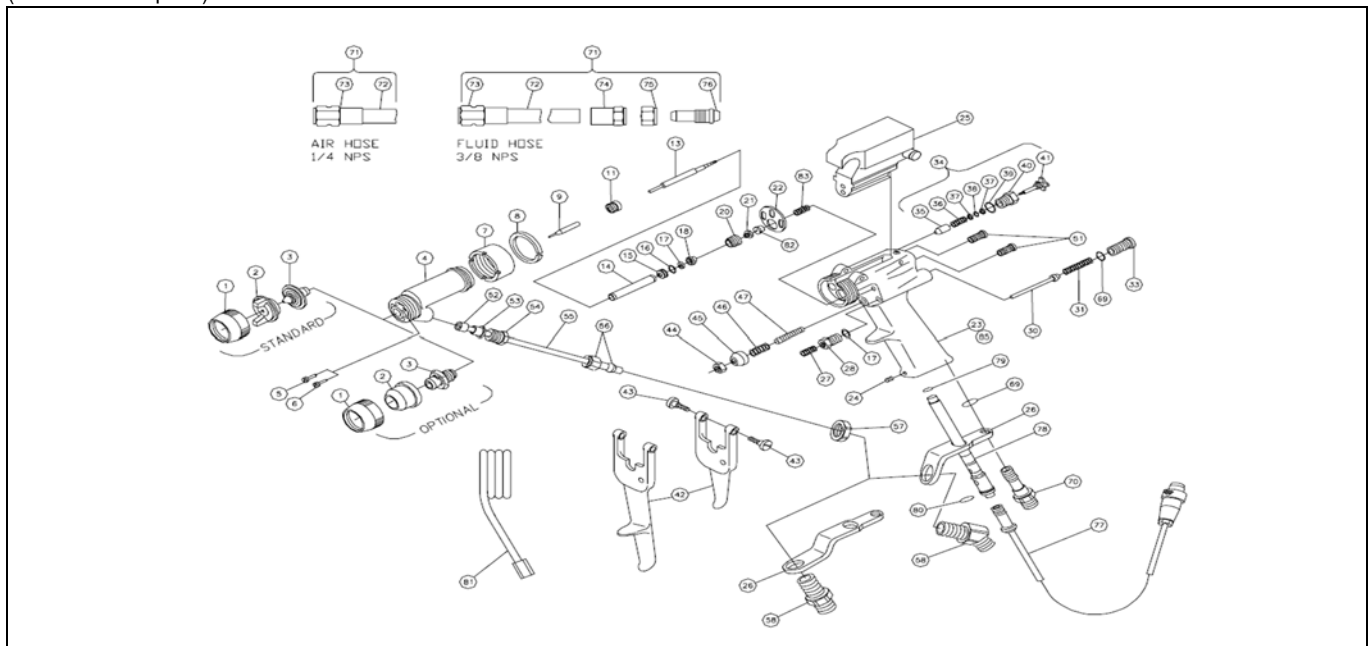
Spare parts

Ref.	Part no.	Description
1	4903-00	Retaining ring, rotation
	73569-00	Retaining ring, HVLP, air atomisation, and round
	75601-00	Air cap, fan jet HVLP
2	4904-xx	Air cap fan jet Air atomisation
	70899-00	Air cap, pencil jet, rotation
	LREA0002-00	Air cap, pencil jet round
3	75600-01	Paint nozzle, fan jet HVLP
	4907-xx	Paint nozzle, fan jet Air atomisation
	70898-00	Paint nozzle, pencil jet, rotation
	LREA0003-00	Paint nozzle, pencil jet, round
4	75791-00	Gun assembly REA-90
5	74963-02	Pressure reducer, air atomisation, black
6	74963-03	Pressure reducer, HVLP, white
7	75323-00	Retaining nut, gun assembly
8	75326-00	Retaining ring, gun assembly
9	70430-00	Electrode compl.
11	78626-00	Seal compl., packing cartridge, non-adjustable, REA
13	78627-04	Needle shaft compl., REA
14	18842-01	Packing tube
15	78629-00	Rear needle seat retainer
16	7554-08	O-ring, solvent-resistant
17	10051-05	U-seal, spring tensioned, (2 x required)
18	78630-00	Spacer, seal
20	78631-00	Packing nut
21	78632-00	Locking nut, trigger adjustment
22	72360-00	Seal, gun assembly
23	78641-00	Handle, assembly, conductive plastic, REA
24	19603-10F	Adjusting screw

Ref.	Part no.	Description
25	71202-00	Hook/transformer without On/Off switch
	71202-01	Hook/transformer with On/Off switch
	78086-00	Spare-parts kit for switch
	72532-00	Transformer glass, with thread
26	20979-00	Material tube bracket: Offset (all trigger)
	70441-00	45° Material tube bracket: (only 2 finger trigger)
27	72474-01	Compression spring
28	78635-00	Retaining nut, air valve
30	78639-00	Rod compl., air valve
31	78640-00	Compression spring
33	78634-00	Cap, air valve
34	18851-01	Spreader valve, air atomisation
	75133-00	Jet regulating, valve, HVLP
35	18852-00	Needle air atomisation
	75132-00	Needle, HVLP
36	18829-00	Compression spring
37	18833-00	Washer (2 x required)
38	13076-08	O-ring, solvent-resistant
39	72209-05	O-ring, solvent-resistant
40	77019-00	Retaining nut, spreader valve
41	77018-00	Adjusting knob
42	18871-00	Trigger short, 2 finger (All holders)
	20974-00	Trigger long, 4 finger (only for offset holder)
	73647-02	Adjusting screw (not shown)
43	6144-00	Threaded pin (2 x required)
44	7733-07	Hexagon nut
45	77017-00	Knob, trigger stop

REA 90

(Solvent-based paint)



Spare parts

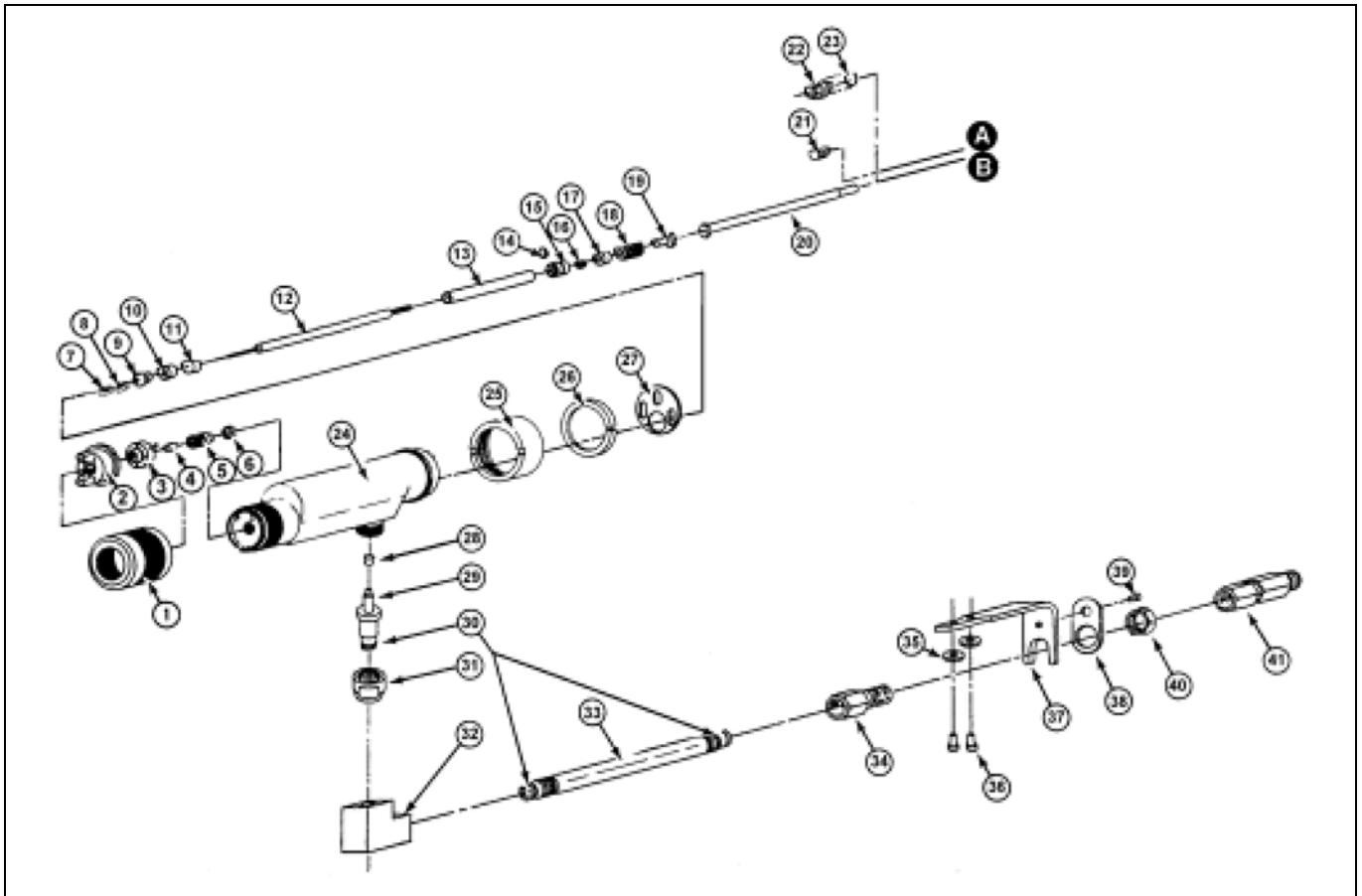
Ref.	Part no.	Description
46	20977-00	Compression spring
47	20976-00	Adjusting screw, trigger stop
51	77015-00	Valve spring cap (2 x required)
52	76993-00	Spacer
53	72308-00	Union nut
54	72309-00	Paint tube connection
55	9704-16	Material tube for 20979-00 Offset bracket
	9704-16	Material tube for 70441-00 45° bracket
56	3587-03	Union nut
57	10553-06	Locking nut, offset and 45°
58	70399-00	Paint tube connection for 20979-00 Offset bracket
	70442-00	Paint tube connection for 45° bracket
69	7554-11	O-ring, solvent-resistant (2 x required)
70	18847-01	Connector, air inlet, 1/4" NPS (AG)
71	14614-xx	Air connection compl. (Ref. 72 - 76)
	14615-xx	Paint connection compl. (Ref. 72 - 76)
72	6919-xx	Air hose 5/16" ID (bulkhead lead-through - no nipples)
	77031-xx	Paint hose 1/4" ID (bulkhead lead-through - no nipples)
73	LSFI0027-00	Connector for air hose (2 x required) (set only)
	14628-00	Connector for paint hose (2 x required) (set only)
74	7617-00	Ferrule for paint hose
75	14599-00	Nut for paint hose
76	7623-00	Hose nipple for paint hose
77	78084-xx	Low-voltage cable for Standard 9040/MGS
	78085-xx	Low-voltage cable for Aviator - All devices
	76875-13	Plug assembly for Standard 9040
78	76875-12	Plug assembly for Aviator
	76875-11	Plug assembly for MGS
79	7554-08	O-ring, solvent-resistant
80	7554-12	O-ring, solvent-resistant

Ref.	Part no.	Description
	75228-11	Paint tube, 093" ID
81	75228-12	Paint tube, 250" ID
	75228-13	Paint tube, 125" ID
82	78633-00	Spring retainer
83	78636-00	Compression spring
84	SSG-8137	O-ring, solvent-resistant
85	78696-00	Handle, Soft-Touch

Accessories

	76580-72001	Control unit
	LKIT0011-00	REA Seal kit
	LKIT0011-01	REA90 Repair kit
	GC-100-K5	Protective sleeve for gun (Pack of 5)
	75228-01/02/03	Paint tube
	75038-06	Spare-parts kit for gun assembly
	71202-01	Hook/transformer with switch
	71202-00	Hook/transformer without switch
	14490-00	Air filter set
	14614-BB	Air hose
	14615-BB	Paint hose
	59972-00	Cascade grease
	72118-00	Push-Pull jet adjustment
	75734-01	HVLP conversion kit
	76102-00	Gun hanger
	76633-00	Conductive gloves
	75980S36211	Aviator, pneumatic voltage supply for cascade guns

REM-A

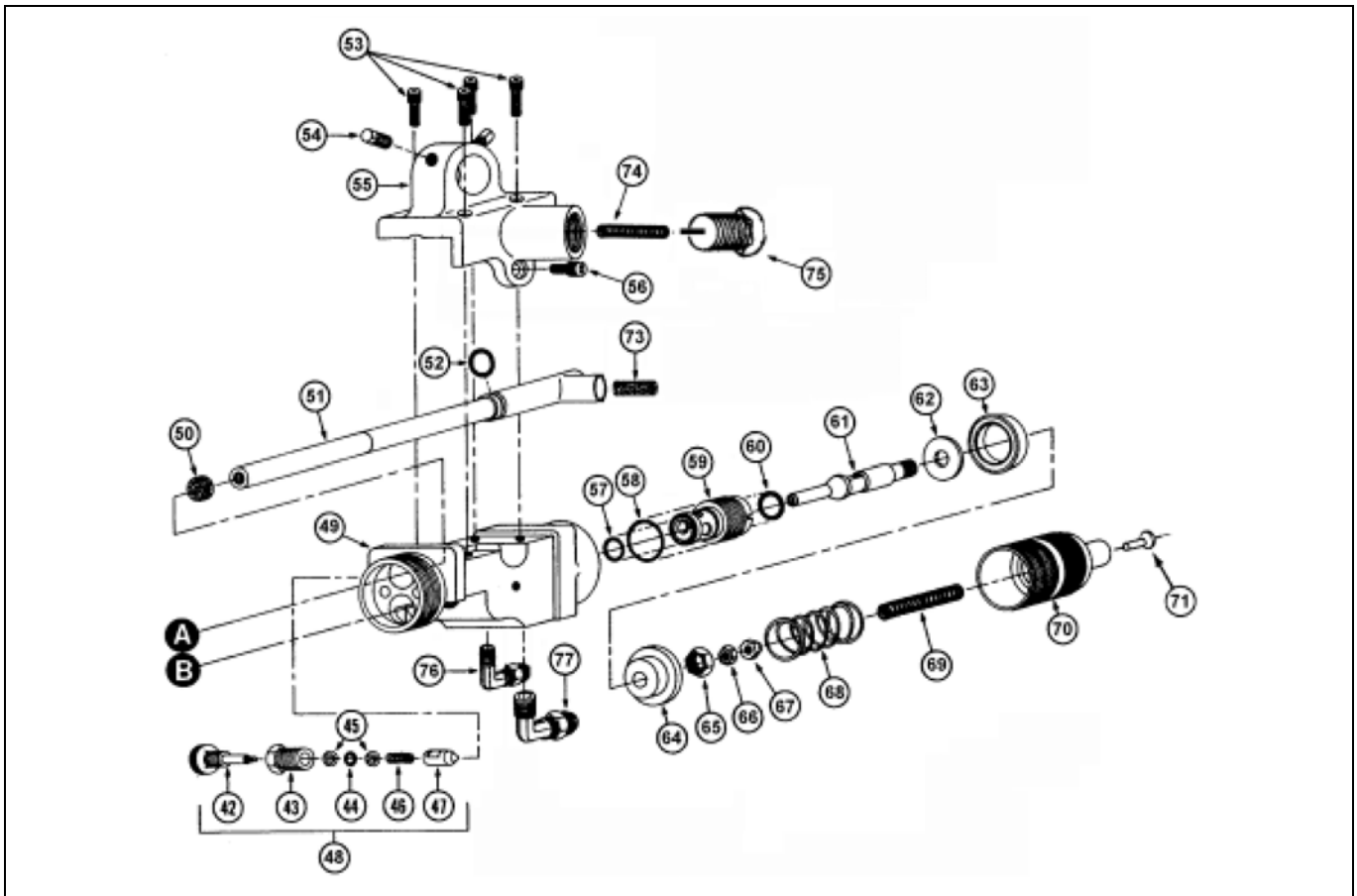


Spare parts

Ref.	Part no.	Description
1*		Retaining nut
2*		Air cap/nozzle holder
3*		Fan jet nozzle
		Pencil jet nozzle
4	11844-02	Nozzle seal
5	72464-00	Valve screw
5.1	509205	Pos. 4 + 5 (Kit)
6	72375-03	PTFE seal
7**	73350-00	Valve ball
8**	73351-00	Locknut
9**	73344-00	Pressure ring
10**	73345-00	Gasket
11**	73346-00	Support ring
12**	73352-00	Needle shaft
13**	72378-01	Spacer tube
14**	72209-05	O-ring
15**	73347-00	Seal holder
16**	74330-00	U seal
17**	73348-00	Spacer ring
18**	73354-00	Packing screw
19**	72374-00	Adjusting nut
20	74192-00	Valve rod
21	9937-12C	Screw set
22	20053-00	Nut
23	13076-10	O-ring, PTFE
24	75761-00	Gun assembly
25	LSMM0002-00	Retaining nut

Ref.	Part no.	Description
26	72494-00	Snap ring
27	18872-00	Seal
28	72375-02	PTFE seal
29	74085-00	Connection fitting
30	72209-04	PTFE seal
31	72357-00	Retaining nut
32	74086-00	Elbow connection
33	73760-00	Paint tube
34+	72381-01	Filter
35	7734-04	Washers (2x)
36	8212-16F	Screws (2x)
37	74088-00	Bracket
38	72367-00	Retaining ring
39	72406-01	Screw
40	72382-01	Retaining nut
41	72400-00	Connection
*	See Table	Nozzle selection tables
**	73353-01	Needle shaft compl.
+	508098	Paint filter compl. 50 mesh/297 µm
+	508101	Paint filter compl. 100 mesh/149 µm
+	508110	Paint filter compl. 200 mesh/74 µm
+	233137	Replacement strainer, 50 mesh
+	233145	Replacement strainer, 100 mesh
+	233153	Replacement strainer, 200 mesh

REM-A



Spare parts

Ref.	Part no.	Description
42	18840-00	Retaining screw
43	18853-00	Rod assembly
44	13076-08	O-ring
45	18833-00	Washers (2x)
46	18829-00	Spring
47	18852-00	Valve needle
48	18851-00	Metering valve compl.
49	20947-01	Drive housing
50	14061-05	Contact sponge
51	70397-02	Resistance housing
52	7554-11	O-ring
53	8212-20C	Screws (4x)
54	8666-16C	Mounting screws (2x)
55	20062-00	Drive housing cover
56	8212-16C	Screw
57	13076-13	O-ring, PTFE
58	7554-33	O-ring, Viton
59	20054-00	Bearing
60	7554-28	O-ring, Viton
61	20055-00	Piston shaft
62	20057-00	Washer
63	7723-06	Radial packing ring
64	20056-00	Piston
65	7733-44	Nut
66	7733-07	Nut
67	20942-00	Cap nut

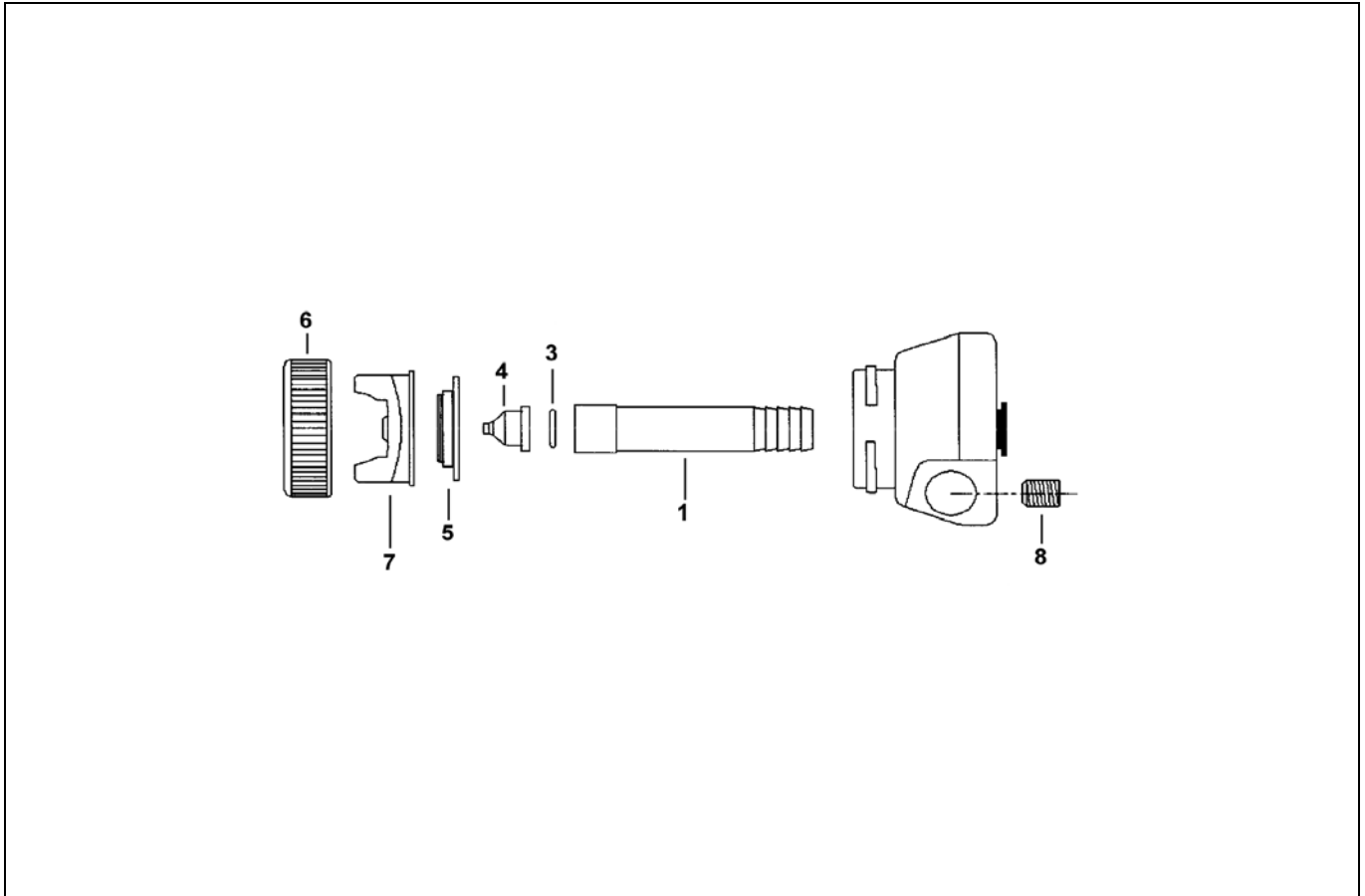
Ref.	Part no.	Description
68	9334-00	Spring
69	17615-00	Spring
70	20943-00	Piston housing
71	7730-08F	Screw
73	14061-08	Contact sponge
74	73359-00	Spring
75	101953	Locking screw
76	Connections	Control air
	ESTA-408	Elbow, 1/8"~4mm
	ESTA-408-2	Elbow, 1/8"~6mm
77	ESTA-409	Elbow, 1/8"~8mm
	Connections	Auxiliary air
	ESTA-408-3	Elbow, _"~6mm
	ESTA-409-1	Elbow, _"~8mm
	ESTA-409-2	Elbow, _"~12mm

Accessories

59972-00	High-voltage grease
JAC-90-D	Nozzle cleaning needle
505790	Packing wrench
509310	Packing wrench
507121	Nozzle wrench
504009	Fork wrench
11842-18	Special wrench for valve
19749-00	Special wrench for retaining nut

SCORPION

(Trans-Tech)



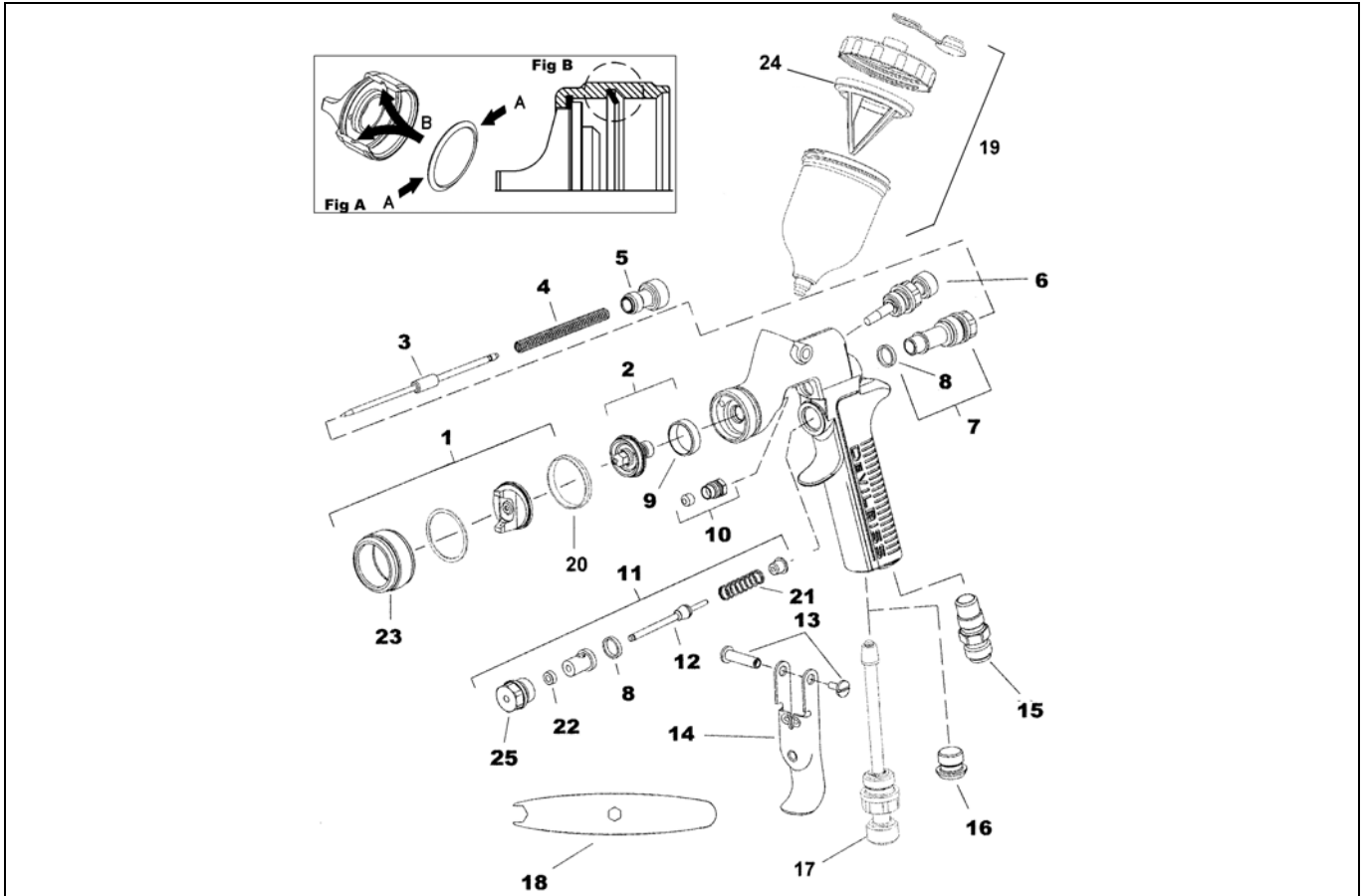
Spare parts

Ref.	Part no.	Description
1	SPA-34	Material tube
3	S-28218-K5	O-Ring (Pack of 5)
4	SPA-255-...	Nozzle see table
5	SPA-35	Air distributing ring

Ref.	Part no.	Description
6	SPA-36	Retaining ring
7	SPA-100-E22	Air cap E22
8	SSF-2048-K5	Locking screw (Pack of 5)

SRI Gravity spray gun

(HVLV or Trans-Tech)



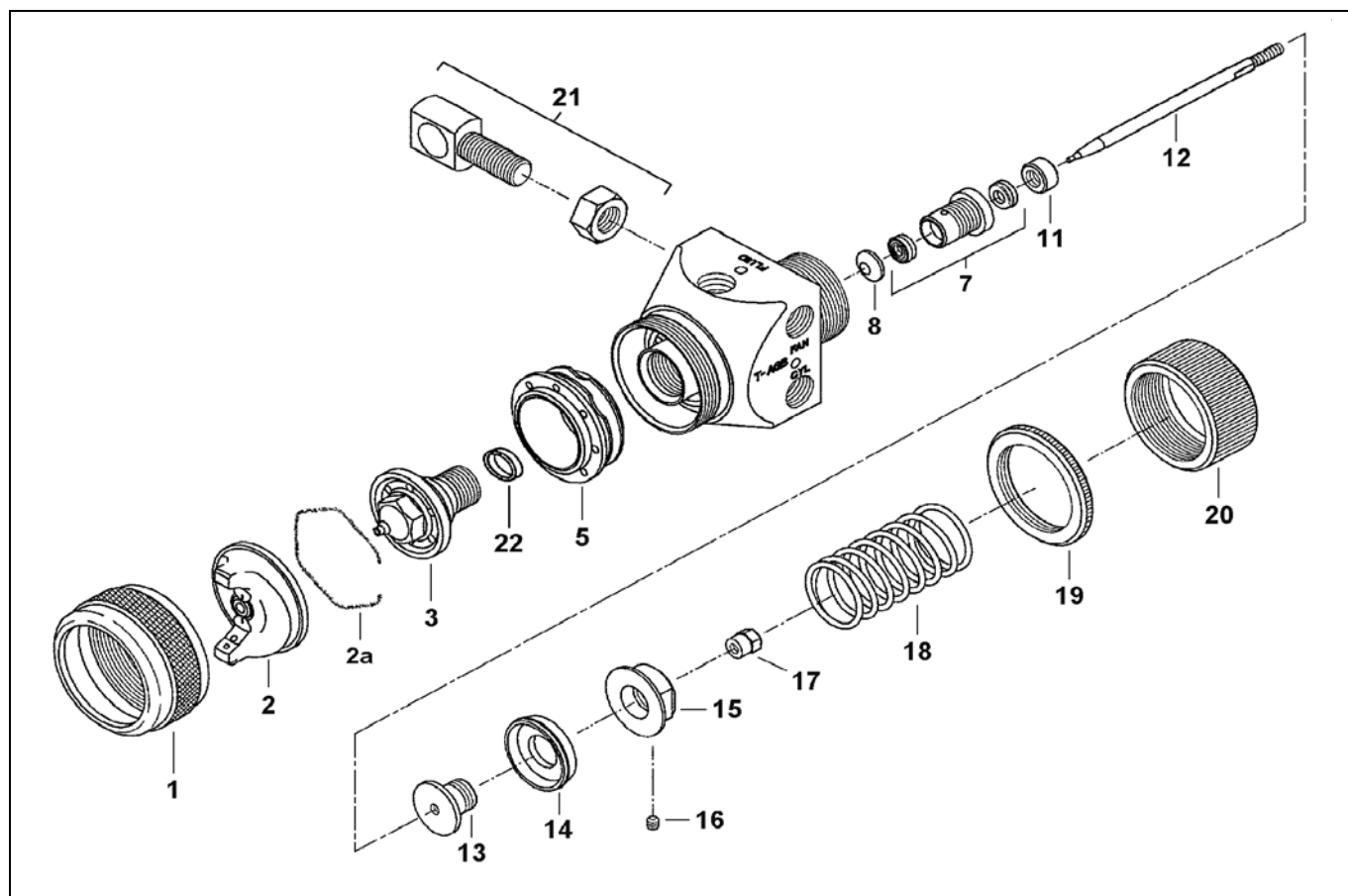
Spare parts

Ref.	Part no.	Description
	SRI-407-210	Air cap Trans-Tech
1	SRI-407-205	Air cap HVLV
	SRI-407-200	Air cap – pencil jet
2+	SRI-2-...-K	Nozzle see table
3+	SRI-37-K	Needle for 0.7/0.8 mm nozzle
	SRI-3-K	Needle for 1.0/1.2 mm nozzle
4*	SRI-18-K2	Needle spring (Pack of 2)
5	SRI-19-K2	Needle adjusting knob (Pack of 2)
6	SRI-401-K	Spreader valve
7	SRI-17-K	Body bushing and seal kit
8*	SRI-16-K5	Seal (Pack of 5)
9*	SRI-6-K5	Separator (Pack of 5)
10*	SRI-411-K3	Needle packing (Pack of 3)
11	SRI-404-K	Air valve, compl.
12		Air valve stem assembly
13	SRI-412-K	Trigger stud and screw kit
14	SRI-9-K	Trigger
15	SRI-20-K	Air inlet adapter 1/4"
16	SRI-21	Blanking plug
17	SRI-402-K	Air flow valve
18*	SRI-50-K2	Spanner (Pack of 2)
19	SRI-510	Cup and lid

Ref.	Part no.	Description
20*	SRI-35-K5	Air cap seal
21*	SRI-23-K2	Air valve spring
22*		Air-valve Seal
23		Retaining ring
24	SRI-42-K3	Filter (Pack of 3)
25		Air valve body

Parts marked with * are contained in the service kit -SRI-416 and parts marked with + are contained in the service kit SRI-440-07.

T-AGB



Spare parts

Ref.	Part no.	Description
1	MBC-368	Retaining ring
2	AV-1239-797	Air cap
2a	JGA-156-K5	Spring clip (Pack of 5)
3	AV-651-FF	Nozzle with plastic insert 1.4 mm
5	MBC-142-1	Air distributing ring
7	T-AGB-10-1	Needle packing, compl.
8	T-AGB-11-3	Valve plate
11	T-AGB-14	Packing screw
12	T-JGA-402-FF	Needle stainless steel
	T-JGA-422-FZ	Needle ceramic for nozzles 1.1/1.2/1.4 mm
13	T-AGB-101	Flange
14	T-AGB-102	Piston collar
15	T-AGB-103	Piston holder
16	T-AGB-104	Fillister head screw
17	T-AGB-105	Locknut
18	T-AGB-106	Needle spring

Ref.	Part no.	Description
19	T-AGB-127	Locknut
20	T-AGB-128	Adjusting screw
21	T-AGB-109	Gun pin
22	T-AGB-120-K5	Seal (Pack of 5)



Finishing Brands



Finishing Brands (UK) Limited
Ringwood Road, Bournemouth, Dorset
ENGLAND BH11 9LH
Tel: +44 (0) 1202 571111
Fax: +44 (0) 1202 573488
Email: marketing-uk@finishingbrands.eu



Finishing Brands Germany GmbH
Justus-von-Liebig-Strasse 31,
63128 Dietzenbach GERMANY
Tel: +49 (0) 6074-403-233
Fax: +49 (0) 6074-403-281
Email: marketing-de@finishingbrands.eu



Surfaces et Finitions
163-171 Avenue des Auréats, BP 1453
26014 Valence cedex FRANCE
Tel: +33 (0) 4 75 75 27 00
Fax: +33 (0) 4 75 75 27 59
Email: marketing-fr@finishingbrands.eu



www.finishingbrands.eu